

PLEASE CHECK WWW.MOLEX.COM FOR LATEST PART INFORMATION

Part Number: [0836199003](#)
Status: **Active**
Overview: [commercial_microd](#)
Description: 1.27mm (.050") Pitch Ulti-Mate™ Commerical Micro D, Dual Stack, PCB Mount, Right Angle Plug, 18 Circuits

Documents:

[3D Model](#) [Product Specification PS-83421-001 \(PDF\)](#)
[Drawing \(PDF\)](#) [RoHS Certificate of Compliance \(PDF\)](#)

General

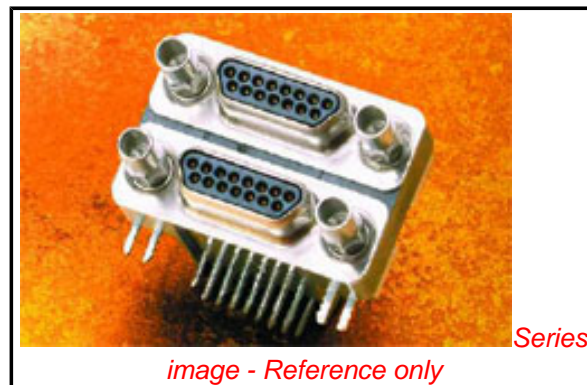
Product Family	I/O Connectors
Series	83619
Application	Wire-to-Board
Comments	Dual Stack
Component Type	Plug
Overview	commercial_microd
Product Literature Order No	USA-063
Product Name	Commercial Micro-D
Type	N/A

Physical

Boot Color	N/A
Circuits (Loaded)	18
Circuits (maximum)	18
Durability (mating cycles max)	500
Gender	Plug
Lock to Mating Part	Yes
Material - Plating Mating	Gold
Number of Rows	2
Orientation	Right Angle
PC Tail Length (in)	0.110 In
PC Tail Length (mm)	2.79 mm
PCB Locator	Yes
PCB Retention	Yes
PCB Thickness Recommended (in)	0.060 In
PCB Thickness Recommended (mm)	1.52 mm
Packaging Type	Tube
Panel Mount	Yes
Pitch - Mating Interface (in)	0.050 In
Pitch - Mating Interface (mm)	1.27 mm
Pitch - Term. Interface (in)	0.050 In
Pitch - Term. Interface (mm)	1.27 mm
Plating min: Mating (µin)	15
Plating min: Mating (µm)	0.38
Polarized to Mating Part	Yes
Polarized to PCB	Yes
Ports	2
Surface Mount Compatible (SMC)	No
Temperature Range - Operating	-40°C to +125°C
Termination Interface: Style	Through Hole
Waterproof / Dustproof	No
Wire Size AWG	N/A

Electrical

Current - Maximum per Contact	1A
-------------------------------	----



EU RoHS

**ELV and RoHS
Compliant**
REACH SVHC
 Not Reviewed
**Halogen-Free
Status**
 Not Reviewed

China RoHS



**Need more information on product
environmental compliance?**

Email productcompliance@molex.com
 For a multiple part number RoHS Certificate of
 Compliance, [click here](#)

Please visit the [Contact Us](#) section for any
 non-product compliance questions.

Search Parts in this Series

[83619Series](#)

Mates With

[83421 Cable Assembly](#)

Shield Type	Full Shield
Shielded	Yes
Voltage - Maximum	350V AC

Solder Process Data

Max. Cycles at Max. Process Temperature	0
---	---

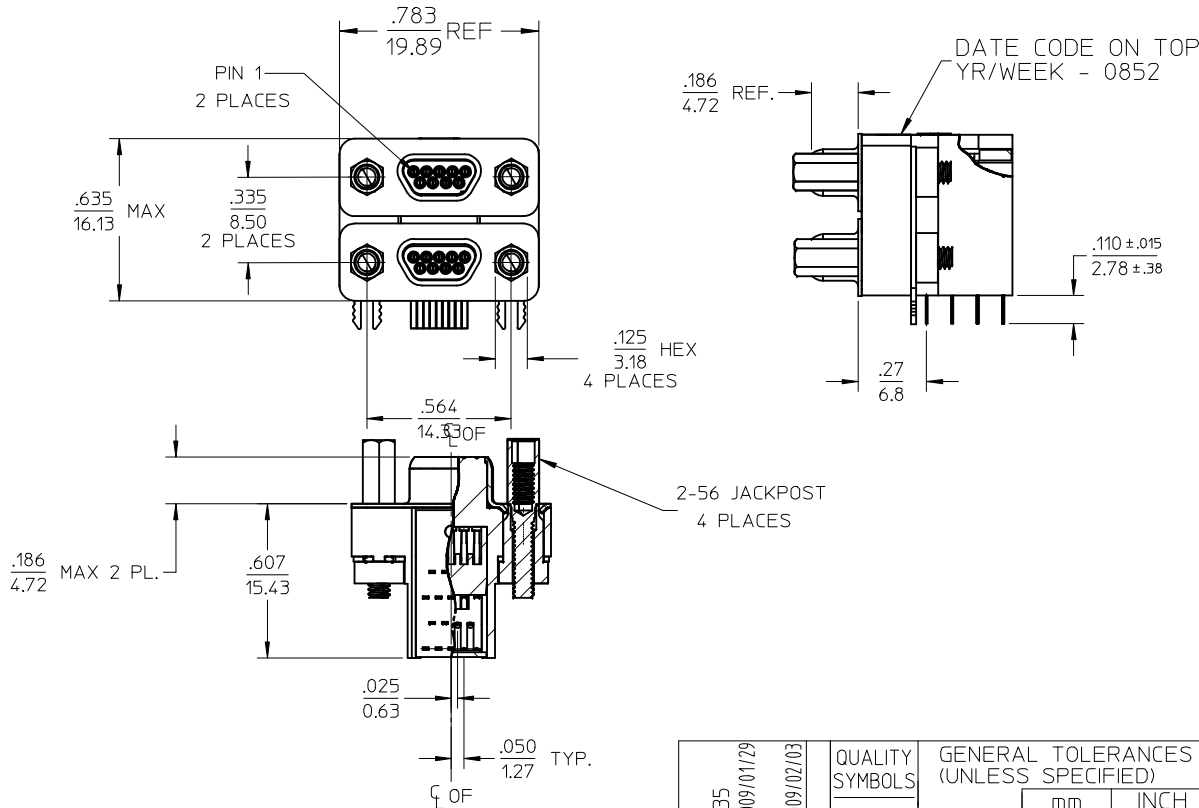
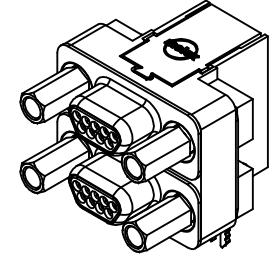
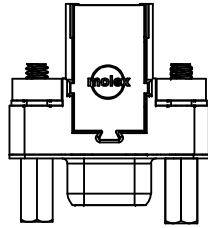
Material Info**Reference - Drawing Numbers**

Packaging Specification	PK-83619-008
Product Specification	PS-83421-001
Sales Drawing	SD-83619-008

This document was generated on 05/26/2010

PLEASE CHECK WWW.MOLEX.COM FOR LATEST PART INFORMATION

10	9
MATERIAL NO. 836199003	ENGINEERING NO. 83619-9003

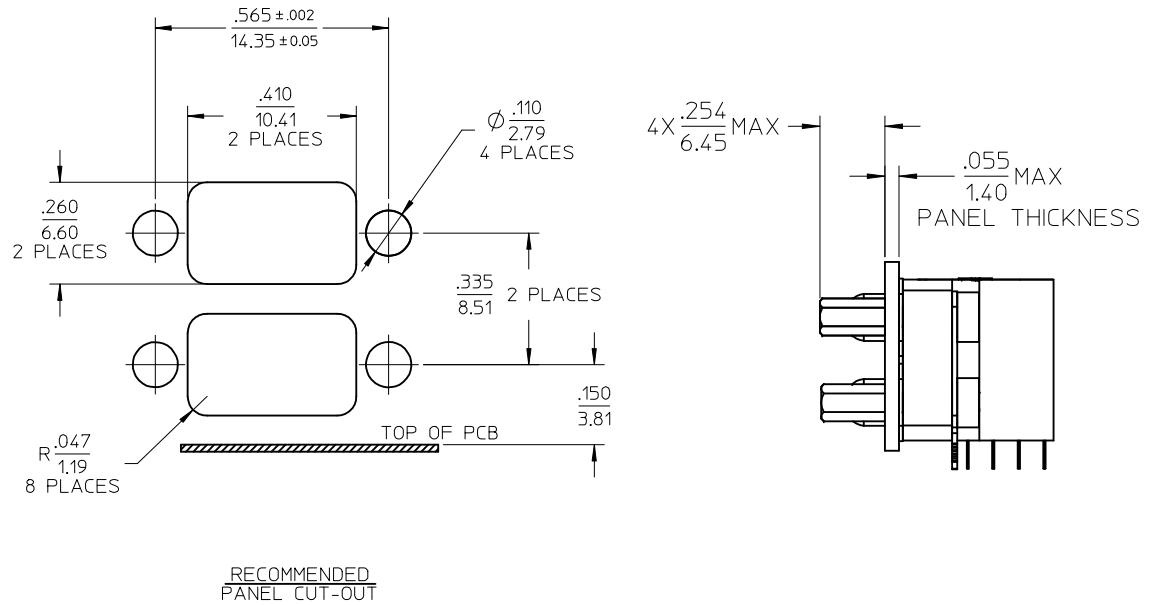
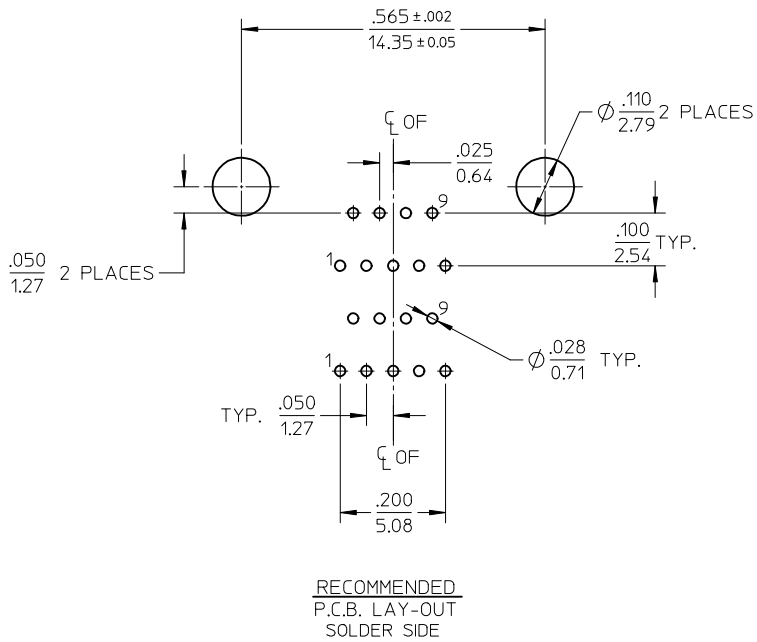


SALES DRAWING

- 4. RoHS COMPLIANT
- 3. FOR PRODUCT SPEC SEE PS-83421-001
- 2. SEE SHEET 2 OF 2 FOR P.C.B. LAYOUT AND PANEL CUT-OUT DIMENSIONS.
- 1. MARKING: NONE.
- NOTES UNLESS OTHERWISE SPECIFIED

REDRAWN EC NO: WNA2009-0335 DRWN: BRUPERT 2009/01/29 CHKD: APPR: JF MURPHY 2009/02/03 DESCRIPTION	QUALITY SYMBOLS	GENERAL TOLERANCES (UNLESS SPECIFIED)	DIMENSION STYLE	SCALE	DESIGN UNITS	THIRD ANGLE PROJECTION																	
	$\nabla=0$ $\sphericalangle=0$	<table border="1"> <thead> <tr> <th></th> <th>mm</th> <th>INCH</th> </tr> </thead> <tbody> <tr> <td>4 PLACES</td> <td>± ---</td> <td>± ---</td> </tr> <tr> <td>3 PLACES</td> <td>± ---</td> <td>± .005</td> </tr> <tr> <td>2 PLACES</td> <td>± 0.13</td> <td>± .01</td> </tr> <tr> <td>1 PLACE</td> <td>± 0.25</td> <td>± ---</td> </tr> </tbody> </table>		mm	INCH	4 PLACES	± ---	± ---	3 PLACES	± ---	± .005	2 PLACES	± 0.13	± .01	1 PLACE	± 0.25	± ---	IN/MM	2:1	INCH			
		mm	INCH																				
	4 PLACES	± ---	± ---																				
3 PLACES	± ---	± .005																					
2 PLACES	± 0.13	± .01																					
1 PLACE	± 0.25	± ---																					
		<table border="1"> <thead> <tr> <th>DRAWN BY</th> <th>DATE</th> <th>TITLE</th> </tr> </thead> <tbody> <tr> <td>JLOMASTR</td> <td>04/09/20</td> <td>DUAL CONN PLG RT ANG, COMM-D, SIZE 9</td> </tr> <tr> <td>CHECKED BY</td> <td>DATE</td> <td></td> </tr> <tr> <td>RDEROSS</td> <td>04/09/27</td> <td></td> </tr> <tr> <td>APPROVED BY</td> <td>DATE</td> <td></td> </tr> <tr> <td>RDEROSS</td> <td>04/09/29</td> <td></td> </tr> </tbody> </table>	DRAWN BY	DATE	TITLE	JLOMASTR	04/09/20	DUAL CONN PLG RT ANG, COMM-D, SIZE 9	CHECKED BY	DATE		RDEROSS	04/09/27		APPROVED BY	DATE		RDEROSS	04/09/29				
DRAWN BY	DATE	TITLE																					
JLOMASTR	04/09/20	DUAL CONN PLG RT ANG, COMM-D, SIZE 9																					
CHECKED BY	DATE																						
RDEROSS	04/09/27																						
APPROVED BY	DATE																						
RDEROSS	04/09/29																						
		DRAFT WHERE APPLICABLE MUST REMAIN WITHIN DIMENSIONS	MATERIAL NO. SEE CHART	DOCUMENT NO. SD-83619-008	SHEET NO. 1 OF 2																		

10	9	8	7	6	5	4	3	2	1
MATERIAL NO.	ENGINEERING NO.								
836199003	83619-9003								



REDRAWN EC NO: WNA2009-0335 DRWN: BRUPERT 2009/01/29 CHKD: APPR: J MURPHY 2009/02/03 REV	QUALITY SYMBOLS	GENERAL TOLERANCES (UNLESS SPECIFIED) <table border="1"> <tr> <td></td> <td>mm</td> <td>INCH</td> </tr> <tr> <td>4 PLACES</td> <td>± .13</td> <td>± .005</td> </tr> <tr> <td>3 PLACES</td> <td>± .13</td> <td>± .01</td> </tr> <tr> <td>2 PLACES</td> <td>± .13</td> <td>± .01</td> </tr> <tr> <td>1 PLACE</td> <td>± 0.25</td> <td>± .01</td> </tr> </table> ANGULAR ± 1/2°		mm	INCH	4 PLACES	± .13	± .005	3 PLACES	± .13	± .01	2 PLACES	± .13	± .01	1 PLACE	± 0.25	± .01	DIMENSION STYLE IN/MM	SCALE 2:1	DESIGN UNITS INCH	THIRD ANGLE PROJECTION
			mm	INCH																	
	4 PLACES		± .13	± .005																	
	3 PLACES		± .13	± .01																	
2 PLACES	± .13	± .01																			
1 PLACE	± 0.25	± .01																			
DESCRIPTION	DRAWN BY JLOMASTR	DATE 04/09/20	TITLE DUAL CONN PLG RT ANG, COMM-D, SIZE 9																		
	CHECKED BY RDEROSS	DATE 04/09/27	MOLEX INCORPORATED																		
	APPROVED BY RDEROSS	DATE 04/09/29	MATERIAL NO. SEE CHART	DOCUMENT NO. SD-83619-008	SHEET NO. 2 OF 2																