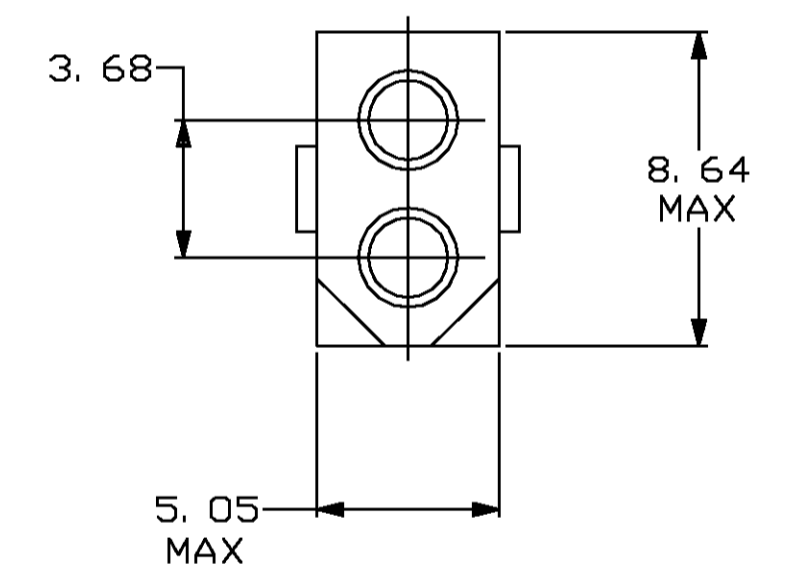
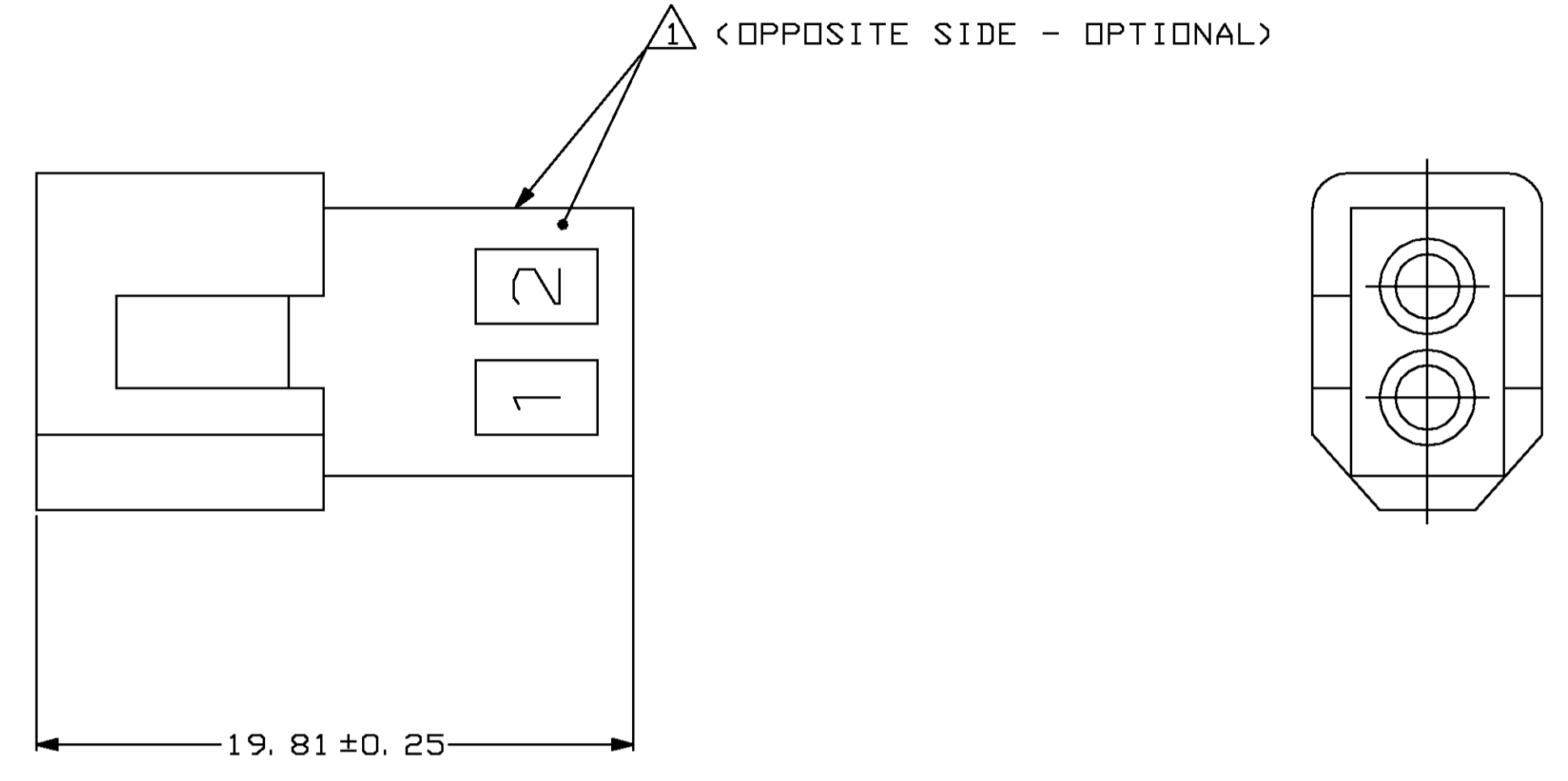
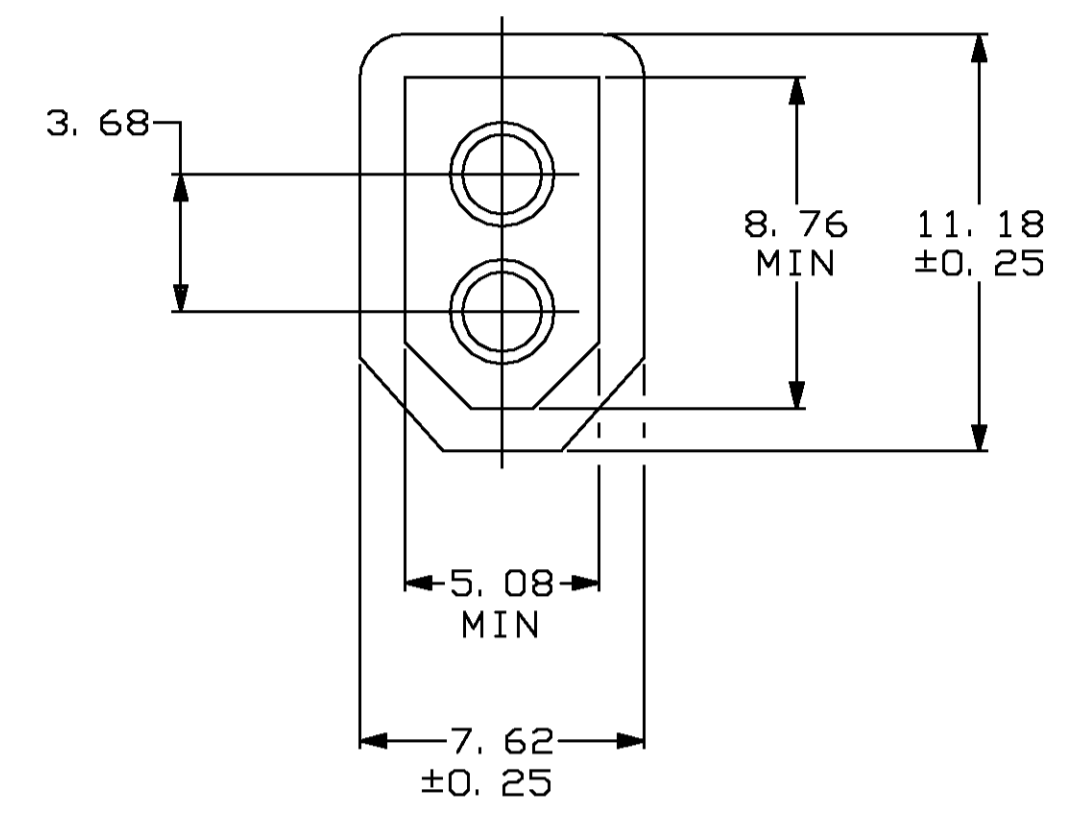
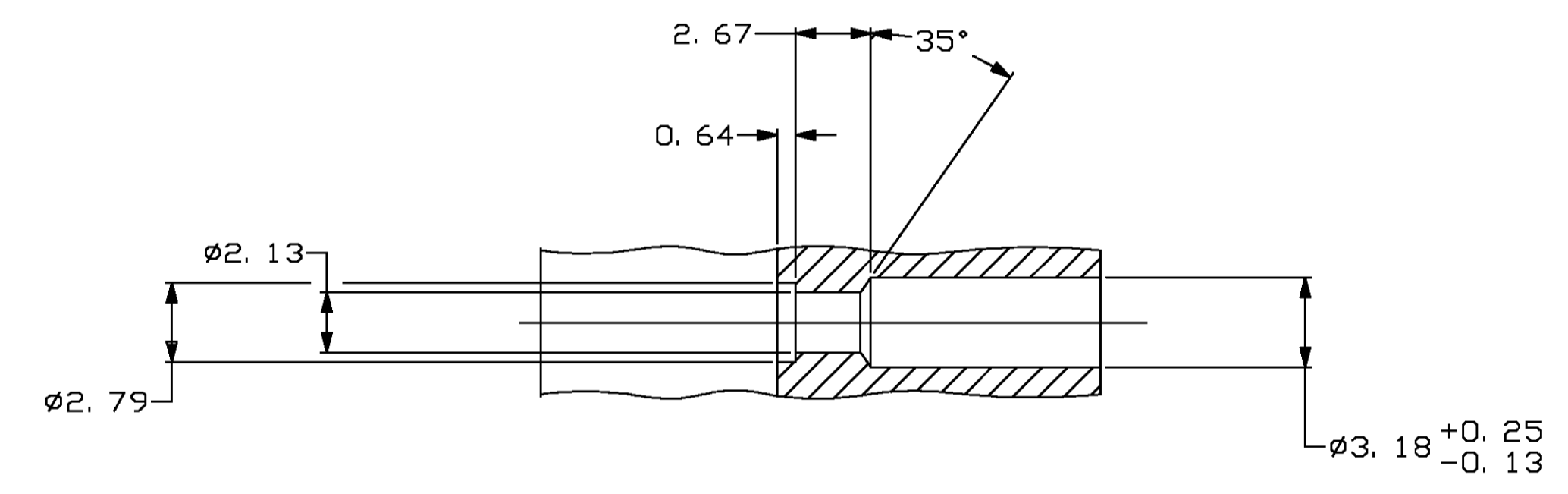


△ AMP LOGO AND CAVITY NUMBER LOCATED ON EITHER SURFACE.



MATING CONNECTOR INTERFACE



TYPICAL PLUG CAVITY SECTION
 (DIMENSIONS REFERENCE ONLY)

2.67	.105	5.08	.200	19.81	.780
2.13	.084	5.05	.199	11.18	.440
0.64	.025	3.68	.145	8.76	.345
0.25	.010	3.18	.125	8.64	.340
0.13	.005	2.79	.110	7.62	.300
MM	IN	MM	IN	MM	IN

CONVERSION TABLE

METRIC

THIS DRAWING IS A CONTROLLED DOCUMENT.		DWG	L. McEACHIN, Sr.	30MAY00
		CHK	S. RIDGILL	30MAY00
		APVD	S. RIDGILL	30MAY00
DIMENSIONS: MM		NAME		
TOLERANCES UNLESS OTHERWISE SPECIFIED:		PLUG, 2 CIRCUIT, .062 PIN AND SOCKET		
0 PLC	±	APPLICATION SPEC		
1 PLC	±	WEIGHT		
2 PLC	±	SCALE 5:1		
3 PLC	± 0.13	SHEET 1 OF 1		
4 PLC	±	REV G1		
ANGLES	±	RESTRICTED TO		
FINISH	-	A1 00779 C=770340		
MATERIAL	NYLON, UL 94V-2	CUSTOMER DRAWING		

BLACK	770340-3
NATURAL	770340-1
COLOR	PART NO

