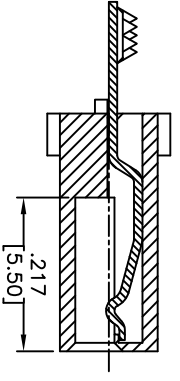
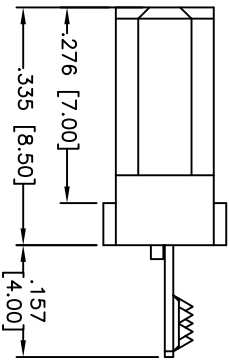
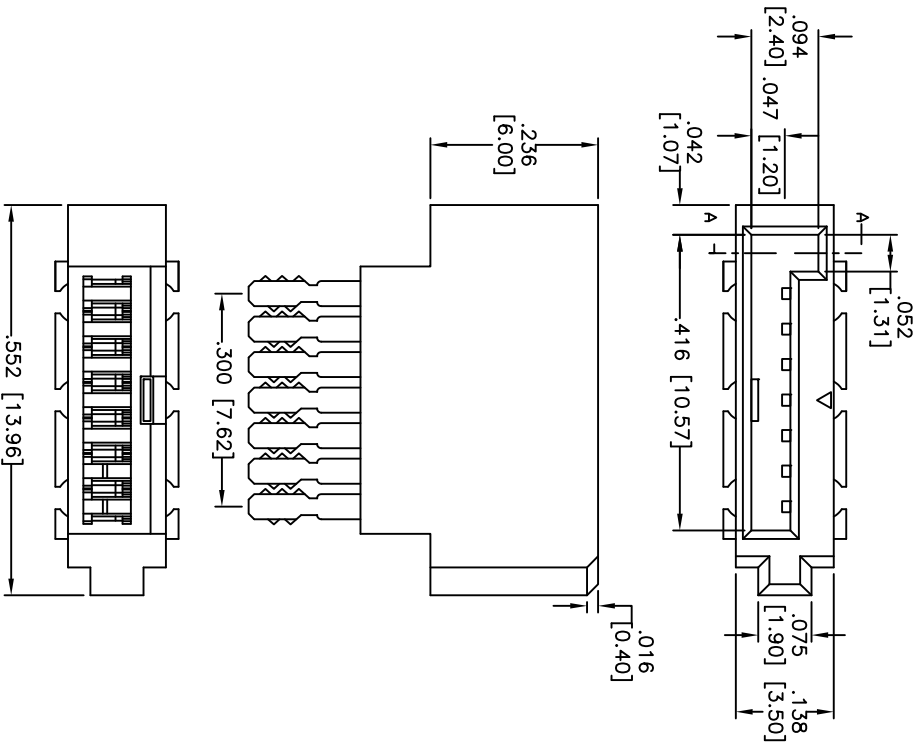


Rev	AWO #	Description	Date	Appr
-	9742	RELEASED	9/18/09	

APPROVED: \_\_\_\_\_  
 DATE: \_\_\_\_\_ TITLE: \_\_\_\_\_



SECTION A-A

UNLESS OTHERWISE SPECIFIED  
 ALL DIMENSIONS ARE INCHES [MM]  
 TOLERANCES: EXCEPT AS NOTED  
 INCHES HOLES  
 .X ± .10 Ø.X ± .10  
 .XX ± .020 Ø.XXX ± .015  
 .XXX ± .015 Ø.XXXX ± .010

**ADAM TECH**  
 909 Rahway Avenue, Union, NJ 07083  
 Phone: 908-687-5000 Fax: 908-687-5710

SATA CONNECTOR, 7P

APPROVALS	DATE
DRAWN DY	9/18/09
CHECKED	
APPROVED	

SIZE PART NO.	SATA-Z-PL-CM	REV.	
REF: S00094C	SCALE: NTS	SHEET 1 OF 1	

Environmental:  
 Lead free, RoHS compliant



6 5 4 3 2 1

A B C D A B C D