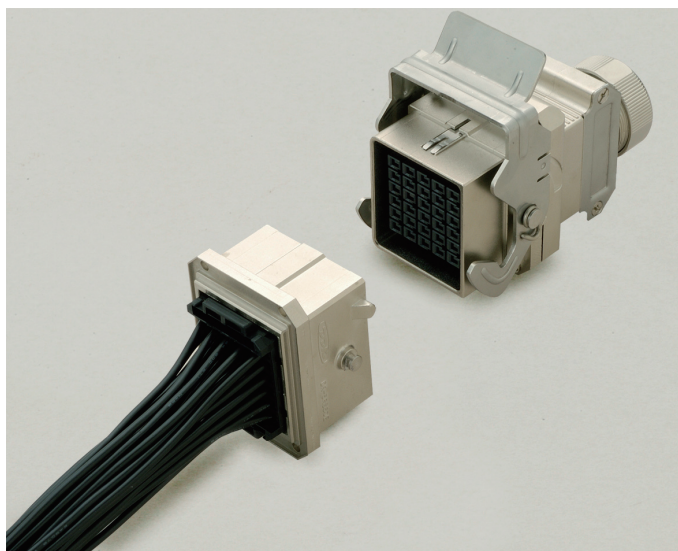


Industrial waterproof rectangular connector

DK-3 Series (30 Pin) Type

DDK Ltd.



OUTLINE

- ◆ Waterproof rectangular connector was developed for connecting industrial equipment.
- ◆ Crimp termination contacts are the same as those of DK-3000 series.
- ◆ Tab and a receptacle housing are being prepared for the shell shape of the plug, the cable receptacle and the receptacle.
- ◆ DK-3 has one touch locking lever mechanism and a locking supporting system.
Pushing contacts in the direction of the mating half makes the connectors automatically and temporarily locked and you can mate the connectors easily.

APPLICATIONS

FA equipment (internal and external), robots, servo motors, medical equipment, communication equipment, OA equipment, various other electrical equipment.

SPECIFICATIONS

Item	DK-3 Series
Rated Voltage	250V AC(r.m.s.) / 600V DC
Rated Current	15A max. / Contact
Dielectric Withstanding Voltage	1,500V AC(r.m.s.)/ 1minute
Insulation Resistance	1,000M Ω min. at 500V DC
Contact Resistance	5m Ω max.
Contact Pitch	5.0mm
Applicable Cable Size	AWG 16 – 28
Waterproof Rating	IP67
Number of Contacts	30 Pin

SAFETY STANDARD



MATERIALS / FINISH



Item	Materials / Finishes
Contact	Copper Alloy / Au over Ni Plating
Housing	PBT Resin(UL94V-0) / Black
Shell / Hood	Aluminum Alloy and Zinc Alloy

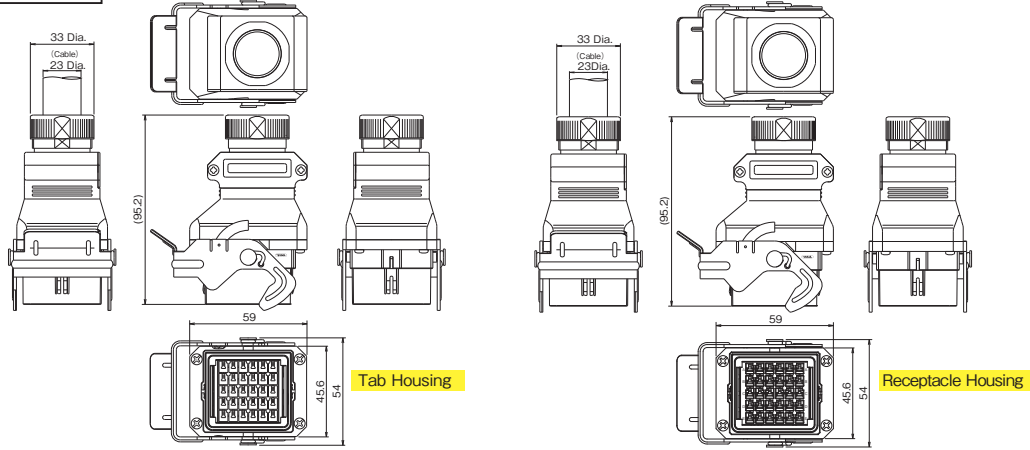
© Specifications and/or dimensions in this catalogue are subject to change without notice.
Your catalogue checking the latest specifications with our drawings would be highly appreciated.

▶ 30 Pin Connectors

Plug

DK-3P30E □ □ -S

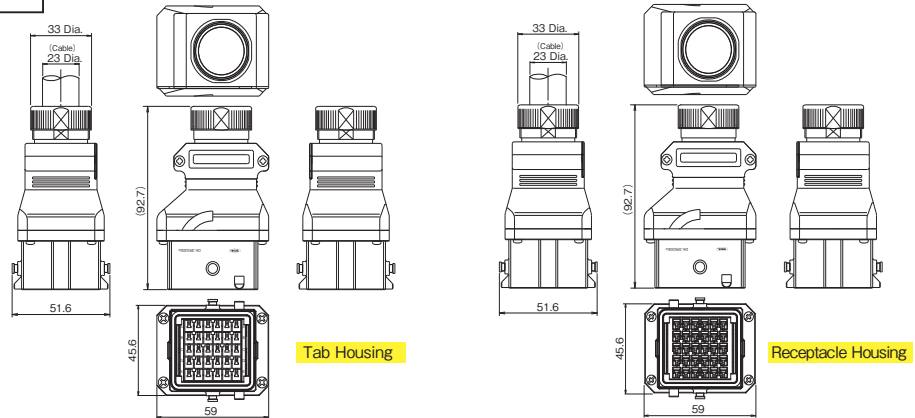
RC : Receptacle Housing
TC : Tab Housing



Cable Receptacle

DK-3CR30E □ □ -S

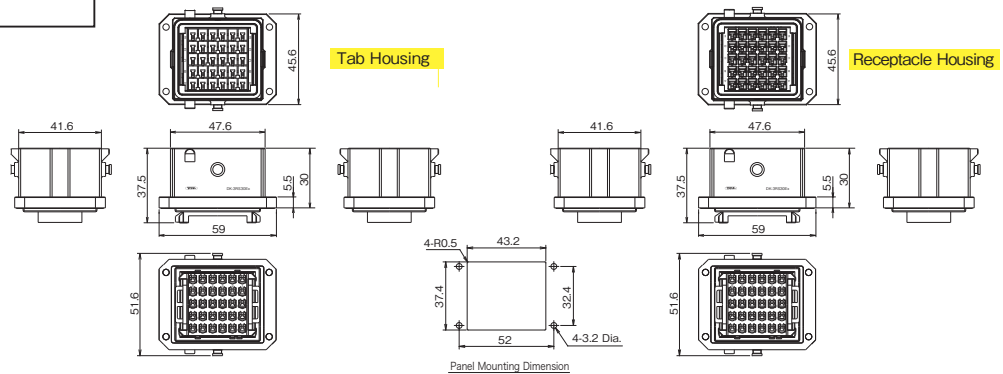
RC : Receptacle Housing
TC : Tab Housing



Receptacle

DK-3R30E □ □ -S

RC : Receptacle Housing
TC : Tab Housing



© Specifications and/or dimensions in this catalogue are subject to change without notice.
Your catalogue checking the latest specifications with our drawings would be highly appreciated.

▶ Crimp Contact

DK-3 Contact

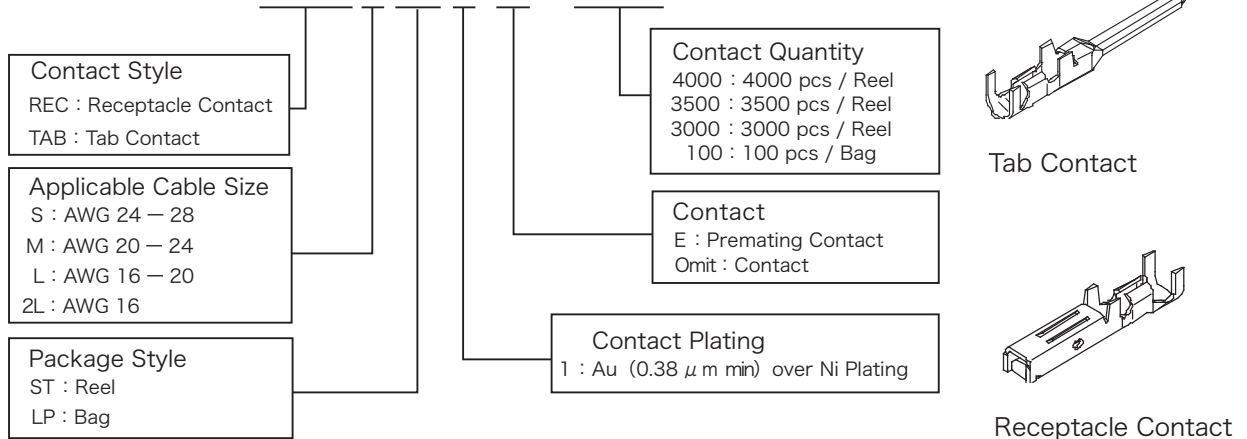
【Contact】

Applicable Cable Size		Insulation O.D. (mm)	Contact Size	Package Style	Part Number		Contact Quantity (pcs)
AWG	mm ²				Receptacle Contact	Tab Contact	
28	0.08	0.8 ~ 1.2	S	Reel	DK-3RECSST1-4000	DK-3TABSST1-4000	4,000
26	0.12						
24	0.20						
24	0.20	1.2 ~ 1.6	M	Reel	DK-3RECMST1-3500	DK-3TABMST1-3500	3,500
22	0.30						
20	0.50	1.7 ~ 2.6	L	Bag	DK-3RECMLP1-100	DK-3TABMLP1-100	100
20	0.50						
18	0.85						
16	1.25	1.8 ~ 2.8	L	Reel	DK-3RECLST1-3000	DK-3TABLST1-3000	3,000
16	1.25						
16	1.25	2.2 ~ 2.8	2L	Reel	DK-3REC2LST1-3000	DK-3TAB2LST1-3000	3,000
				Bag	DK-3REC2LLP1-100	DK-3TAB2LLP1-100	100

【Premating Contact】

Applicable Cable Size		Insulation O.D. (mm)	Contact Size	Package Style	Part Number		Contact Quantity (pcs)
AWG	mm ²				Receptacle Contact	Tab Contact	
24	0.20	1.2 ~ 1.6	M	Bag	DK-3RECMLP1-E-100	DK-3TABMLP1-E-100	100
22	0.30						
20	0.50	1.7 ~ 2.6	L	Bag	DK-3RECLLP1-E-100	DK-3TABLLP1-E-100	100
20	0.50						
18	0.85						
16	1.25	1.8 ~ 2.8	L	Bag	DK-3RECLLP1-E-100	DK-3TABLLP1-E-100	100
16	1.25						
16	1.25	2.2 ~ 2.8	2L	Bag	DK-3REC2LLP1-E-100	DK-3TAB2LLP1-E-100	100
16	1.25						

DK-3RECSST1-E-4000



Keying Plug [Prevent Misinsertion Key]

- ◆ Used to prevent misinsertion.

Part Number : DK-3KP

MOQ : 100 pcs

