

Inductors for decoupling circuits  
Wound ferrite  
ADL-VT series (for automotive)



AEC-Q200

## ADL3225VT type



## FEATURES

- Small size and thin form factor (mounting area 3.2 x 2.5 mm, height 2.5mm max.)
- Achieving broadband impedance characteristics and good DC superimposition characteristics as the result of an original coiled wiring design and original structure
- Ensuring consistent high quality and reliability as the result of a completely automated manufacturing process
- Operating temperature range: -40 to +150°C (including self-temperature rise)
- Compliant with AEC-Q200

## APPLICATION

- Inductor for use with separate signal and power lines in in-vehicle PoC (Power Over Coax)
- Application guides: [Car Infotainment](#)

## PART NUMBER CONSTRUCTION

ADL	3225	VT	-	4R7	M	-	TL	000
Series name	LxWxH dimensions 3.2x2.5x2.3 mm	Characteristic type		Inductance (μH)	Inductance tolerance		Packaging style	Internal code

## CHARACTERISTICS SPECIFICATION TABLE

L (μH)	L measuring frequency Tolerance	L measuring frequency (kHz)	DC resistance (Ω) max.	Rated current*		Part No.
				Isat (mA) typ.	Itemp (mA) typ.	
4.7	±20%	100	0.1	720	1500	<a href="#">ADL3225VT-4R7M-TL000</a>
10	±20%	100	0.15	450	1300	<a href="#">ADL3225VT-100M-TL000</a>

\* Rated current: smaller value of either Isat or Itemp.

Isat: when based on the inductance change rate (30% below the nominal inductance value)

Itemp: When based on the temperature increase (temperature increase of 40°C by self heating)

## Measurement equipment

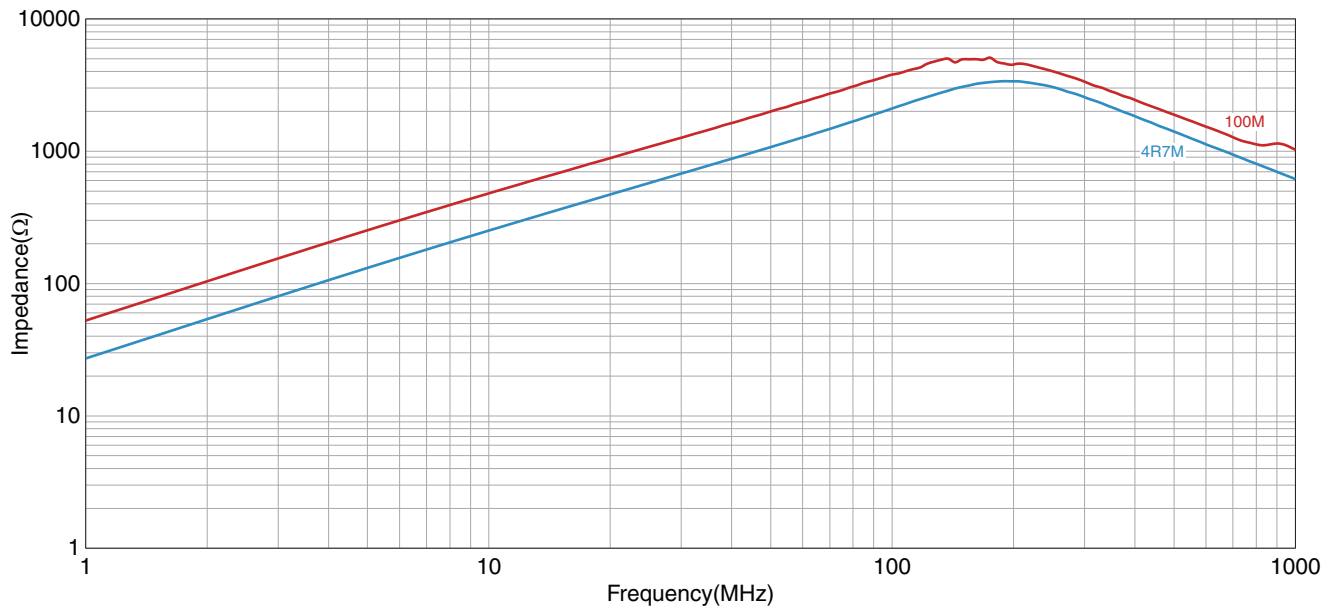
Measurement item	Product No.	Manufacturer
Inductance	4294A	Keysight Technologies
DC resistance	4338A	Keysight Technologies

\* Equivalent measurement equipment may be used.

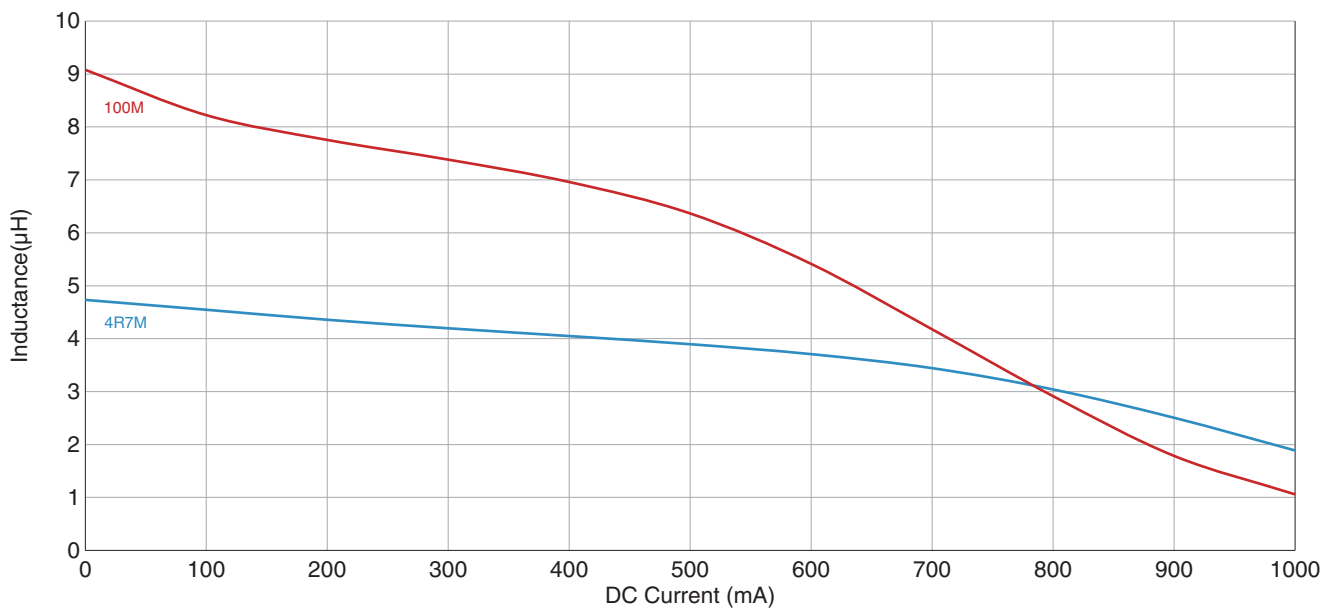


# ADL3225VT type

## ■ IMPEDANCE VS. FREQUENCY CHARACTERISTICS

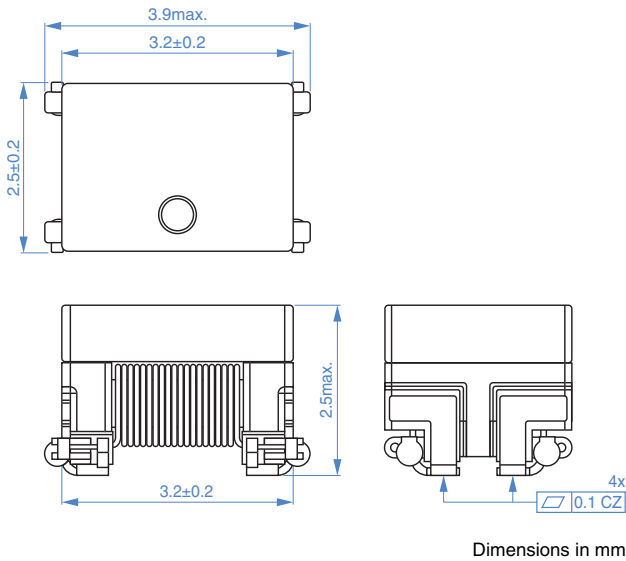


## ■ INDUCTANCE VS. DC BIAS CHARACTERISTICS

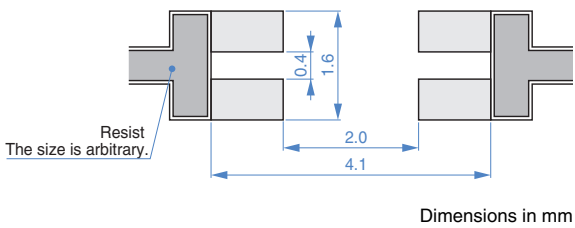


# ADL3225VT type

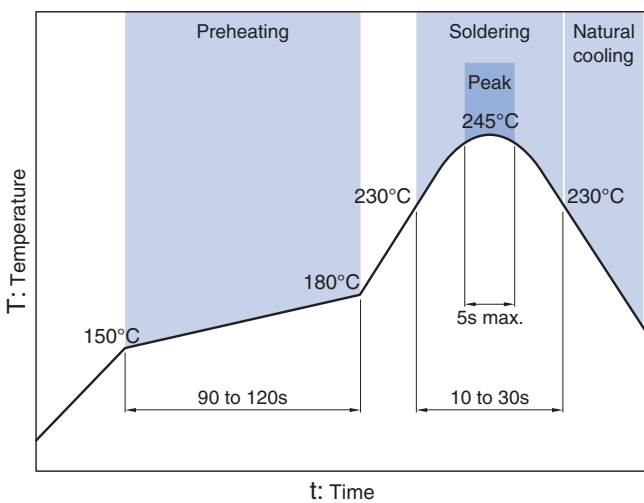
## SHAPE & DIMENSIONS



## RECOMMENDED LAND PATTERN

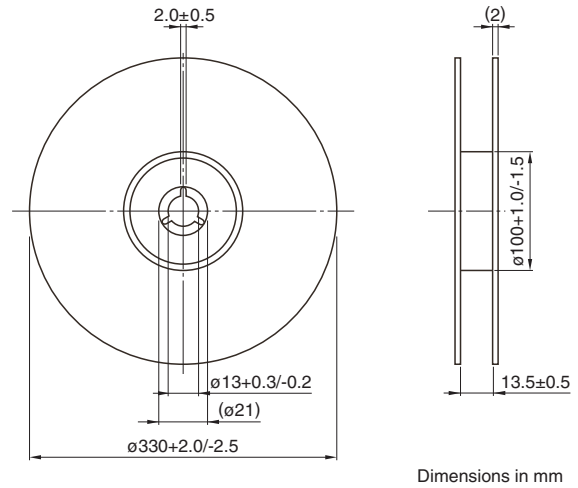


## RECOMMENDED REFLOW PROFILE

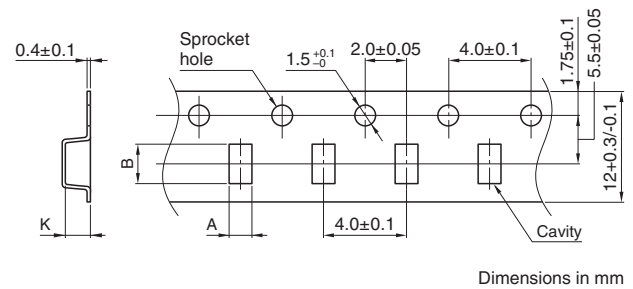


## PACKAGING STYLE

### REEL DIMENSIONS



### TAPE DIMENSIONS



Type	A	B	K
ADL3225VT	(2.85)	(4.2)	(2.7)

### PACKAGE QUANTITY

Package quantity	6000 pcs/reel
------------------	---------------

## TEMPERATURE RANGE, INDIVIDUAL WEIGHT

Operating temperature range*	Storage temperature range	Individual weight
-40 to +150 °C	-40 to +150 °C	0.063 g

\* Operating temperature range includes self-temperature rise.