



Z00607

Preliminary

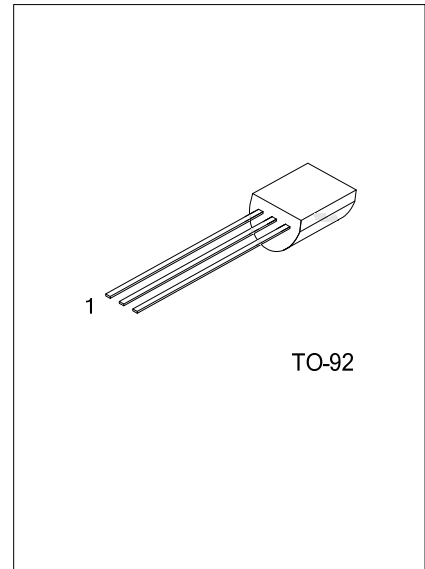
TRIAC

0.8A TRIAC

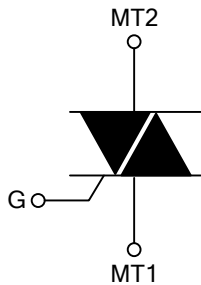
DESCRIPTION

The UTC **Z00607** is a 0.8A triac, it uses UTC's advanced technology to provide customers with low gate trigger current.

The UTC **Z00607** is suitable for low power AC switching applications and driving microcontrollers.



SYMBOL

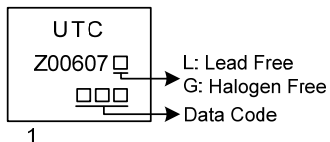


ORDERING INFORMATION

Ordering Number		Package	Pin Assignment			Packing
Lead Free	Halogen Free		1	2	3	
Z00607L-T92-B	Z00607G-T92-B	TO-92	MT1	GATE	MT2	Tape Box
Z00607L-T92-K	Z00607G-T92-K	TO-92	MT1	GATE	MT2	Bulk

<p>Z00607L-T92-B</p> <p>(1)Packing Type (2)Package Type (3)Green Package</p>	<p>(1) B: Tape Box, K: Bulk (2) T92: TO-92 (3) L: Lead Free, G: Halogen Free and Lead Free</p>
--	--

MARKING



■ ABSOLUTE MAXIMUM RATINGS

PARAMETER			SYMBOL	RATINGS	UNIT
Repetitive Peak Off-State Voltage			V_{DRM}	600	V
RMS On-State Current (Full Sine Wave)	$T_{MB}=50^{\circ}\text{C}$		$I_{T(RMS)}$	0.8	A
Non Repetitive Surge Peak On-State Current (Full Cycle, T_J initial= 25°C)	F=50Hz	t=20ms	I_{TSM}	9	A
	F=60Hz	t=16.7ms		9.5	
I^2t Value for Fusing	t _p =10ms		I^2_t	0.45	A ² s
Critical Rate of Rise of On-State Current $I_G=2 \times I_{GT}$, t _r ≤100ns	F=120Hz	$T_J=110^{\circ}\text{C}$	dI/dt	20	A/μs
Peak Gate Current	t _p =20μs	$T_J=110^{\circ}\text{C}$	I_{GM}	1	A
Average Gate Power Dissipation	$T_J=110^{\circ}\text{C}$		$P_{G(AV)}$	0.1	W
Operating Junction Temperature Range			T_J	-40~+110	°C
Storage Junction Temperature Range			T_{STG}	-40~+150	°C

Note: Absolute maximum ratings are those values beyond which the device could be permanently damaged. Absolute maximum ratings are stress ratings only and functional device operation is not implied.

■ THERMAL DATA

PARAMETER	SYMBOL	RATINGS	UNIT
Junction to Lead (AC)	θ_{LEAD}	60	°C/W
Junction to Ambient	θ_{JA}	150	°C/W

■ ELECTRICAL CHARACTERISTICS ($T_J=25^{\circ}\text{C}$, unless otherwise specified)

PARAMETER	SYMBOL	TEST CONDITIONS	MIN	TYP	MAX	UNIT
Gate Trigger Current (Note 1)	I_{GT}	$V_D=12\text{V}$, $R_L=30\Omega$	I-II-III		5	mA
			IV		7	
Gate Trigger Voltage	V_{GT}				1.3	V
Gate Non-Trigger Voltage	V_{GD}	$V_D=V_{DRM}$, $R_L=3.3\text{K}\Omega$, $T_J=110^{\circ}\text{C}$	ALL	0.2		V
Holding Current (Note 2)	I_H	$I_T=200\text{mA}$			5	mA
Latching Current	I_L	$I_G=1.2I_{GT}$	I-III-IV		10	mA
			II		20	
Critical Rate of Rise of Off-State Voltage (Note 2)	dV/dt	$V_D=67\%V_{DRM}$, Gate Open, $T_J=110^{\circ}\text{C}$	10			V/μs
Critical Rate of Rise of Off-State Voltage at Commutation (Note 2)	(dV/dt) _c	(dV/dt) _c =0.35A/ms, $T_J=110^{\circ}\text{C}$	1.5			V/μs
Peak On-State Voltage (Note 2)	V_{TM}	$I_{TM}=1.1\text{A}$, t _p =380μs	$T_J=25^{\circ}\text{C}$		1.5	V
Threshold Voltage (Note 2)	V_{TO}		$T_J=110^{\circ}\text{C}$		0.95	V
Dynamic Resistance (Note 2)	R_D		$T_J=110^{\circ}\text{C}$		420	mΩ
Repetitive Peak Off-State Current	I_{DRM}	$V_{DRM}=V_{RRM}=600\text{V}$	$T_J=25^{\circ}\text{C}$		5	μA
	I_{RRM}		$T_J=110^{\circ}\text{C}$		0.1	mA

Notes: 1. Minimum I_{GT} is guaranteed at 5% of I_{GT} max.

2. For both polarities of MT2 referenced to MT1.

UTC assumes no responsibility for equipment failures that result from using products at values that exceed, even momentarily, rated values (such as maximum ratings, operating condition ranges, or other parameters) listed in products specifications of any and all UTC products described or contained herein. UTC products are not designed for use in life support appliances, devices or systems where malfunction of these products can be reasonably expected to result in personal injury. Reproduction in whole or in part is prohibited without the prior written consent of the copyright owner. The information presented in this document does not form part of any quotation or contract, is believed to be accurate and reliable and may be changed without notice.