

# 200-MHz Field Programmable Zero Delay Buffer

## Features

- Pre-programmed configuration
- Fully field-programmable
  - Input and output dividers
  - Inverting/noninverting outputs
  - Phase-locked loop (PLL) or fanout buffer configuration
- 10 MHz to 200 MHz operating range
- Split 2.5-V or 3.3-V outputs
- Two low-voltage complementary metal oxide semiconductor (LVCMOS) reference inputs
- Twelve low-skew outputs
  - Output-output skew < 200 ps
  - Device-device skew < 500 ps
- Input-output skew < 250 ps
- Cycle-cycle jitter < 100 ps (typical)
- Three-stateable outputs
- Less than 50  $\mu$ A shutdown current
- Spread Aware™
- 28-pin shrunk small outline package (SSOP)
- 3.3-V operation

## Functional Description

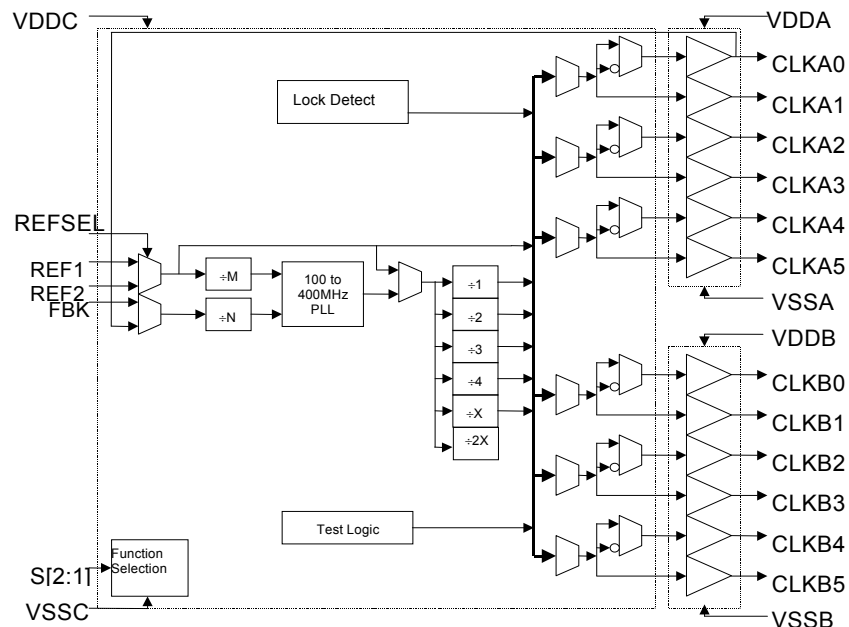
The CY23FP12-002 is a pre-programmed version of the CY23FP12. It features a high-performance fully field-programmable 200-MHz zero delay buffer designed for high-speed clock distribution. The integrated PLL is designed for low jitter and optimized for noise rejection. These parameters are critical for reference clock distribution in systems using high-performance ASICs and microprocessors.

The CY23FP12-002 is fully programmable through volume or prototype programmers, enabling the user to define an application-specific zero delay buffer with customized input and output dividers, feedback topology (internal/external), output inversions, and output drive strengths. For additional flexibility, the user can mix and match multiple functions, listed in [Table 2](#) on page 5, and assign a particular function set to any one of the four possible S1-S2 control bit combinations. This feature enables the implementation of four distinct personalities, selectable with S1-S2 bits, on a single programmed silicon. The CY23FP12-002 also features a proprietary auto power down circuit that shuts down the device in case of a REF failure, resulting in less than 50  $\mu$ A of current draw.

The CY23FP12-002 provides 12 outputs grouped in two banks with separate power supply pins which can be connected independently to either a 2.5 V or a 3.3 V rail.

Selectable reference input is a fault tolerance feature which allows for glitch-free switch over to secondary clock source when REFSEL is asserted/deasserted.

## Logic Block Diagram

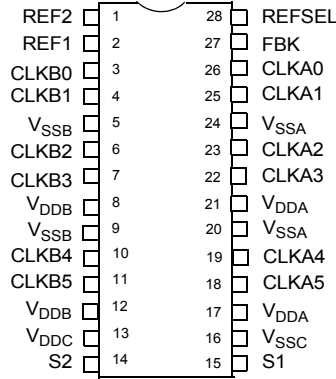


**Contents**

<b>Pin Configuration .....</b>	<b>3</b>	<b>Ordering Information.....</b>	<b>11</b>
<b>Pin Description .....</b>	<b>3</b>	Ordering Code Definition.....	11
Field Programming the CY23FP12-002 .....	7	<b>Package Drawing and Dimension .....</b>	<b>12</b>
CyberClocks™ Software .....	7	<b>Acronyms .....</b>	<b>13</b>
CY3672-USB Development Kit .....	7	<b>Document Conventions .....</b>	<b>13</b>
<b>CY23FP12-002 Frequency Calculation .....</b>	<b>7</b>	Units of Measure .....	13
<b>Absolute Maximum Conditions.....</b>	<b>8</b>	<b>Document History Page .....</b>	<b>14</b>
<b>Operating Conditions.....</b>	<b>8</b>	<b>Sales, Solutions, and Legal Information .....</b>	<b>14</b>
<b>DC Electrical Specifications .....</b>	<b>8</b>	Worldwide Sales and Design Support.....	14
<b>Switching Characteristics [5] .....</b>	<b>9</b>	Products .....	14
<b>Switching Waveforms .....</b>	<b>10</b>	PSoC Solutions .....	14

## Pin Configuration

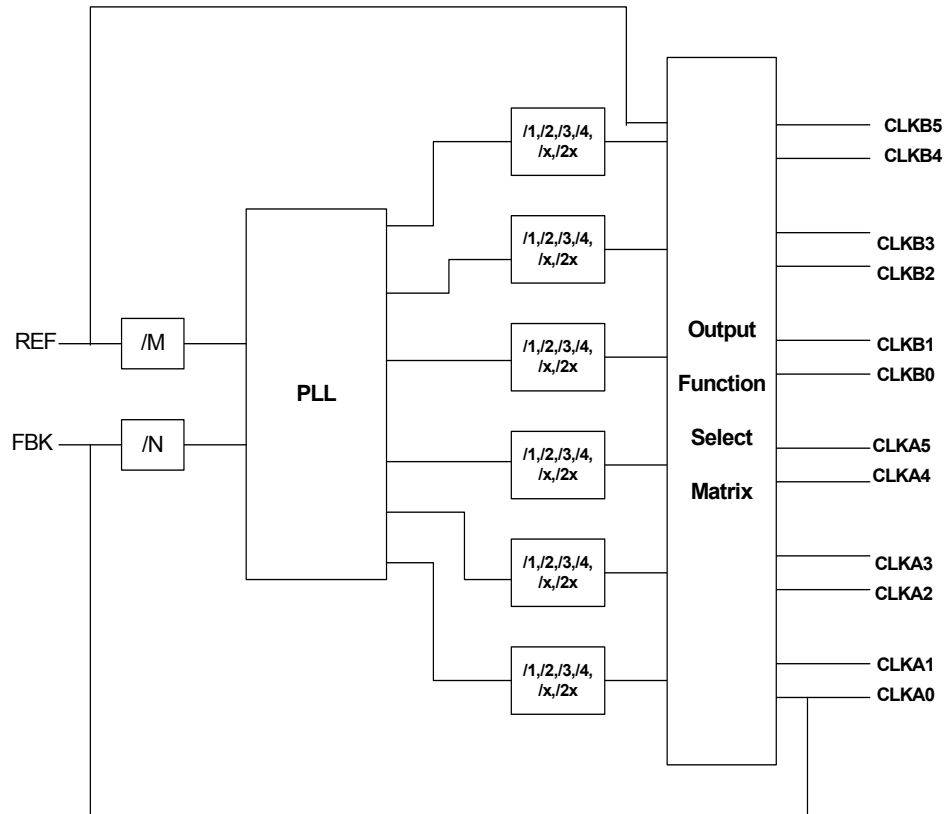
Figure 1. 28-Pin SSOP



## Pin Description

Pin	Name	I/O	Type	Description
1	REF2	I	LVTTL/LVCMOS	Input reference frequency, 5V-tolerant input.
2	REF1	I	LVTTL/LVCMOS	Input reference frequency, 5V-tolerant input.
3	CLKB0	O	LVTTL	Clock output, Bank B.
4	CLKB1	O	LVTTL	Clock output, Bank B.
5	VSSB	PWR	POWER	Ground for Bank B.
6	CLKB2	O	LVTTL	Clock output, Bank B.
7	CLKB3	O	LVTTL	Clock output, Bank B.
8	VDDB	PWR	POWER	2.5-V or 3.3-V supply, Bank B.
9	VSSB	PWR	POWER	Ground for Bank B.
10	CLKB4	O	LVTTL	Clock output, Bank B.
11	CLKB5	O	LVTTL	Clock output, Bank B.
12	VDDB	PWR	POWER	2.5-V or 3.3-V supply, Bank B.
13	VDDC	PWR	POWER	3.3 V core supply.
14	S2	I	LVTTL	Select input.
15	S1	I	LVTTL	Select input.
16	VSSC	PWR	POWER	Ground for core.
17	VDDA	PWR	POWER	2.5-V or 3.3-V supply, Bank A.
18	CLKA5	O	LVTTL	Clock output, Bank A.
19	CLKA4	O	LVTTL	Clock output, Bank A.
20	VSSA	PWR	POWER	Ground for Bank A.
21	VDDA	PWR	POWER	2.5-V or 3.3-V supply Bank A.
22	CLKA3	O	LVTTL	Clock output, Bank A.
23	CLKA2	O	LVTTL	Clock output, Bank A.
24	VSSA	PWR	POWER	Ground for Bank A.
25	CLKA1	O	LVTTL	Clock output, Bank A.
26	CLKA0	O	LVTTL	Clock output, Bank A.
27	FBK	I	LVTTL	PLL feedback input.
28	REFSEL	I	LVTTL	Reference select input. When REFSEL = 0, REF1 is selected. When REFSEL = 1, REF2 is selected.

Figure 2. Basic PLL Block Diagram



Following is a list of independent functions that can be programmed with a volume or prototype programmer on the “pre-programmed” silicon.

Table 1. Programmable Functions

Configuration	Description	Default
DC Drive Bank A	Programs the drive strength of Bank A outputs. The user can select one out of two possible drive strength settings that produce output DC currents in the range of ±16 mA to ±20 mA.	±20 mA
DC Drive Bank B	Programs the drive strength of Bank B outputs. The user can select one out of two possible drive strength settings that produce output DC currents in the range of ±16 mA to ±20 mA.	±20 mA
Output Enable for Bank B clocks	Enables/disables CLKB[5:0] outputs. Each of the six outputs can be disabled <i>individually</i> if not used, to minimize electromagnetic interference (EMI) and switching noise.	Enable
Output Enable for Bank A clocks	Enables/disables CLKA[5:0] outputs. Each of the six outputs can be disabled <i>individually</i> if not used, to minimize EMI and switching noise.	Enable
Inv CLKA0	Generates an inverted clock on the CLKA0 output. When this option is programmed, CLKA0 and CLKA1 will become complimentary pairs.	Non invert
Inv CLKA2	Generates an inverted clock on the CLKA2 output. When this option is programmed, CLKA2 and CLKA3 will become complimentary pairs.	Non invert
Inv CLKA4	Generates an inverted clock on the CLKA4 output. When this option is programmed, CLKA4 and CLKA5 will become complimentary pairs.	Non invert
Inv CLKB0	Generates an inverted clock on the CLKB0 output. When this option is programmed, CLKB0 and CLKB1 will become complimentary pairs.	Non invert

**Table 1. Programmable Functions** (continued)

Configuration	Description	Default
Inv CLKB2	Generates an inverted clock on the CLKB2 output. When this option is programmed, CLKB2 and CLKB3 will become complimentary pairs.	Non-invert
Inv CLKB4	Generates an inverted clock on the CLKB4 output. When this option is programmed, CLKB4 and CLKB5 will become complimentary pairs.	Non-invert
Pull down Enable	Enables/disables internal pulldowns on all outputs	Enable
Fbk Pull down Enable	Enables/disables internal pulldowns on the feedback path (applicable to both internal and external feedback topologies)	Enable
Fbk Sel	Selects between the internal and the external feedback topologies	Internal

The following table lists independent functions, which can be assigned to each of the four S1 and S2 combinations. When a particular S1 and S2 combination is selected, the device assumes the configuration (which is essentially a set of functions given in [Table 2](#)) that has been preassigned to that particular combination.

**Table 2. Programmable Functions for S1/S2 Combinations**

Function	Description	Default
Output Enable CLKB[5:4]	Enables/disables CLKB[5:4] output pair	Enable
Output Enable CLKB[3:2]	Enables/disables CLKB[3:2] output pair	Enable
Output Enable CLKB[1:0]	Enables/disables CLKB[1:0] output pair	Enable
Output Enable CLKA[5:4]	Enables/disables CLKA[5:4] output pair	Enable
Output Enable CLKA[3:2]	Enables/disables CLKA[3:2] output pair	Enable
Output Enable CLKA[1:0]	Enables/disables CLKA[1:0] output pair	Enable
Auto Power down Enable	Enables/disables the auto power down circuit, which monitors the reference clock rising edges and shuts down the device in case of a reference 'failure.' This failure is triggered by a drift in reference frequency below a set limit. This auto power down circuit is disabled internally when one or more of the outputs are configured to be driven directly from the reference clock.	Enable
PLL Power down	Shuts down the PLL when the device is configured as a non-PLL fanout buffer.	See <a href="#">Table 4</a> on page 6
M[7:0]	Assigns an eight-bit value to reference divider –M. The divider can be any integer value from 1 to 256; however, the PLL input frequency cannot be lower than 10 MHz.	See <a href="#">Table 4</a> on page 6
N[7:0]	Assigns an eight-bit value to feedback divider –N. The divider can be any integer value from 1 to 256; however, the PLL input frequency cannot be lower than 10 MHz.	See <a href="#">Table 4</a> on page 6
X[6:0]	Assigns a seven-bit value to output divider –X. The divider can be any integer value from 5 to 130. Divide by 1,2,3, and 4 are preprogrammed on the device and can be activated by the appropriate output mux setting.	See <a href="#">Table 4</a> on page 6
Divider Source	Selects between the PLL output and the reference clock as the source clock for the output dividers.	See <a href="#">Table 4</a> on page 6
CLKA54 Source	Independently selects one out of the eight possible output dividers that will connect to the CLKA5 and CLKA4 pair. Please refer to <a href="#">Table 3</a> on page 6 for a list of divider values.	See <a href="#">Table 4</a> on page 6
CLKA32 Source	Independently selects one out of the eight possible output dividers that will connect to the CLKA3 and CLKA2 pair. Please refer to <a href="#">Table 3</a> on page 6 for a list of divider values.	See <a href="#">Table 4</a> on page 6
CLKA10 Source	Independently selects one out of the eight possible output dividers that will connect to the CLKA1 and CLKA0 pair. Please refer to <a href="#">Table 3</a> on page 6 for a list of divider values.	See <a href="#">Table 4</a> on page 6
CLKB54 Source	Independently selects one out of the eight possible output dividers that will connect to the CLKB5 and CLKB4 pair. Please refer to <a href="#">Table 3</a> on page 6 for a list of divider values.	See <a href="#">Table 4</a> on page 6
CLKB32 Source	Independently selects one out of the eight possible output dividers that will connect to the CLKB3 and CLKB2 pair. Please refer to <a href="#">Table 3</a> on page 6 for a list of divider values.	See <a href="#">Table 4</a> on page 6
CLKB10 Source	Independently selects one out of the eight possible output dividers that will connect to the CLKB1 and CLKB0 pair. Please refer to <a href="#">Table 3</a> on page 6 for a list of divider values.	See <a href="#">Table 4</a> on page 6

Table 3 is a list of output dividers that are independently selected to connect to each output pair.

In the default (pre-programmed) state of the device, S1 and S2 pins will function as indicated in Table 4. The CY23FP12-002 can be programmed to other configurations.

**Table 3. Output Dividers**

CLKA/B Source	Output Connects To
0 [000]	REF
1 [001]	Divide by 1
2 [010]	Divide by 2
3 [011]	Divide by 3
4 [100]	Divide by 4
5 [101]	Divide by X
6 [110]	Divide by 2X <sup>[1]</sup>
7 [111]	TEST mode [LOCK signal] <sup>[2]</sup>

**Table 4. Pre-Programmed Configuration**

Outputs	S2, S1	DivSrc	Example Output		
			REF Input (MHz)	VCO (MHz)	Output (MHz)
ClkA0, A1	00	1	25	200	200
ClkA2, A3	00	3	25	200	66.7
ClkA4, A5	00	X=6	25	200	33.3
ClkB0, B1	00	X=6	25	200	33.3
ClkB2, B3	00	4	25	200	50
ClkB4, B5	00	Ref	25	200	25
ClkA0, A1	01	4	100	200	50
ClkA2, A3	01	4	100	200	50
ClkA4, A5	01	4	100	200	50
ClkB0, B1	01	4	100	200	50
ClkB2, B3	01	X=8	100	200	25
ClkB4, B5	01	X=8	100	200	25
ClkA0, A1	10	X=8	33.3	266.6	33.3
ClkA2, A3	10	X=8	33.3	266.6	33.3
ClkA4, A5	10	X=8	33.3	266.6	33.3
ClkB0, B1	10	4	33.3	266.6	66.6
ClkB2, B3	10	4	33.3	266.6	66.6
ClkB4, B5	10	4	33.3	266.6	66.6
ClkA0, A1	11	Ref	100	powerdown	100
ClkA2, A3	11	Ref	100	powerdown	100
ClkA4, A5	11	Ref	100	powerdown	100
ClkB0, B1	11	2	100	powerdown	50
ClkB2, B3	11	2	100	powerdown	50
ClkB4, B5	11	2	100	powerdown	50

**Notes**

1. Outputs will be rising edge aligned only to those outputs using this same device setting.
2. When the source of an output pair is set to [111], the output pair becomes lock indicator signal. For example, if the source of an output pair (CLKA0, CLKA1) is set to [111], the CLKA0 and CLKA1, becomes lock indicator signals. In non-invert mode, CLKA0 and CLKA1 signals will be high when the PLL is in lock mode. If CLKA0 is in an invert mode, the CLKA0 will be low and the CLKA1 will be high when the PLL is in lock mode.

## Field Programming the CY23FP12-002

The CY23FP12-002 comes pre-programmed and ready for use, but it can also be reprogrammed to any other valid configuration. When programming, it must be programmed in a device programmer prior to being installed in a circuit. The CY23FP12-002 is based on flash technology, so it can be reprogrammed up to 100 times. This enables fast and easy design changes and product updates, and eliminates any issues with old and out-of-date inventory.

Samples and small prototype quantities can be programmed on the CY3672-USB programmer. Cypress's value-added distribution partners and third-party programming systems from BP Microsystems, HiLo Systems, and others are available for large production quantities.

### CyberClocks™ Software

CyberClocks is an easy-to-use software application that allows the user to custom-configure the CY23FP12-002. Users can specify the REF, PLL frequency, output frequencies and/or post-dividers, and different functional options. CyberClocks outputs an industry standard JEDEC file used for programming the CY23FP12-002.

CyberClocks can be downloaded free of charge from the Cypress website at [www.cypress.com](http://www.cypress.com).

### CY3672-USB Development Kit

The Cypress [CY3672-USB Developer Kit](#), in combination with the CY3692 Socket Adapter, is used to program samples and small prototype quantities of the CY23FP12-002. This portable programmer connects to a PC through a USB interface.

The JEDEC file output of CyberClocks can be downloaded to the portable programmer for small-volume programming, or for use with a production programming system for larger volumes.

## CY23FP12-002 Frequency Calculation

The CY23FP12-002 is an extremely flexible clock buffer with up to 12 individual outputs, generated from an integrated PLL. Four variables are used to determine the final output frequency. These are the input reference frequency, the M and N dividers, and the post divider.

The basic PLL block diagram is shown in [Figure 2](#) on page 4. Each of the six clock output pairs has many post divider options available to it. X is a programmable value between 5 and 130, and 2X is twice that value. There are six post divider options: /1, /2, /3, /4, /X, and /2X. The post divider options can be applied to the calculated PLL frequency or to the REF directly. The feedback is connected either internally to CLKAO or externally to any output.

A programmable divider, M, is inserted between the reference input, REF, and the phase detector. The divider M can be any integer 1 to 256. The PLL input frequency cannot be lower than 10 MHz or higher than 200 MHz. A programmable divider, N, is inserted between the feedback input, FBK, and the phase detector. The divider N can be any integer 1 to 256. The PLL input frequency cannot be lower than 10 MHz or higher than 200 MHz.

The output can be calculated as follows:

$$F_{REF} / M = F_{FBK} / N.$$

$$F_{PLL} = (F_{REF} * N * \text{post divider}) / M.$$

$$F_{OUT} = F_{PLL} / \text{post divider}.$$

In addition to above divider options, another option bypasses the PLL and passes the REF directly to the output.

$$F_{OUT} = F_{REF}.$$

## Absolute Maximum Conditions

Exceeding maximum ratings may shorten the useful life of the device. User guidelines are not tested.

Parameter	Description	Condition	Min.	Max.	Unit
V <sub>DD</sub>	Supply voltage	Nonfunctional	-0.5	7	VDC
V <sub>IN</sub>	Input voltage REF	Relative to V <sub>CC</sub>	-0.5	V <sub>DD</sub> + 0.5	VDC
V <sub>IN</sub>	Input voltage Except REF	Relative to V <sub>CC</sub>	-0.5	V <sub>DD</sub> + 0.5	VDC
LU <sub>I</sub>	Latch up immunity	Functional	300		mA
T <sub>S</sub>	Temperature, storage	Nonfunctional	-65	125	°C
T <sub>J</sub>	Junction temperature		-	125	°C
∅ <sub>Jc</sub>	Dissipation, junction to case	Functional	34		°C/W
∅ <sub>Ja</sub>	Dissipation, junction to ambient	Functional	86		°C/W
ESD <sub>h</sub>	ESD protection (human body model)		2000		V
M <sub>SL</sub>	Moisture sensitivity level		MSL – 1		class
G <sub>ATES</sub>	Total functional gate count	Assembled die	21375		each
UL-94	Flammability rating	At 1/8 in.	V-0		class
FIT	Failure in time	Manufacturing test	10		ppm

## Operating Conditions

Parameter	Description	Test Conditions	Min.	Max.	Unit
V <sub>DDC</sub>	Core supply voltage		3.135	3.465	V
V <sub>DDA</sub> , V <sub>DDB</sub>	Bank A, bank B supply voltage		3.135	3.465	V
			2.375	2.625	V
T <sub>A</sub>	Temperature, operating ambient	Commercial temperature	0	70	°C
t <sub>PU</sub>	Power-up time for all V <sub>DD</sub> S to reach minimum specified voltage (power ramps must be monotonic)		0.05	500	ms

## DC Electrical Specifications

Parameter	Description	Test Conditions	Min.	Typ.	Max.	Unit
V <sub>IL</sub>	Input LOW voltage <sup>[3]</sup>		-	-	0.3 × V <sub>DD</sub>	V
V <sub>IH</sub>	Input HIGH voltage <sup>[3]</sup>		0.7 × V <sub>DD</sub>	-	-	V
I <sub>IL</sub>	Input LOW current <sup>[3]</sup>	V <sub>IN</sub> = 0 V	-	-	50	μA
I <sub>IH</sub>	Input HIGH current <sup>[3]</sup>	V <sub>IN</sub> = V <sub>DD</sub>	-	-	50	μA
V <sub>OL</sub>	Output LOW voltage <sup>[4]</sup>	V <sub>DDA</sub> /V <sub>DDB</sub> = 3.3 V, I <sub>OL</sub> = 16 mA (standard drive) V <sub>DDA</sub> /V <sub>DDB</sub> = 3.3 V, I <sub>OL</sub> = 20 mA (high drive) V <sub>DDA</sub> /V <sub>DDB</sub> = 2.5 V, I <sub>OL</sub> = 16 mA (high drive)	-	-	0.5	V
V <sub>OH</sub>	Output HIGH voltage <sup>[4]</sup>	V <sub>DDA</sub> /V <sub>DDB</sub> = 3.3 V, I <sub>OH</sub> = -16 mA (standard drive) V <sub>DDA</sub> /V <sub>DDB</sub> = 3.3 V, I <sub>OH</sub> = -20 mA (high drive) V <sub>DDA</sub> /V <sub>DDB</sub> = 2.5 V, I <sub>OH</sub> = -16 mA (high drive)	V <sub>DD</sub> - 0.5	-	-	V
I <sub>DDS</sub>	Power-down supply current	REF = 0 MHz	-	12	50	μA
I <sub>DD</sub>	Supply current	V <sub>DDA</sub> = V <sub>DDB</sub> = 2.5 V, Unloaded outputs at 166 MHz	-	40	65	mA
		V <sub>DDA</sub> = V <sub>DDB</sub> = 2.5 V, Loaded outputs at 166 MHz, C <sub>L</sub> = 15 pF	-	65	100	
		V <sub>DDA</sub> = V <sub>DDB</sub> = 3.3 V, Unloaded outputs at 166 MHz	-	50	80	
		V <sub>DDA</sub> = V <sub>DDB</sub> = 3.3 V, Loaded outputs at 166 MHz, C <sub>L</sub> = 15 pF	-	100	120	

### Notes

- Applies to both REF Clock and FBK.
- Parameter is guaranteed by design and characterization. Not 100% tested in production.



Switching Characteristics <sup>[5]</sup>

Parameter	Description	Test Conditions	Min	Typ	Max	Unit
f <sub>REF</sub>	Reference frequency <sup>[6]</sup>		10	–	200	MHz
ER <sub>REF</sub>	Reference edge rate		1	–	–	V/ns
DC <sub>REF</sub>	Reference duty cycle		25	–	75	%
f <sub>OUT</sub>	Output frequency <sup>[7]</sup>	C <sub>L</sub> = 15 pF	10	–	200	MHz
		C <sub>L</sub> = 30 pF	10	–	100	
DC <sub>OUT</sub>	Output duty cycle <sup>[5]</sup>	V <sub>DDA/B</sub> = 3.3 V, measured at V <sub>DD</sub> /2	45	50	55	%
		V <sub>DDA/B</sub> = 2.5 V, measured at V <sub>DD</sub> /2	40	50	60	
t <sub>3</sub>	Rise time <sup>[5]</sup>	V <sub>DDA/B</sub> = 3.3 V, 0.8 V to 2.0 V, C <sub>L</sub> = 30 pF (standard drive and high drive)	–	–	1.6	ns
		V <sub>DDA/B</sub> = 3.3 V, 0.8 V to 2.0 V, C <sub>L</sub> = 15 pF (standard drive and high drive)	–	–	0.8	
		V <sub>DDA/B</sub> = 2.5 V, 0.6 V to 1.8 V, C <sub>L</sub> = 30 pF (high drive only)	–	–	2.0	
		V <sub>DDA/B</sub> = 2.5 V, 0.6 V to 1.8 V, C <sub>L</sub> = 15 pF (high drive only)	–	–	1.0	
t <sub>4</sub>	Fall time <sup>[5]</sup>	V <sub>DDA/B</sub> = 3.3 V, 0.8 V to 2.0 V, C <sub>L</sub> = 30 pF (standard drive and high drive)	–	–	1.6	ns
		V <sub>DDA/B</sub> = 3.3 V, 0.8 V to 2.0 V, C <sub>L</sub> = 15 pF (standard drive and high drive)	–	–	0.8	
		V <sub>DDA/B</sub> = 2.5 V, 0.6 V to 1.8 V, C <sub>L</sub> = 30 pF (high drive only)	–	–	1.6	
		V <sub>DDA/B</sub> = 2.5 V, 0.6 V to 1.8 V, C <sub>L</sub> = 15 pF (high drive only)	–	–	0.8	
TTB	Total timing budget, <sup>[8,9]</sup> Bank A and B same frequency	Outputs at 200 MHz, tracking skew not included	–	–	650	ps
	Total timing budget, bank A and B different frequency		–	–	850	
t <sub>5</sub>	Output-to-output skew <sup>[5]</sup>	All outputs equally loaded	–	–	200	ps
	Bank-to-bank skew	Same frequency	–	–	200	
	Bank-to-bank skew	Different frequency	–	–	400	
	Bank-to-bank skew	Different voltage, same frequency	–	–	400	
t <sub>6</sub>	Input-to-output skew (static phase offset) <sup>[5]</sup>	Measured at V <sub>DD</sub> /2, REF to FBK	–	0	250	ps
t <sub>7</sub>	Device-to-device skew <sup>[5]</sup>	Measured at V <sub>DD</sub> /2	–	0	500	ps
t <sub>J</sub>	Cycle-to-cycle jitter <sup>[5]</sup> (Peak-to-peak)	Bank A and B same frequency	–	–	200	ps
	Cycle-to-cycle jitter <sup>[5]</sup> (Peak-to-peak)	Bank A and B different frequency	–	–	400	

Notes

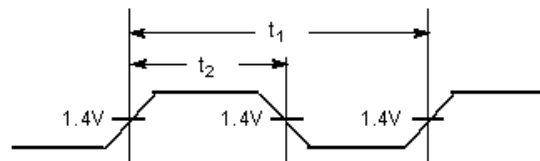
- All parameters are specified with loaded outputs.
- When the device is configured as a non-PLL fanout buffer (PLL Power down enabled), the reference frequency can be lower than 10MHz. With auto power down disabled and PLL power down enabled, the reference frequency can be as low as DC level.
- When the device is configured as a non-PLL fanout buffer (PLL Power down enabled), the output frequency can be lower than 10MHz. With auto power down disabled and PLL power down enabled, the output frequency can be as low as DC level.
- Guaranteed by statistical correlation. Tested initially and after any design or process changes that may affect these parameters.
- TTB is the window between the earliest and the latest output clocks with respect to the input reference clock across variations in output frequency, supply voltage, operating temperature, input clock edge rate, and process. The measurements are taken with the AC test load specified and include output-output skew, cycle-to-cycle jitter, and dynamic phase error. TTB will be equal to or smaller than the maximum specified value at a given frequency.

**Switching Characteristics** (continued)<sup>[5]</sup>

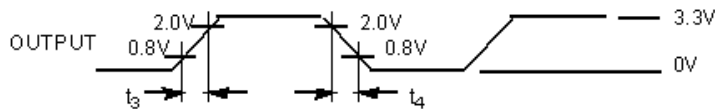
Parameter	Description	Test Conditions	Min	Typ	Max	Unit
$t_{TSK}$	Tracking skew	Input reference clock at < 50-KHz modulation with $\pm 3.75\%$ spread	–	–	200	ps
$t_{LOCK}$	PLL lock time <sup>[5]</sup>	Stable power supply, valid clock at REF	–	–	1.0	ms
$t_{LD}$	Inserted loop delay	Max loop delay for PLL Lock (stable frequency)	–	–	7	ns
		Max loop delay to meet Tracking Skew Spec	–	–	4	ns

**Switching Waveforms**

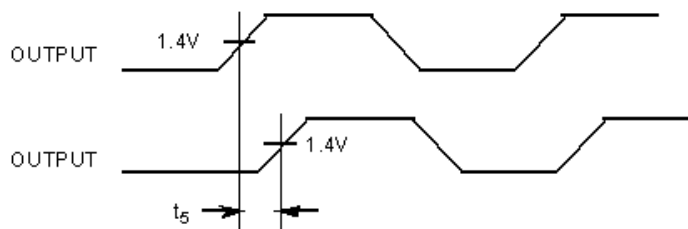
**Figure 3. Duty Cycle Timing**



**Figure 4. All Outputs Rise/Fall Time**



**Figure 5. Output-Output Skew**



**Figure 6. Input-Output Propagation Delay**

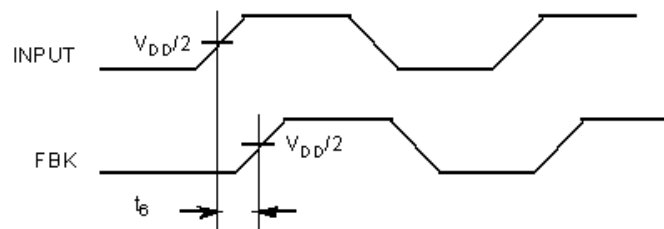
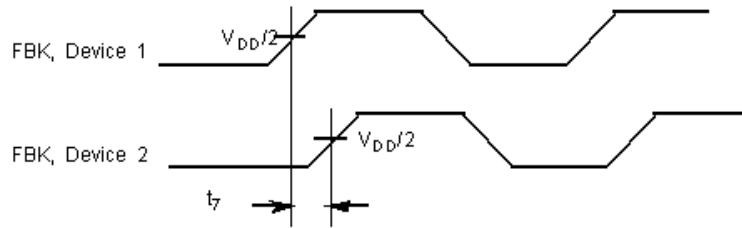
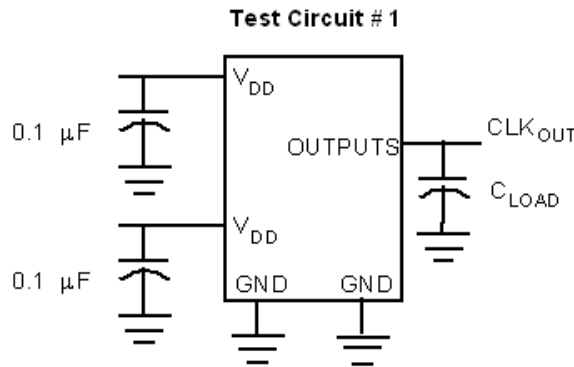


Figure 7. Device-Device Skew



Test Circuits

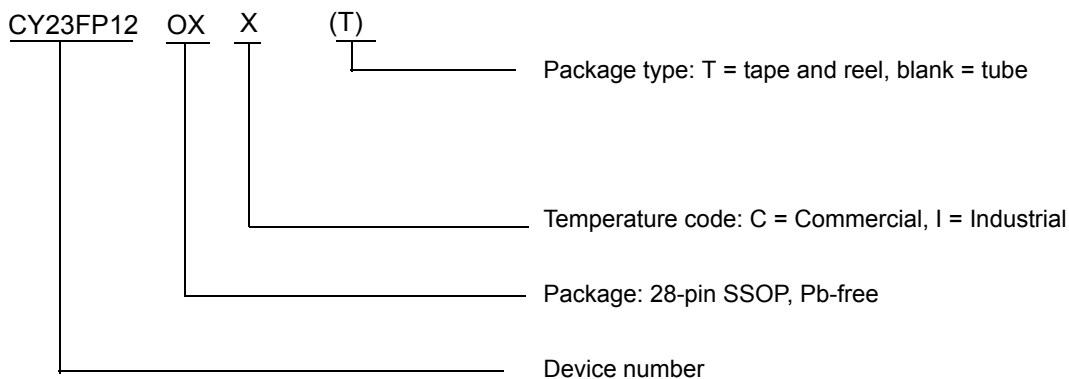


Test Circuit for all parameters

Ordering Information

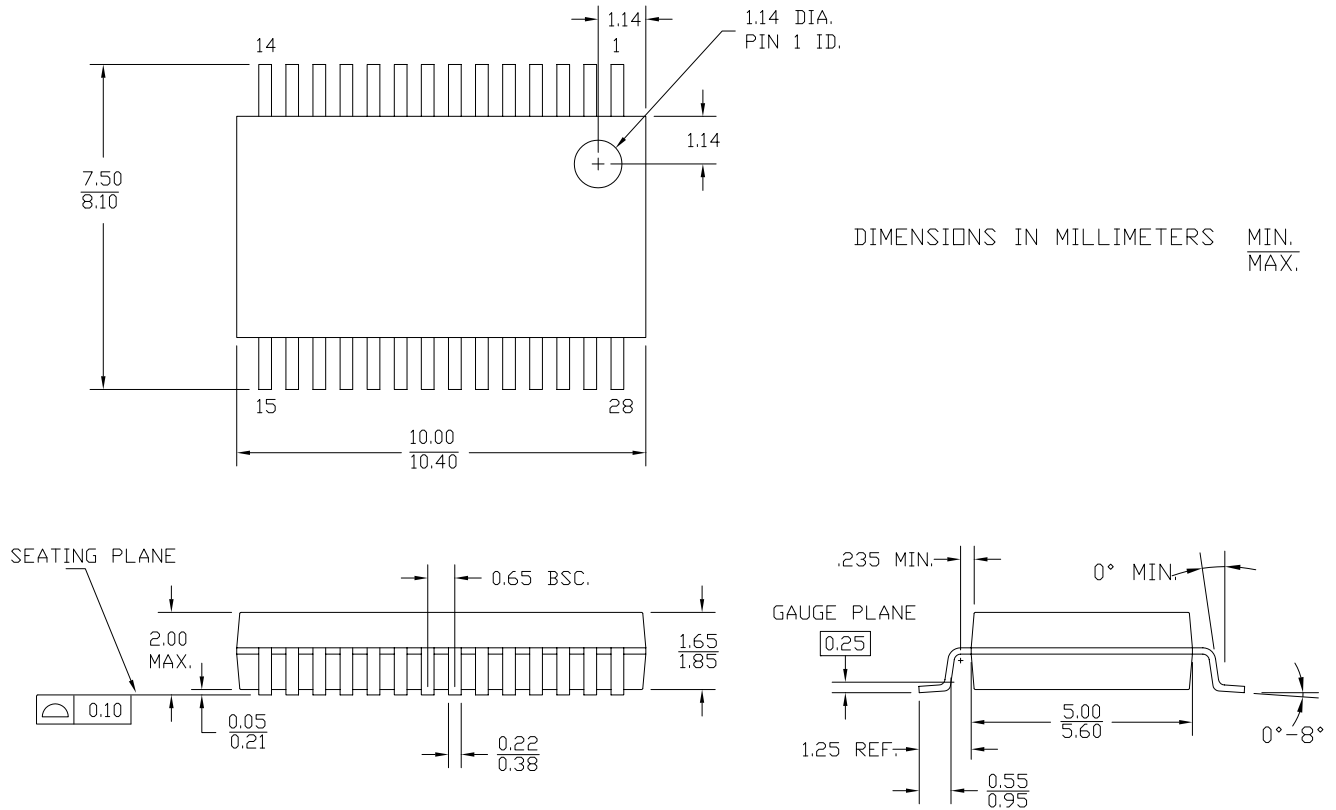
Ordering Code	Package Type	Operating Range
<b>Pb-free</b>		
CY23FP12OXC-002	28-pin SSOP	Commercial, 0 °C to 70 °C
CY23FP12OXC-002T	28-pin SSOP – Tape and Reel	Commercial, 0 °C to 70 °C
<b>Programmer</b>		
CY3672-USB	Programmer with USB Interface	
CY3692	CY23FP12 Socket Adapter for CY3672-USB Programmer (Label CY3672 ADP006)	

Ordering Code Definition



Package Drawing and Dimension

Figure 8. 28-Pin (5.3 mm) Shrunk Small Outline Package



51-85079 \*D

## Acronyms

Acronym	Description
DCXO	digitally controlled crystal oscillator
ESD	electrostatic discharge
PLL	phase locked loop
RMS	root mean square
SSOP	shrunk small outline package
XTAL	crystal

## Document Conventions

### Units of Measure

Symbol	Unit of Measure
°C	degree Celsius
μA	micro amperes
mA	milli amperes
ms	milli seconds
MHz	Mega Hertz
ns	nano seconds
pF	pico Farad
ps	pico seconds
V	Volts

## Document History Page

Document Title: CY23FP12-002 200-MHz Field Programmable Zero Delay Buffer				
Document Number: 38-07644				
REV.	ECN NO.	Submission Date	Orig. of Change	Description of Change
**	206761	See ECN	RGL	New Data Sheet
*A	2865396	01/25/2010	KVM	Updated template. Removed references to industrial temperature range Added captions to tables 1-4. Added Operating Conditions table. Various edits to text. Removed "FTG" from text about the CY3672 programmer. Added part numbers CY23FP12OXC-002, CY23FP12OXC-002T Removed part numbers CY23FP12OC-002, CY23FP12OC-002T, CY23FP12OI-002 and CY23FP12OI-002T Changed part number CY3672 to CY3672-USB. Updated package drawing.
*B	3146346	01/18/2011	BASH	Modified VIN max value from 7 to $V_{DD} + 0.5$ in <a href="#">Absolute Maximum Conditions</a> . Added <a href="#">Acronyms</a> , <a href="#">Document Conventions</a> , and <a href="#">Ordering Code Definition</a>

## Sales, Solutions, and Legal Information

### Worldwide Sales and Design Support

Cypress maintains a worldwide network of offices, solution centers, manufacturer's representatives, and distributors. To find the office closest to you, visit us at [Cypress Locations](#).

### Products

Automotive	<a href="http://cypress.com/go/automotive">cypress.com/go/automotive</a>
Clocks & Buffers	<a href="http://cypress.com/go/clocks">cypress.com/go/clocks</a>
Interface	<a href="http://cypress.com/go/interface">cypress.com/go/interface</a>
Lighting & Power Control	<a href="http://cypress.com/go/powerpsoc">cypress.com/go/powerpsoc</a> <a href="http://cypress.com/go/plc">cypress.com/go/plc</a>
Memory	<a href="http://cypress.com/go/memory">cypress.com/go/memory</a>
Optical & Image Sensing	<a href="http://cypress.com/go/image">cypress.com/go/image</a>
PSoC	<a href="http://cypress.com/go/psoc">cypress.com/go/psoc</a>
Touch Sensing	<a href="http://cypress.com/go/touch">cypress.com/go/touch</a>
USB Controllers	<a href="http://cypress.com/go/USB">cypress.com/go/USB</a>
Wireless/RF	<a href="http://cypress.com/go/wireless">cypress.com/go/wireless</a>

### PSoC Solutions

[psoc.cypress.com/solutions](http://psoc.cypress.com/solutions)  
PSoC 1 | PSoC 3 | PSoC 5

© Cypress Semiconductor Corporation, 2004-2011. The information contained herein is subject to change without notice. Cypress Semiconductor Corporation assumes no responsibility for the use of any circuitry other than circuitry embodied in a Cypress product. Nor does it convey or imply any license under patent or other rights. Cypress products are not warranted nor intended to be used for medical, life support, life saving, critical control or safety applications, unless pursuant to an express written agreement with Cypress. Furthermore, Cypress does not authorize its products for use as critical components in life-support systems where a malfunction or failure may reasonably be expected to result in significant injury to the user. The inclusion of Cypress products in life-support systems application implies that the manufacturer assumes all risk of such use and in doing so indemnifies Cypress against all charges.

Any Source Code (software and/or firmware) is owned by Cypress Semiconductor Corporation (Cypress) and is protected by and subject to worldwide patent protection (United States and foreign), United States copyright laws and international treaty provisions. Cypress hereby grants to licensee a personal, non-exclusive, non-transferable license to copy, use, modify, create derivative works of, and compile the Cypress Source Code and derivative works for the sole purpose of creating custom software and/or firmware in support of licensee product to be used only in conjunction with a Cypress integrated circuit as specified in the applicable agreement. Any reproduction, modification, translation, compilation, or representation of this Source Code except as specified above is prohibited without the express written permission of Cypress.

Disclaimer: CYPRESS MAKES NO WARRANTY OF ANY KIND, EXPRESS OR IMPLIED, WITH REGARD TO THIS MATERIAL, INCLUDING, BUT NOT LIMITED TO, THE IMPLIED WARRANTIES OF MERCHANTABILITY AND FITNESS FOR A PARTICULAR PURPOSE. Cypress reserves the right to make changes without further notice to the materials described herein. Cypress does not assume any liability arising out of the application or use of any product or circuit described herein. Cypress does not authorize its products for use as critical components in life-support systems where a malfunction or failure may reasonably be expected to result in significant injury to the user. The inclusion of Cypress' product in a life-support systems application implies that the manufacturer assumes all risk of such use and in doing so indemnifies Cypress against all charges.

Use may be limited by and subject to the applicable Cypress software license agreement.