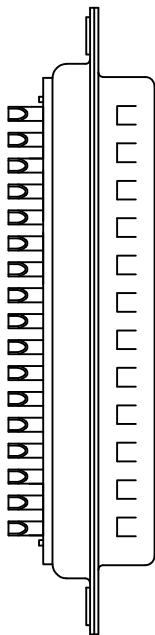
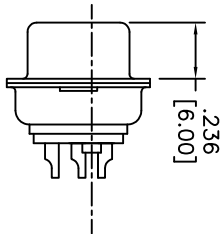
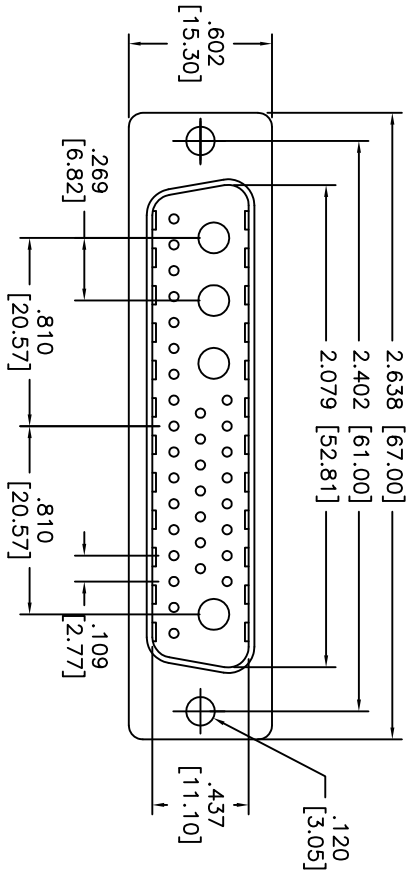


| Rev | AWO # | Description | Date | Appr |
|-----|-------|-------------|---------|------|
| - | | RELEASED | 5/25/11 | |

APPROVED: _____
 DATE: _____ TITLE: _____



SPECIFICATIONS:

- Material:** Insulator: PBT, glass reinforced, rated UL 94V-0
- Insulator color: Black
- Signal Contact: Brass, Gold plated
- Metal Shell: Steel, Nickel plated
- Plating:** Gold over Nickel underplate overall
- Electrical:** Signal contact: 5 Amp max
- Contact resistance: 10 mohms max
- Insulation resistance: 5,000 Mohms min
- Dielectric withstanding voltage: 1,000 VAC for 1 minute
- Environmental:** Temperature Rating: Operating temperature: -55°C to +125°C
- Lead free, RoHS compliant

ADAM TECH

909 Rahway Avenue, Union, NJ 07083
 Phone: 908-687-5000 Fax: 908-687-5710

TITLE
 D-SUB CONNECTOR, SIGNAL-COAX TYPE,
 PLUG, SOLDER CUP, NO COAX CONTACTS

| UNLESS OTHERWISE SPECIFIED ALL DIMENSIONS ARE INCHES [MM] | | TOLERANCES: EXCEPT AS NOTED | |
|--|---------|-----------------------------|---------------|
| .X | ± .10 | ØX | ± .10 |
| .XX | ± .020 | ØXXX | ± .015 |
| .XXX | ± .015 | ØXXXX | ± .010 |
| APPROVALS | | DATE | |
| DRAWN | DY | 5/25/11 | |
| CHECKED | | | |
| APPROVED | | | |
| REF: | S00019T | SCALE: | NTS |
| SIZE | X | PART NO. | D36W4PD-1-NCC |
| REV. | - | SHEET | 1 OF 1 |

