



**FEATURES:**

- RoHS compliant
- 24 Pin DIP Package
- Wide 4:1 input range
- Power modules for PCB mounting
- Over Voltage Protection
- Operating temperature -40°C to +75°C
- Regulated output
- Low ripple and noise
- Input/Output Isolation voltage 1500VDC
- Continuous Short Circuit Protection



**Models**  
Single output

Model	Input Voltage (V)	Output Voltage (V)	Output Current max (mA)	Max. Capacitive Load (μF)	Ripple & Noise typ.	Efficiency (%)
AM8TW-2403SIZ	9-36	3.3	1400	2000	80mV p-p	76
AM8TW-2405SIZ	9-36	5	1500	2000	80mV p-p	82
AM8TW-2412SIZ	9-36	12	620	300	120mV p-p	84
AM8TW-2415SIZ	9-36	15	500	300	150mV p-p	84
AM8TW-4803SIZ	18-75	3.3	1400	2000	80mV p-p	76
AM8TW-4805SIZ	18-75	5	1500	2000	80mV p-p	82
AM8TW-4812SIZ	18-75	12	620	300	120mV p-p	84
AM8TW-4815SIZ	18-75	15	500	300	150mV p-p	84
AM8TW-11005SIZ	36-160	5	1400	2000	80mV p-p	80
AM8TW-11012SIZ	36-160	12	580	300	120mV p-p	80
AM8TW-11015SIZ	36-160	15	460	300	150mV p-p	81
AM8TW-11024SIZ	36-160	24	290	300	240mV p-p	81

**Models**  
Dual output

Model	Input Voltage (V)	Output Voltage (V)	Output Current max (mA)	Max. Capacitive Load (μF)	Ripple & Noise typ	Efficiency (%)
AM8TW-2405DIZ	9-36	±5	±750	2000	80mV p-p	82
AM8TW-2412DIZ	9-36	±12	±310	300	120mV p-p	84
AM8TW-2415DIZ	9-36	±15	±250	300	150mV p-p	84
AM8TW-4805DIZ	18-75	±5	±750	2000	80mV p-p	82
AM8TW-4812DIZ	18-75	±12	±310	300	120mV p-p	84
AM8TW-4815DIZ	18-75	±15	±250	300	150mV p-p	83
AM8TW-11005DIZ	36-160	±5	±750	2000	80mV p-p	75
AM8TW-11012DIZ	36-160	±12	±310	300	120mV p-p	81
AM8TW-11015DIZ	36-160	±15	±250	300	150mV p-p	82

**Input Specifications**

Parameters	Conditions	Typical	Maximum	Units
Voltage range	24	9-36		VDC
	48	18-75		
	110	36-160		
Filter	π (Pi) Network			
Absolute Maximum Rating	24 Vin		40	VDC
	48 Vin		83	
Permissible absolute maximum duration			2	h

**Isolation Specifications**

Parameters	Conditions	Typical	Rated	Units
Tested I/O voltage	60 sec		1500	VDC
Resistance		> 1000		MOhm
Capacitance		1000		pF

## Output Specifications

Parameters	Conditions	Typical	Maximum	Units
Voltage accuracy		±2		%
Short Circuit protection		Continuous		
Short Circuit restart		Auto recovery		
Over voltage protection		Zener diode clamp		
Over load protection		Over 110% full load with auto recovery		
Line voltage regulation (Single)	HL-LL	±0.5		%
Line voltage regulation (Dual)	HL-LL	±0.5		%
Load voltage regulation (Single)	10-100%	±0.5		%
Load voltage regulation (Dual)	10-100%	±2		%
Temperature coefficient		±0.05		%/°C

## General Specifications

Parameters	Conditions	Typical	Maximum	Units
Switching frequency	100% load	300		KHz
Operating temperature	Derating above 70	-40 to +75		°C
Storage temperature		-55 to +115		°C
Max Case temperature			95	°C
Derating	Above 70			°C
Cooling		Free air convection		
Humidity			95	%
Case material		Nickel coated copper		
Weight		16		g
Dimensions (L x W x H)	Tolerance ±0.5mm	1.25 x 0.80 x 0.42 inches	31.80 x 20.30 x 10.80 mm	
MTBF		> 800 000 hrs (MIL-HDBK -217F, Ground Benign, t=+25°C)		

NOTE: All specifications in this datasheet are measured at an ambient temperature of 25°C, humidity<75%, nominal input voltage and at rated output load unless otherwise specified.

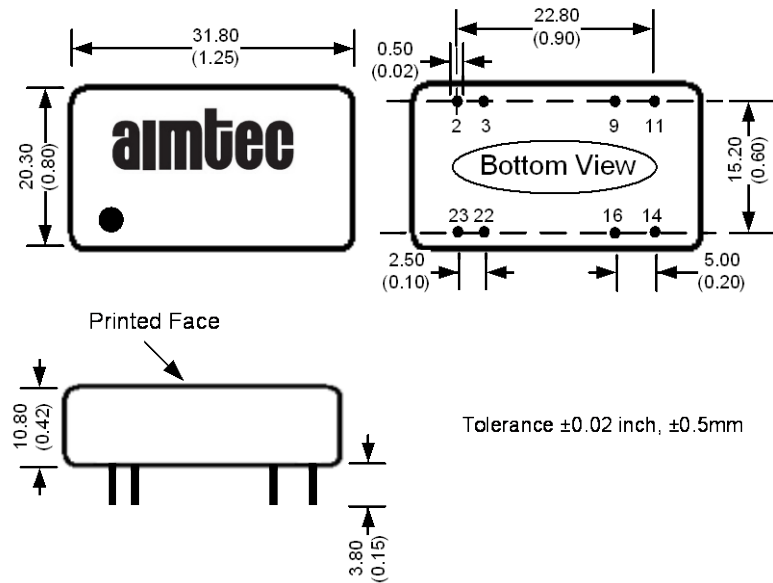
## Safety Specifications

Standards	
Agency approvals	CE
Safety	EN 55022: 2006 + A1: 2007, class A, with external circuit
	EN 55024: 1998 + A1:2001 + A2:2003
	IEC 61000-4-2: 2008
	IEC 61000-4-3: 2006 + A1: 2007
	IEC 61000-4-4: 2004, with external circuit
	IEC 61000-4-6: 2008
	IEC 61000-4-8: 2009

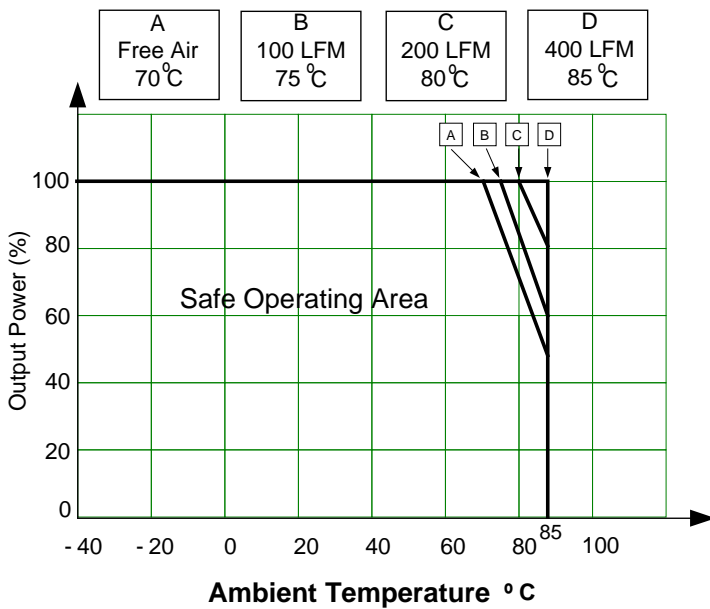
### Pin Out Specifications

Pin	Single	Dual
2	-V Input	-V Input
3	-V Input	-V Input
9	N.C.	Common
10	Omitted	Omitted
11	N.C.	-V Output
14	+V Output	+V Output
15	Omitted	Omitted
16	-V Output	Common
22	+V Input	+V Input
23	+V Input	+V Input

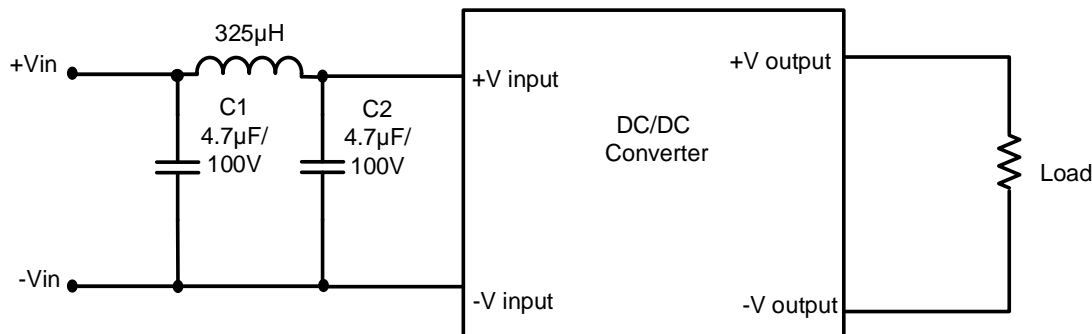
### Dimensions



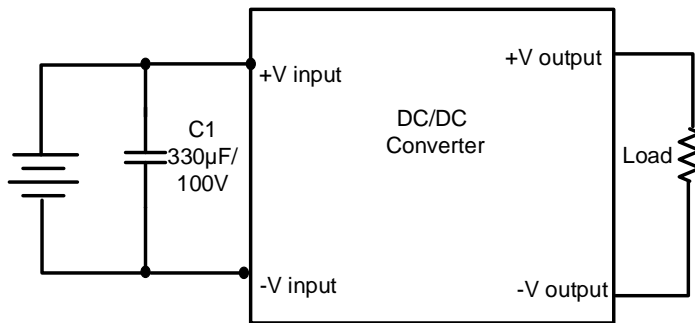
### Derating



### Recommended EMI external circuit:



Recommended EFT/Surge Protection circuit:



**NOTE:** **1.** Datasheets are updated as needed and as such, specifications are subject to change without notice. Once printed or downloaded, datasheets are no longer controlled by Aimtec; refer to [www.aimtec.com](http://www.aimtec.com) for the most current product specifications. **2.** Product labels shown, including safety agency certifications on labels, may vary based on the date manufactured. **3.** Mechanical drawings and specifications are for reference only. **4.** All specifications are measured at an ambient temperature of 25°C, humidity<75%, nominal input voltage and at rated output load unless otherwise specified. **5.** Aimtec may not have conducted destructive testing or chemical analysis on all internal components and chemicals at the time of publishing this document. CAS numbers and other limited information are considered proprietary and may not be available for release. **6.** This product is not designed for use in critical life support systems, equipment used in hazardous environments, nuclear control systems or other such applications which necessitate specific safety and regulatory standards other the ones listed in this datasheet. **7.** Warranty is in accordance with Aimtec's standard Terms of Sale available at [www.aimtec.com](http://www.aimtec.com).