

Customer Information Sheet

DRAWING No.: M80-853XXXX

SHEET 2 OF 2

IF IN DOUBT - ASK

(C)

NOT TO SCALE

THIRD ANGLE PROJECTION

ALL DIMENSIONS IN mm

ORDER CODE:
M80-853XXXX

TOTAL No. OF WAYS
04, 06, 08, 10, 12, 14, 16,
18, 20, 26, 34, 44

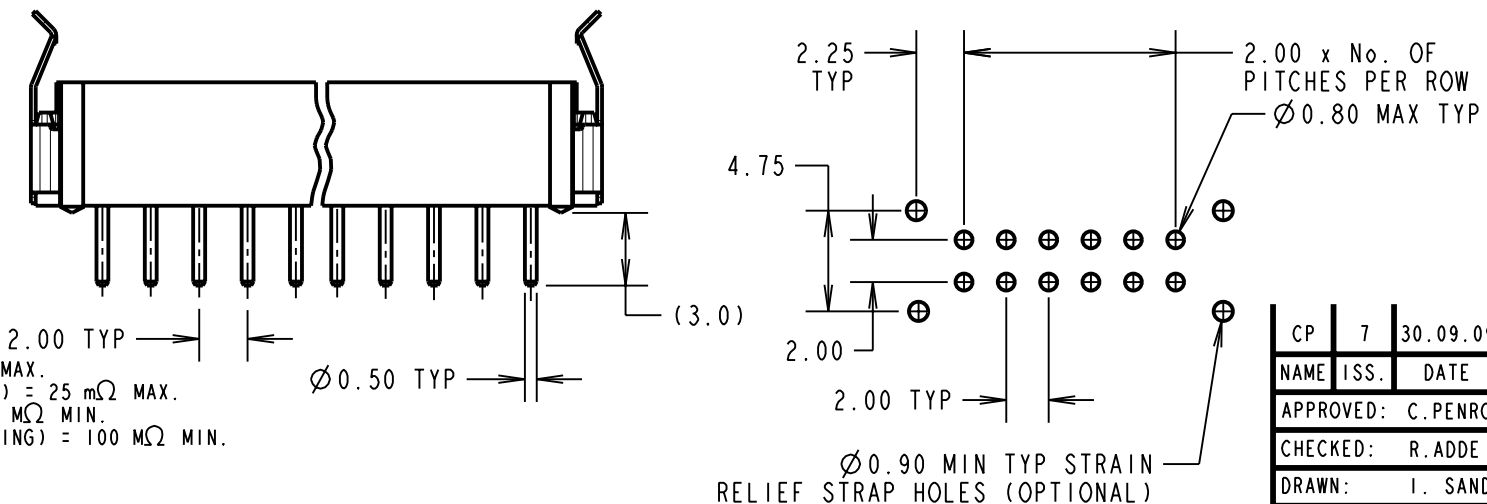
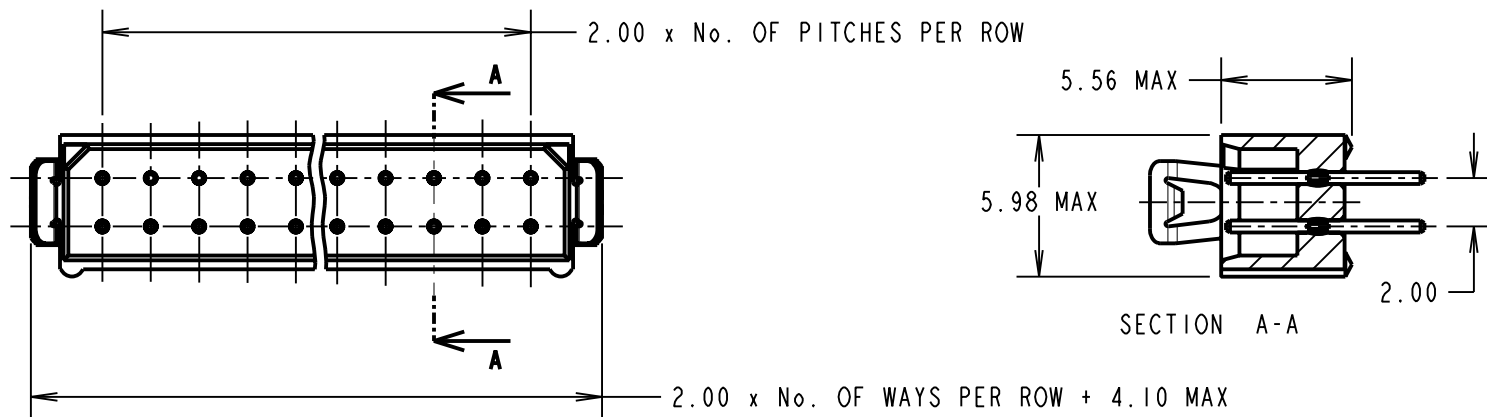
FINISH:
45 = GOLD
42 = SELECTIVE GOLD / 100% TIN

NOTES:
1. 2-OFF STRAIN RELIEF STRAPS
M80-0030006 MAY BE USED
WITH THIS CONNECTOR.

SPECIFICATIONS:
MATERIAL:
MOULDING = POLYAMIDE 46 UL94V-0, BLACK
CONTACTS = PHOSPHOR BRONZE
LATCHES = BERYLLIUM COPPER
FINISH:
CONTACTS:
45 = 0.75µ GOLD
42 = 0.75µ GOLD ON CONTACT AREA.
3.0µ 100% TIN ON TAILS
LATCH = 1.25µ NICKEL
ELECTRICAL:
CURRENT RATING (25°C) = 3.0A MAX.
CURRENT RATING (85°C) = 2.2A MAX.
WORKING VOLTAGE = 120V AC/DC
VOLTAGE PROOF = 360V AC/DC
CONTACT RESISTANCE (INITIAL) = 20 mΩ MAX.
CONTACT RESISTANCE (AFTER CONDITIONING) = 25 mΩ MAX.
INSULATION RESISTANCE (INITIAL) = 1000 MΩ MIN.
INSULATION RESISTANCE (AFTER CONDITIONING) = 100 MΩ MIN.

MECHANICAL:
DURABILITY = 500 OPERATIONS
ENVIRONMENTAL:
TEMPERATURE RANGE = -55°C TO +125°C
PACKING:
TUBE

FOR COMPLETE SPECIFICATION, SEE COMPONENT SPECIFICATION
C005XXX (LATEST ISSUE)



| | | | |
|---------------------|------|----------|--------|
| CP | 7 | 30.09.09 | 10303 |
| NAME | ISS. | DATE | C/NOTE |
| APPROVED: C.PENROSE | | | |
| CHECKED: R.ADDE | | | |
| DRAWN: I. SANDY | | | |
| CUSTOMER REF.: | | | |
| ASSEMBLY DRG: | | | |

RECOMMENDED PCB LAYOUT

HARWIN

HARWIN USA
TEL: 603 893 5376
FAX: 603 893 5396
mis@harwin.com

HARWIN Europe (UK)
TEL: 023 9231 4545
FAX: 023 9231 4590
mis@harwin.co.uk

HARWIN Asia
TEL: +65 6 779 4909
FAX: +65 6 779 3868
mis@harwin.com.sg

THIS DRAWING AND ANY INFORMATION OR DESCRIPTIVE MATTER SET OUT HEREON ARE CONFIDENTIAL AND COPYRIGHT PROPERTY OF THE HARWIN GROUP AND MUST NOT BE DISCLOSED, LOANED, COPIED OR USED FOR MANUFACTURING, TENDERING OR FOR ANY OTHER PURPOSE WITHOUT THEIR WRITTEN PERMISSION.

TOLERANCES
X. = ±1mm
X.X = ±0.25mm
X.XX = ±0.10mm
X.XXX = ±0.01mm
ANGLES = ±5°
UNLESS STATED

MATERIAL:
SEE ABOVE
FINISH: SEE ABOVE
S/AREA: mm²

TITLE: DATAMATE DIL
VERTICAL PC TAIL PLUG
ASSEMBLY - LATCHED (RoHS)
DRAWING NUMBER:
M80-853XXXX
SHT 2 OF 2