

PART  
NAME

TRANSPARENT BLUE NEMA ENCLOSURE

PART  
No.

BT-2723

UL FILE #194432

MATERIAL:

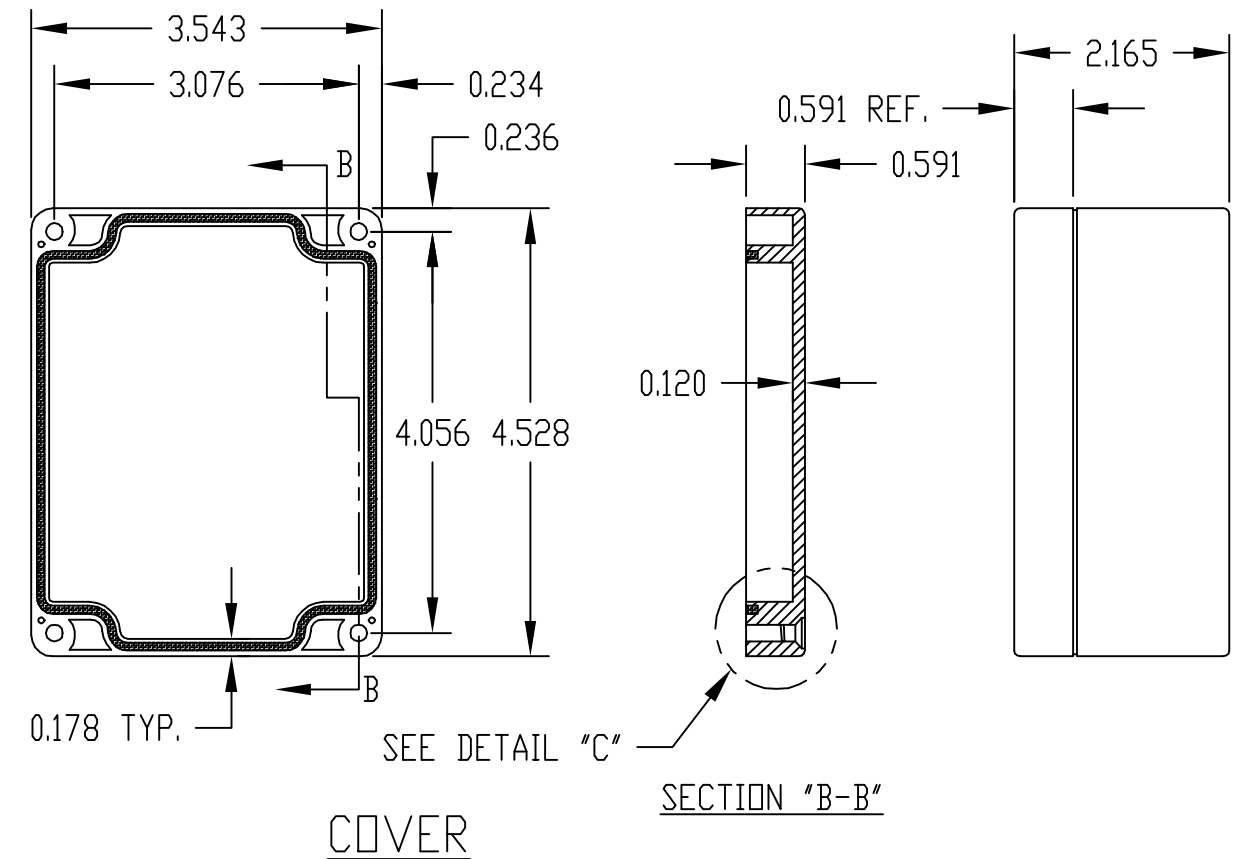
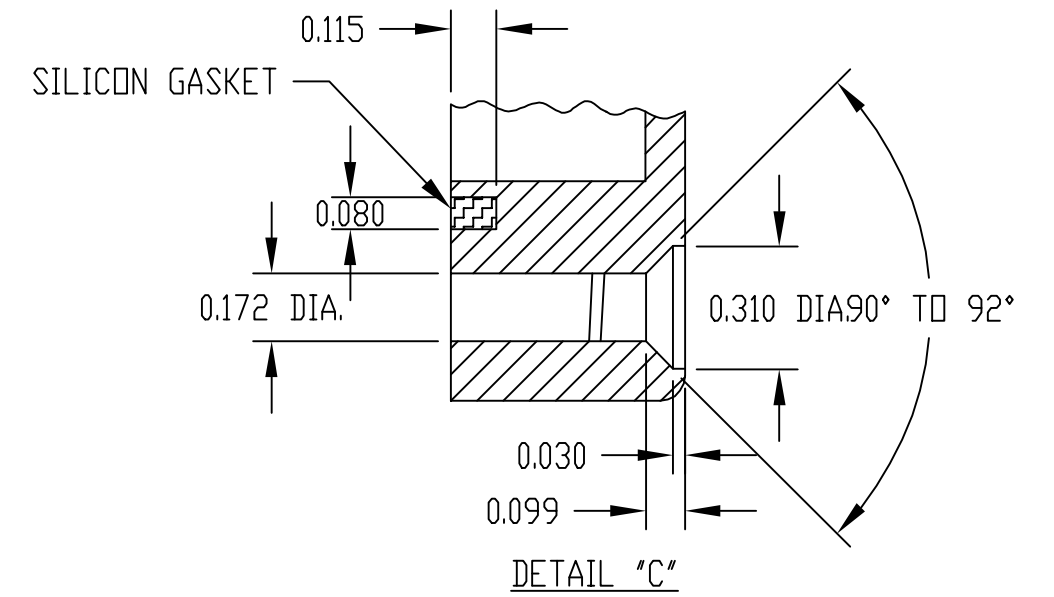
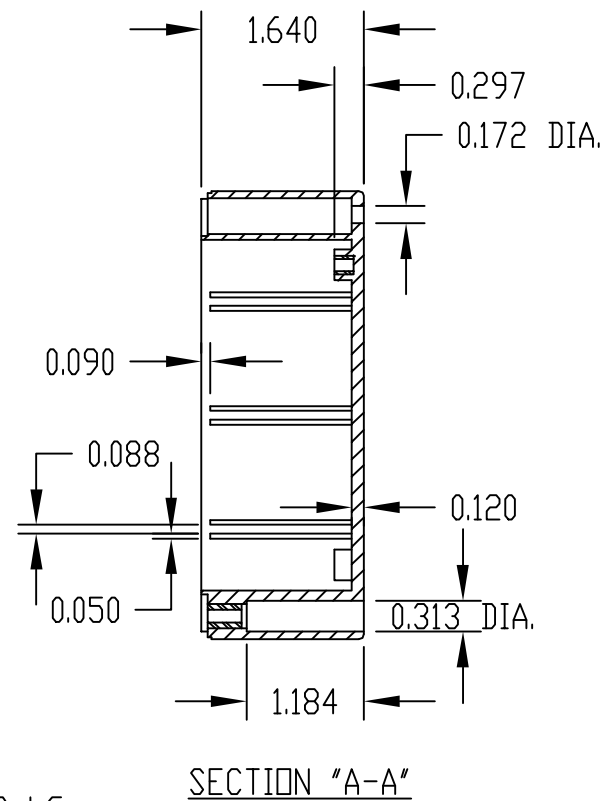
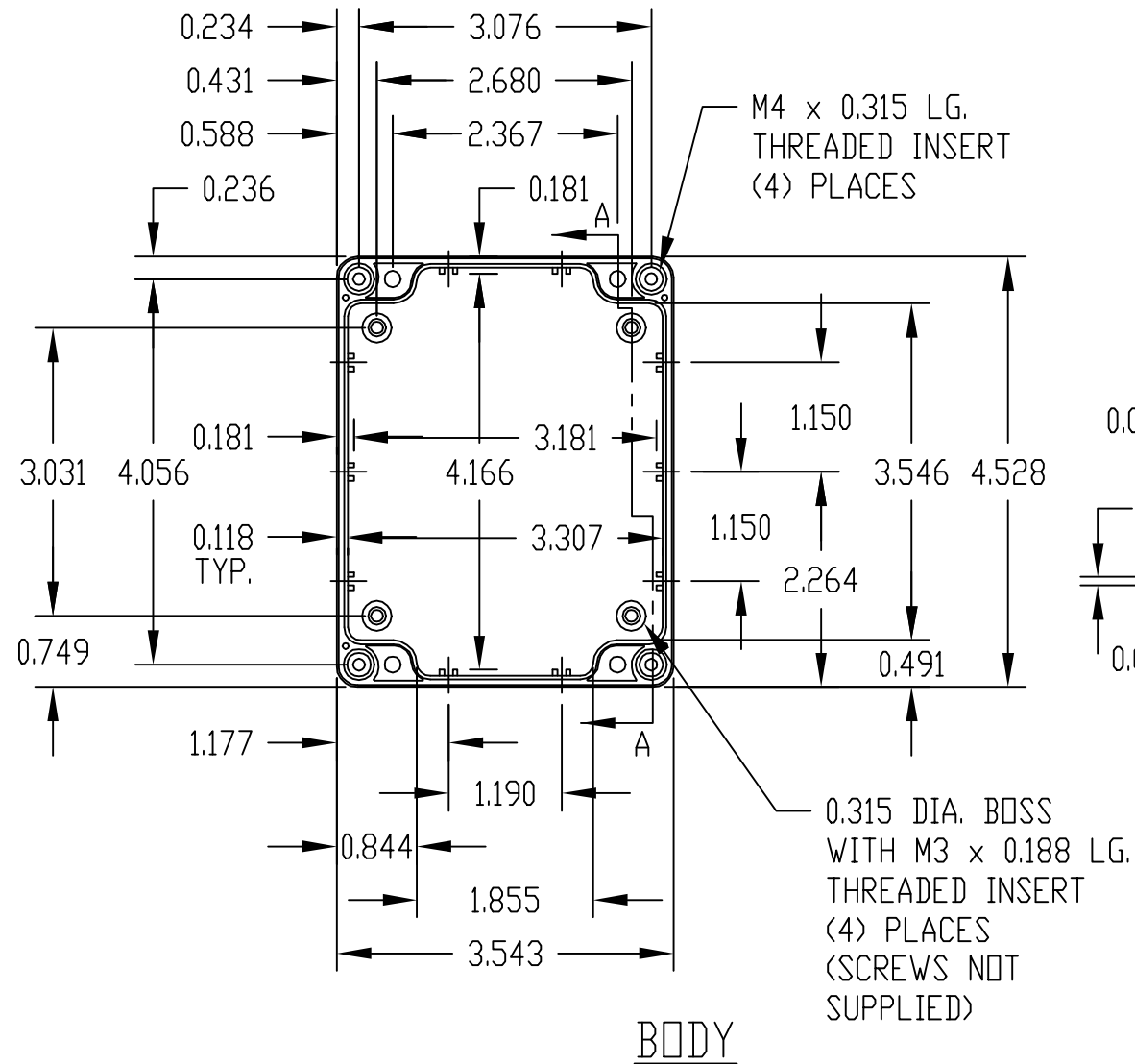
POLYCARBONATE, TRANSPARENT BLUE

UL94V-2 FLAMMABILITY RATING

UV STABILIZED

SERVICE TEMPERATURE RANGE:

-40°C TO +120°C



NOTE: ALL DIMENSIONS HAVE ±0.015 TOLERANCE UNLESS OTHERWISE SPECIFIED.

HARDWARE KIT
KIT CONTAINS (4) M4 x 20mm (0.787") LG. SCREWS FOR ASSEMBLY