

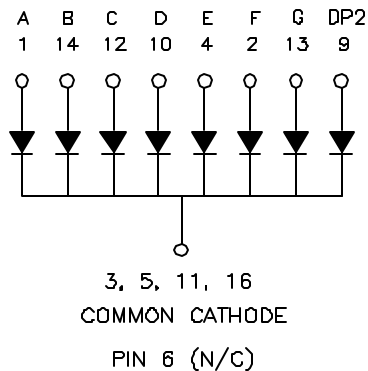
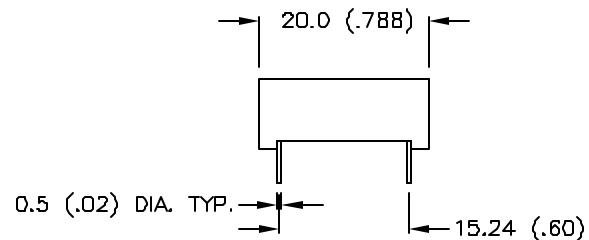
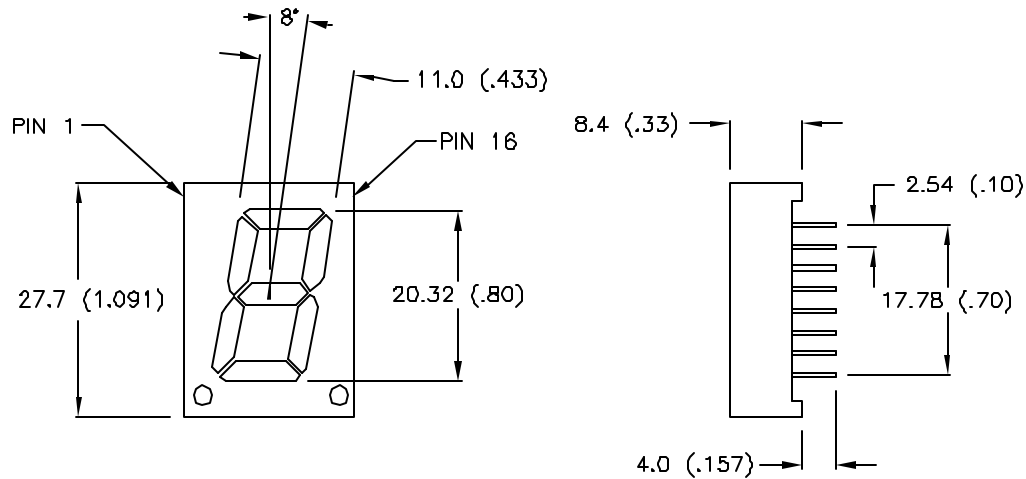
DATE

REVISIONS

REV

DRAWING NUMBER
LDS-C812RI

REV

UNLESS OTHERWISE SPECIFIED TOLERANCE IS $\pm 0.25\text{mm}$ ($\pm 0.010''$)

ELECTRO-OPTICAL CHARACTERISTICS $T_A=25^\circ\text{C}$ $I_f=20\text{mA}$

PARAMETER	MIN	TYP	MAX	UNITS	TEST COND
PEAK WAVELENGTH		565 (GREEN)		nm	
FORWARD VOLTAGE		2.0	2.8	V_f	
REVERSE VOLTAGE	4.0			V_r	$I_f=100\mu\text{A}$
AXIAL INTENSITY		2500		ucd	$I_f=20\text{mA}$
VIEWING ANGLE				$2 \times \theta$	
EMITTED COLOR	GREEN				
EPOXY SEGMENT	MILKY WHITE DIFFUSED				
FONT COLOR	GRAY				

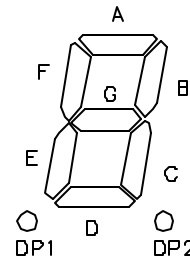
LIMITS OF SAFE OPERATION PER SEGMENT AT 25°C

PARAMETER	MAX	UNITS
PEAK FORWARD CURRENT*	150	mA
STEADY CURRENT	25	mA
POWER DISSIPATION	105	mW
DERATE FROM 25°C	-0.8	mW/ $^\circ\text{C}$
OPERATING, STORAGE TEMP	-40 TO +85	$^\circ\text{C}$
LEAD SOLDERING TEMP	+260	$^\circ\text{C}$
2.0mm FROM BODY		3 SEC. MAX

* $t < 10\mu\text{s}$

NOTES:

- UNITS: mm (INCHES). TOLERANCE: 0.25 (0.01"), UNLESS OTHERWISE SPECIFIED.
- I_v TESTED CONDITION $I_f=10\text{mA}$ AND THE LISTED I_v IS THE AVERAGE INTENSITY FOR EVERY SEGMENT LISTED.



LUMEX
OPTO COMPONENTS INC.

290 E. HELLEN ROAD
PALATINE, ILLINOIS 60067
(847) 359-2790

CONFIDENTIAL INFORMATION
THE INFORMATION CONTAINED IN THIS DOCUMENT IS THE PROPERTY OF LUMEX OPTO/COMPONENTS, INC. EXCEPT AS SPECIFICALLY AUTHORIZED IN WRITING BY LUMEX OPTO/COMPONENTS, INC., THE HOLDER OF THIS DOCUMENT SHALL KEEP ALL INFORMATION CONTAINED HEREIN CONFIDENTIAL AND SHALL PROTECT SAME IN WHOLE OR IN PART FROM DISCLOSURE AND DISSEMINATION TO ALL THIRD PARTIES.

DATE: 9-21-95 DWN: CHK'D: APPD:

SCALE: N/A

.8" SINGLE DIGIT, SEVEN SEGMENT DISPLAY, GREEN
GRAY/WHITE

PAGE 1 OF 1

DRAWING NUMBER
LDS-C812RI

REV