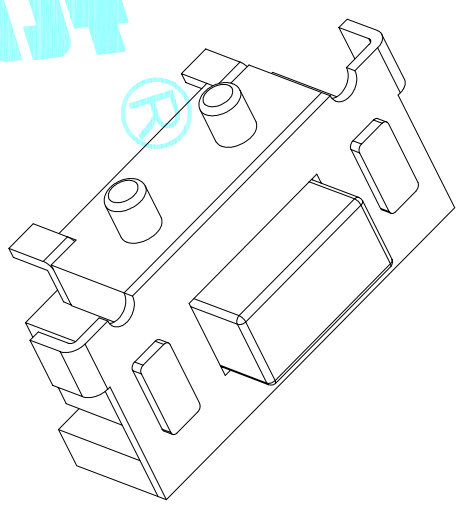


PCB Layout recommended

Circuit diagram



NO.1	
PART NO	VIGOR
3	180±35
4	250±35

NO.3-NO.4	
PART NO	NOTE
01~99	SERIAL NUMBER

NO.2	
PART NO	MATERIAL/QTY
S	SUS/1PC
D	SUS/2PCS

PART NO.	REMARK
K2-1112GA	K2-1112GN

ITEM	PART NAME	TER'NO.	QTY.	MATERIAL	FINISHING	REMARK
⑤	Terminal	—	2	Phosphor Bronze	Plating silver	—
④	Contact	—	2	F.Ag/SUS	Natural	—
③	Base	—	1	LCP	White	—
②	Cover	—	1	Brass(0.20t)	Plating Nickel	—
①	Keystroke	—	1	Silica gel Δ	Black	—

APPROVALS	DATE	TITLE:
DRAWN JKUN.LU	2015.3.28	TACT SWITCHS

APPROVALS	PART NO.	SCALE:	PROJ.
CHECKED	K2-1112GD-ADDW-00	1:1	PROJ.

ECN NO.	REV.	DATE.	DESCRIPTION.	CHANGE.	CHECK.	APPRO.
—	A	—	NEW	—	—	—