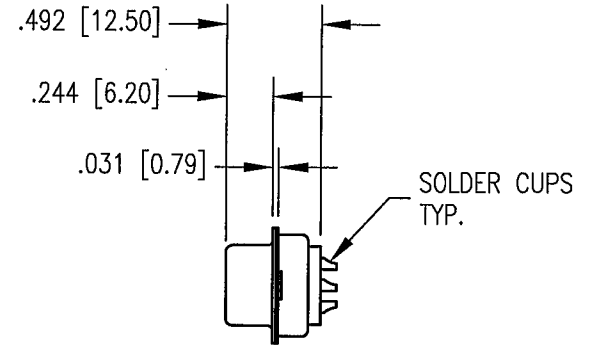
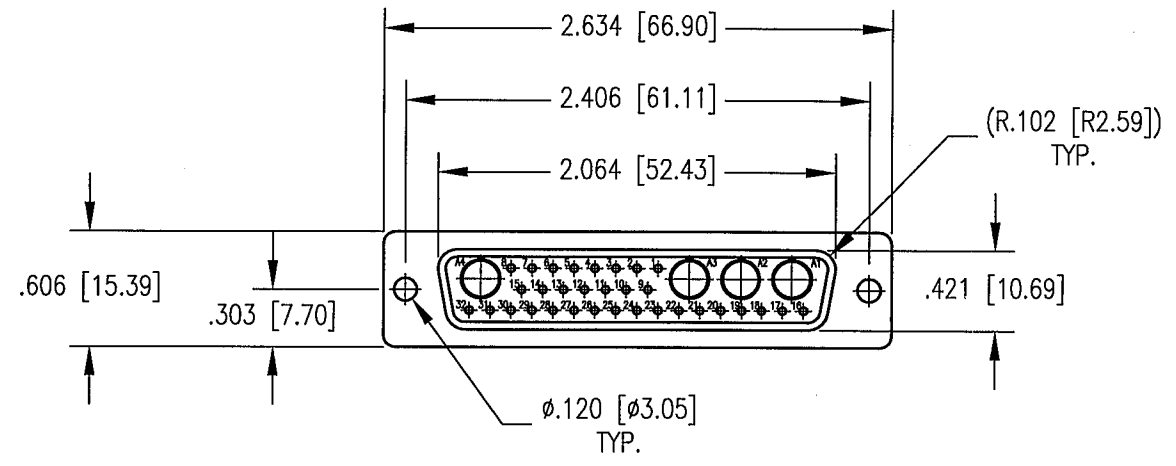
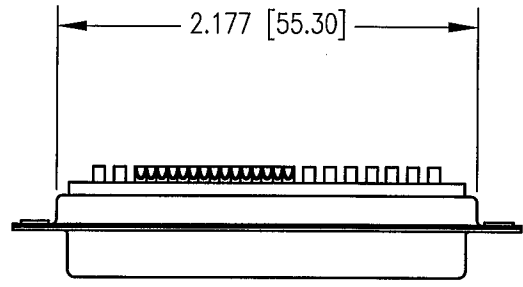


REV	DESCRIPTION	BY	DATE	APPD
A	RELEASE PER ECR 7489	JWH	9/25/02	[Signature]



NOTES:

1. MATERIALS:
 SHELL: COLD ROLLED STEEL PER ASTM A568
 INSULATOR: GLASS FILLED POLYESTER
 SIGNAL CONTACTS: COPPER ALLOY
2. FINISH:
 SHELL: YELLOW CHROMATE OVER ZINC PER ASTM B633
 SIGNAL CONTACTS: .000030 MIN. GOLD PER MIL-G-45204 OVER
 .000050 MIN. NICKEL PER QQ-N-290
 INSULATOR: GREEN

PER ASME Y14.5M-1994 UNLESS OTHERWISE SPECIFIED: DIMENSIONS ARE IN INCHES OR INCHES/MM TOLERANCES: DECIMALS .XX ± .01 [0.254] .XXX ± .005 [0.127] ANGLES ± 2° SCALE: 1:1		NORTHROP GRUMMAN Winchester Electronics 400 Park Road Watertown, CT 06795	
CUSTOMER DRAWING		TITLE 36W4S D-SUB CONNECTOR	
DRAWN JWH	DATE 9/25/02	PREPARED [Signature]	DATE 9/27/02
APPROVED [Signature]	DATE 9/26/02	APPROVED [Signature]	DATE 9/27/02
A RM36W4S-50-ZB		SH. OF 1 1	REV. A