



Leiditech

# SPECIFICATION FOR APPROVAL

**CUSTOMER:**

\_\_\_\_\_

**CUSTOMER P/N:**

\_\_\_\_\_

**MODEL NO.:**

XCDR0810T300S001

**QUANTITY:**

\_\_\_\_\_

**DATE:**

\_\_\_\_\_

**CUSTOMER APPROVAL SIGNATURE**

上海雷卯电子科技有限公司

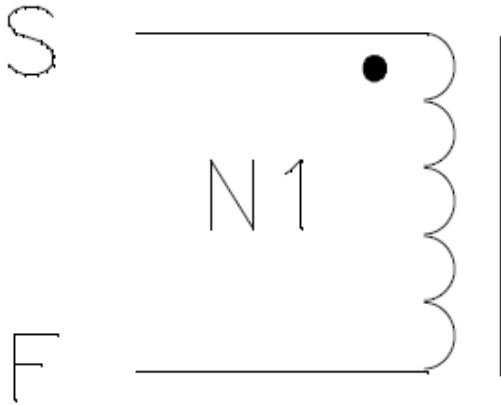
Shanghai Leiditech Electronic Technology Co.,Ltd





# APPROVAL SHEET

## 一、Schematic:



## 二、Winding:

## 三、Winding table:

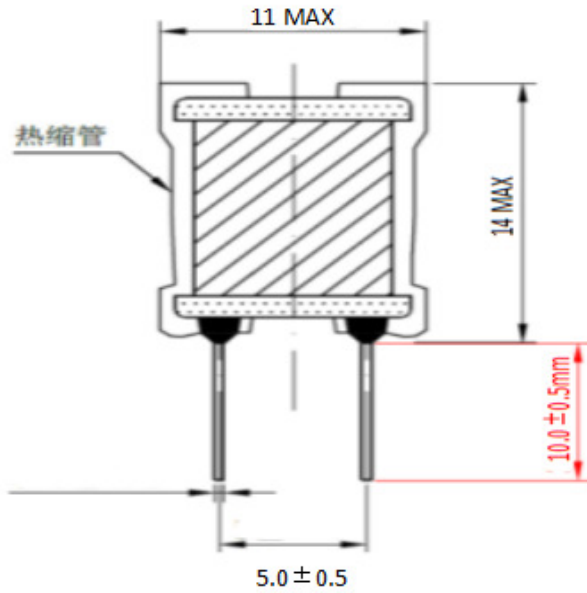
NO	TERMINAL		MAGNETIC WIRE	TURNS	INSULATI ON TAPE	MARGIN		TUBE	REMARK
	S	F				TAPE	PRI SEC		
N1	S	F	φ 0.50mm*1P	32.5REF	-	-	-	-	密绕

### REMARK:

- 1、绕线必须平整紧密，铜线不可刮伤受损；
- 2、外加UL热缩套管Φ9\*12mm；

上海雷卯电子科技有限公司  Shanghai Leiditech Electronic Technology Co.,Ltd.	CUSTOMER:		REV:	A	
	CUSTOMER P/N:	XCDR0810T300S001	DATE:	2018.03.13	
	MODEL NO.:		PAGE 2 OF 5		
	DESCRIPTION:	COIL			
APPROVED	李鹏飞	CHECKED	李鹏飞	PREPARED	黄志诚

## 四、MECHANISM (UNIT:mm):



## 五、ELECTRICAL TEST:

1、INDUCTANCE TEST:@ 1KHz 0.25V (CH3250)

L(S-F)=30 uH MIN

上海雷卯电子科技有限公司 Shanghai Leiditech Electronic Technology Co.,Ltd.	CUSTOMER:		REV:	A	
	CUSTOMER P/N:	XCDR0810T300S001	DATE:	2018.02.05	
	MODEL NO.:		PAGE 3 OF 5		
	DESCRIPTION:	COIL			
APPROVED	李鹏飞	CHECKED	李鹏飞	PREPARED	黄志诚



Leiditech

# APPROVAL SHEET

MATERIAL LIST:(材料表)			
ITEM	MATERIAL	MANUFACTURER	UL NUMBER
CORE	DR8*10 S3A	FUZHUYUAN	
WIRE	UEW	JUNG SHING ✓	E174837
	UEW	PACIFIC	E201757
INSULATION TAPE			
TUBE	T-2	QUANTAI	E227336
PCB			
EPOXY			
VARNISH			
TIN	107H	THOUSAND ISLAND ✓	
	SN99.3%/CU0.7%	XIDA	

上海雷卯电子科技有限公司 Shanghai Leiditech Electronic Technology Co.,Ltd.		CUSTOMER:		REV:	A
		CUSTOMER P/N:	XCDR0810T300S001	DATE:	2018.03.13
		MODEL NO.:		PAGE 4 OF 5	
		DESCRIPTION:	COIL		
APPROVED	李鹏飞	CHECKED	李鹏飞	PREPARED	黄志诚



# APPROVAL SHEET

**A:ELECTRICAL TEST:**
**INDUCTANCE TEST: @L(S-F)= 30 uH MIN CD-1068**

TEST CONDITION	1KHz 0.25V									
	(S-F)									
1	34.60									
2	34.80									
3	34.50									
4	34.50									
5	33.90									
6	34.30									
7	35.40									
8	35.60									
9	34.50									
10	34.40									

<b>NO.</b>	1	2	3	4	5	6	7	8	9	10
------------	---	---	---	---	---	---	---	---	---	----

**DCR TEST(UNIT:Ω): @ 25°C**

DCR= (S-F) 75mΩ MAX	53.65	53.57	54.18	53.61	53.63	53.61	53.81	53.69	53.63	53.57

**HI-POT TEST: @**


**INSULATION RESISTANCE TEST:**


**B: OUTER DIMENSIONS(UNIT:mm):(外观尺寸)**

A: 宽11 MAX	9.66	9.69	9.66	9.69	9.68	9.67	9.59	9.58	9.56	9.70
B: 高 14MAX	12.24	12.28	12.17	12.23	12.24	12.25	12.18	12.20	12.21	12.30
C: PIN长10±0.5	10.03	10.04	10.08	10.13	10.20	10.09	10.10	10.18	9.93	10.21
D: PIN距 5.0±0.5	4.97	5.01	5.07	4.98	5.04	5.08	4.99	5.03	5.05	5.02

**REMARK:**

<b>上海雷卯电子科技有限公司</b>  Shanghai Leiditech Electronic Technology Co.,Ltd.	CUSTOMER:		REV:	A
	CUSTOMER P/N:	XCDR0810T300S001	DATE:	2018.03.13
	MODEL NO.:		PAGE 5 OF 5	
	DESCRIPTION:	COIL		

APPROVED	李鹏飞	CHECKED	李鹏飞	PREPARED	黄志诚
----------	-----	---------	-----	----------	-----