

2mm Travel Thin Type Slide Switch SLM-750 Series

1/4

□ Features

- <>2mm travel.
- <>Thin type only 2mm height
- <>Recoil type.
- <>It is a reflow solder mounting type.
- <>Taping package.



□ Applications

- <> Signal switching for CD/MD/DVD such a portable audio, digital camera, remote control etc.

□ Products line

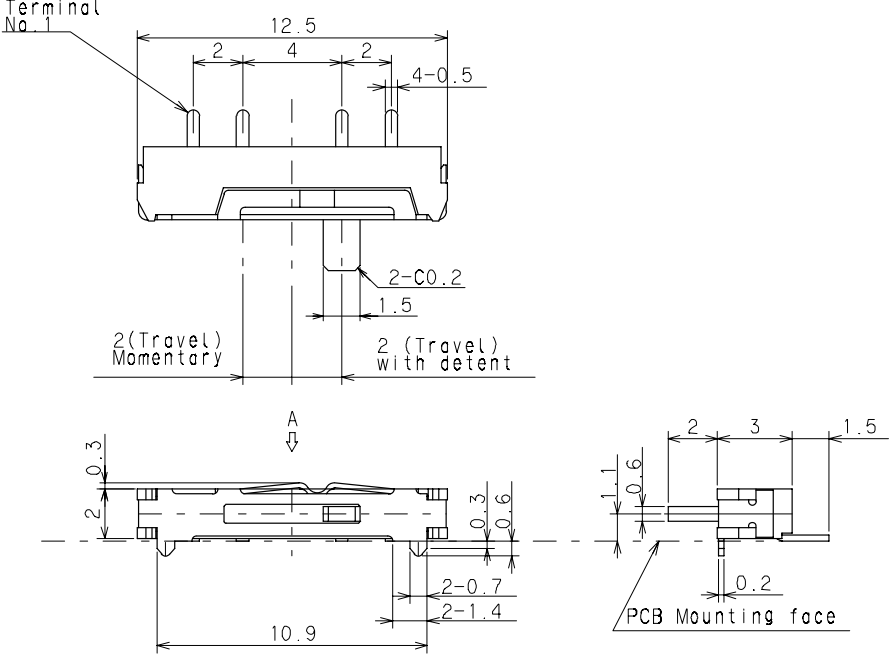
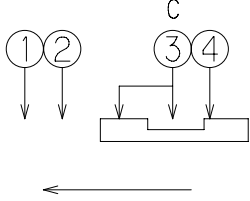
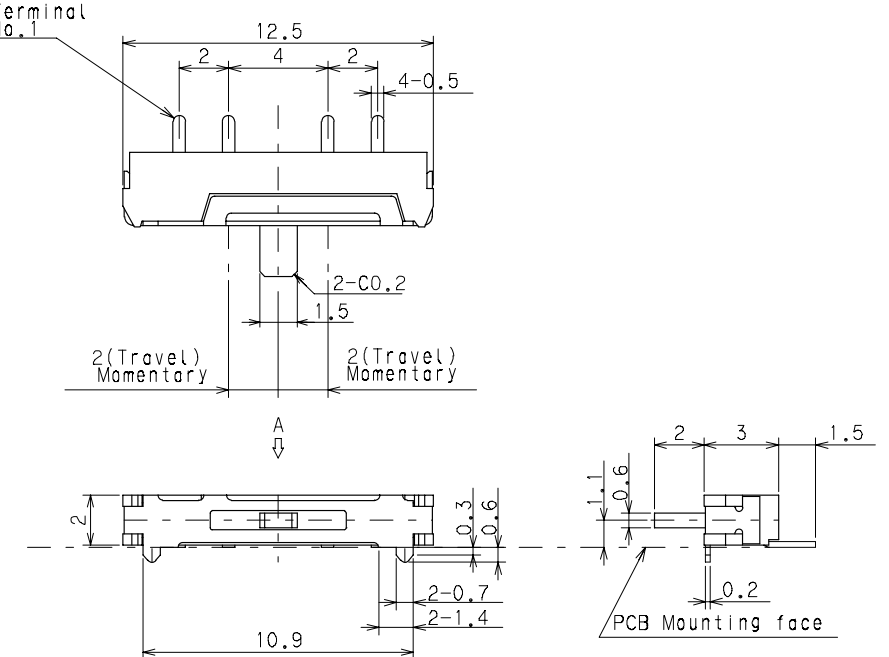
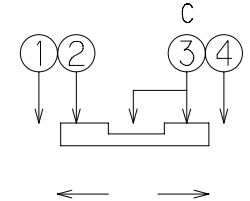
No	Products number	Poles	Positions	Operation mechanism
1	SLM-13-750-1-T23	1	3	Single-side recoil
2	SLM-13-750A-T23	1	3	Double-side recoil
3	SLM-13-750B-T23	1	3	Single-side recoil

□ Typical specifications

Items	Specifications
Rating (max) (resistive load)	0.3A 4VDC
Contact resistance	70 milliohm
Insulation resistance	100 megohm
Withstanding voltage	500VAC 1min.
Operating force	Refer to the dimensions
Operating life	10,000 cycles
Operation temperature range	From -10 to +60 degree Celsius
Storage temperature range	From -25 to +70 degree Celsius

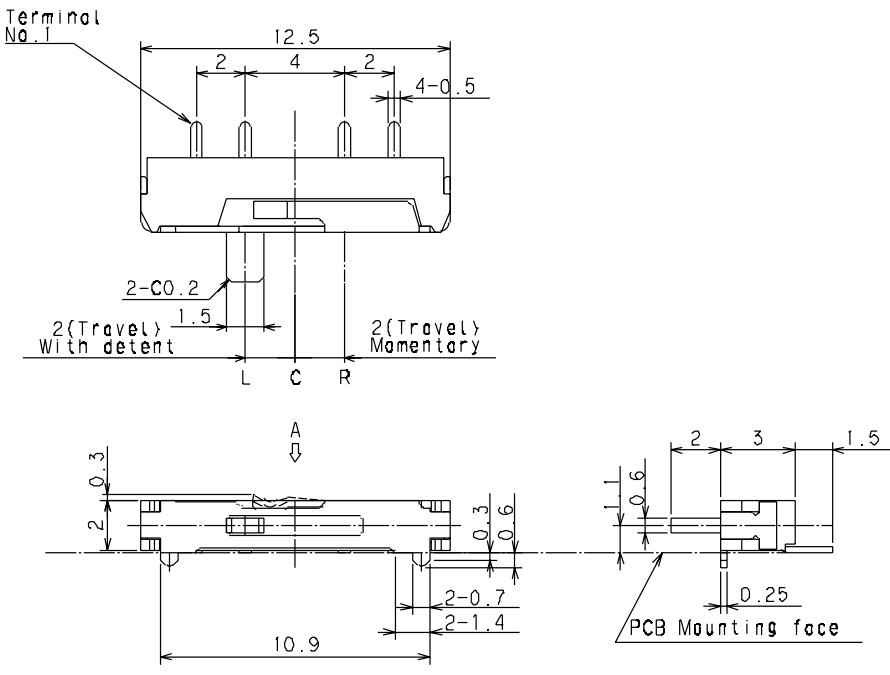
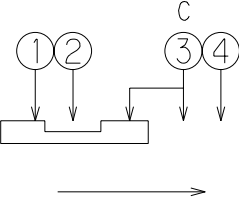
Dimensions

Unit : mm

No	Style	Circuit diagram
1	<p>SLM-13-750-1-T23</p>  <p>Terminal No. 1</p> <p>12.5</p> <p>2 4 2 4-0.5</p> <p>2-C0.2</p> <p>1.5</p> <p>2 (Travel) Momentary</p> <p>2 (Travel) with detent</p> <p>A</p> <p>0.3</p> <p>2</p> <p>0.3</p> <p>0.6</p> <p>2-0.7</p> <p>2-1.4</p> <p>10.9</p> <p>1.1</p> <p>0.6</p> <p>2 3 1.5</p> <p>0.2</p> <p>PCB Mounting face</p> <p>Operating force : From C to R, 1.25 from 3.25N From R to C, 0.75 from 2.75N From C to L, 1 from 2.05N</p>	
2	<p>SLM-13-750A-T23</p>  <p>Terminal No. 1</p> <p>12.5</p> <p>2 4 2 4-0.5</p> <p>2-C0.2</p> <p>1.5</p> <p>2 (Travel) Momentary</p> <p>2 (Travel) Momentary</p> <p>A</p> <p>0.3</p> <p>2</p> <p>0.3</p> <p>0.6</p> <p>2-0.7</p> <p>2-1.4</p> <p>10.9</p> <p>1.1</p> <p>0.6</p> <p>2 3 1.5</p> <p>0.2</p> <p>PCB Mounting face</p> <p>Operating force : 1 from 2.05N</p>	

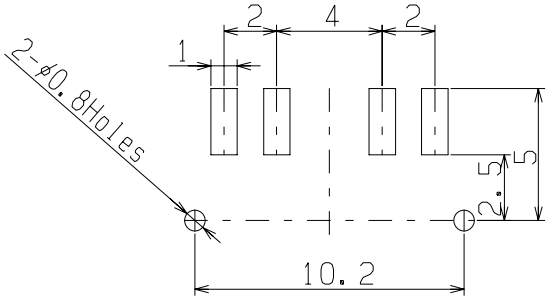
Dimensions

Unit : mm

No	Style	Circuit diagram
3	<p>SLM-13-750B-T23</p>  <p>Operating force : C to R, 1 from 2.05N From L to C 0.75 from 2.75N From C to L 1.25 from 3.25N</p>	

Dimensions

Unit : mm

Round pattern dimension (TOP VIEW)	
	

Notes

1. The appearance and specifications of the product may be modified to improve its performance without prior notice.
2. This catalog shows only outline specifications. When using the product, please obtain formal specifications.
3. Regardless of the applications of these products being introduced in this catalog, when using them for equipments and devices requiring a high degree of safety, respective manufacturers shall preserve the safety of the planned equipments and devices by providing necessary protective and redundancy circuits and reconfirm if safety is being duly preserved.
4. The general-use switches cannot be washed. If the switch is washed, the lubricating oil on contacts and mechanical portions may flow out and also detergent remains inside the switch, these may be the factors to cause intermittent contact, insulation fault and withstanding voltage fault. If you need the cleaning, please select the washable switch.

5. The printed circuit board and outer material of switch are normally non-flame resisting. If you need flame resisting material, please select the proper class to meet your application.
6. Note that if the stress more than specifications is applied to the switch during the operation, they might cause deformation and defects in electrical performance. Care shall be taken not to apply abnormal stress to the switch.
7. Make the soldering according to the temperature and time specified in the specification sheets, catalogue and so on. If the soldering is made with the conditions out of the specifications, there may be the deformation of the mounting board and the composition parts of switches, the loose of terminals, detachment of the parts and the deterioration of the electrical characteristics.
8. Characteristics of switch may change due to the warping of the circuit writing board. Consideration should be given to the pattern design and layout.
9. In case the soldering is done twice, the second soldering shall be made after the temperature at the first soldering portion becomes the room temperature. If it will be made consecutively, there is the possibility of the deformation of PC board and peripheral parts, the loose of terminals, detachment of the parts and the deterioration of the electrical characteristics.
10. In case of the soldering of the slide switches, it shall be made after the operating knob changes over completely. If the soldering goes on in course of switching, operating force may fall greatly.
11. In manual soldering, consider that the abnormal pressure of the soldering iron shall not be applied to the tip of the terminal as well do not apply any pressure for more than 1 minute after soldering.
12. Since there is a possibility of the melting of the soldering flux and the penetration into inside of the switch after soldering, do not wipe off flux with the solvent.
13. If the switches are used in the following environment, the performance and the characteristics may have bad influence. Under the environment of corrosive gas such as Cl₂, H₂S, NO₂, SO₂, NH₃.
At the place of the possibility of the attachment of water-drop, moisture, salty water, oil, agent and organic solvent. Under the places of direct sunshine and dusty environment.
14. If the switches are not used immediately, please store them as delivered in the following environment: with temperature at -10 to +60 degree C, relative humidity 25 to 75% without water-drop and direct sunshine. There might be the possibility of the chemical action by sulfur at silver plated terminal, which leads to the reduction of solderability and creation of the oxidization and the rust if the switches are stored in the high temperature and high humid environment for a long time (approx. 6 months). After the break of the seal, the remaining of the switches shall be stored in a plastic bag to separate them from the moisture and corrosive gas.