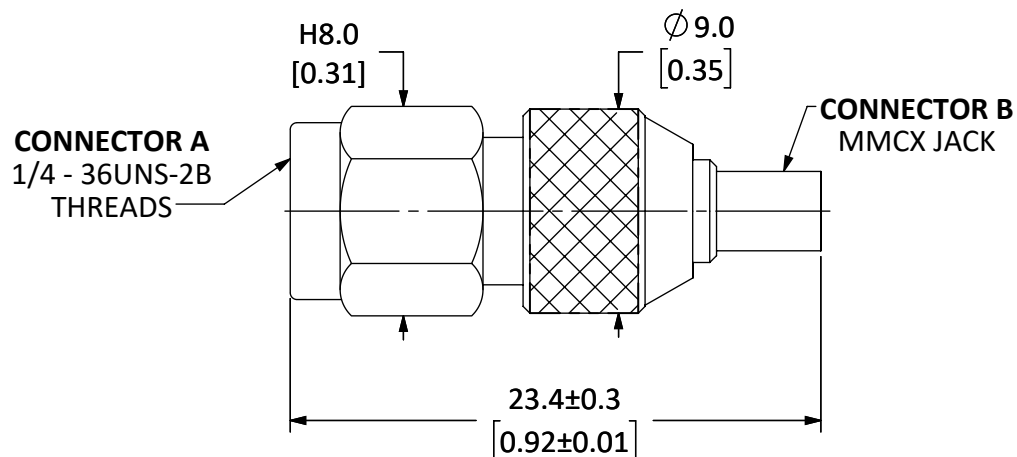


|  |                 |        |             |        |
|--|-----------------|--------|-------------|--------|
| Connector A: SMA Plug (Male Pin)       |                 |        |             |        |
| Connector B: MMCX Jack (Female Socket) |                 |        |             |        |
| Body Style                             | Straight        |        |             |        |
|  | Connector A     |        | Connector B |        |
| Connector Part                         | Material        | Finish | Material    | Finish |
| Body                                   | Brass           | Gold   | Brass       | Gold   |
| Shell                                  | Brass           | Gold   | -           | -      |
| Center Contact                         | Be Cu           | Gold   | Be Cu       | Gold   |
| Insulator                              | PTFE            | -      | PTFE        | -      |
| Washer                                 | Stainless Steel | -      | -           | -      |
| Gasket                                 | Silicone Rubber | -      | -           | -      |

| REVISIONS |  |           |      |
|-----------|--|-----------|------|
| REV       | DESCRIPTION                              | DATE      | APPV |
| A         | INITIAL RELEASE OF LINX INTERNAL DRAWING | 9/OCT/17  | CLL  |
| B         | ADDED ADDITIONAL SPECIFICATIONS TABLES   | 17/JAN/19 | SH   |

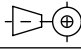


NOTES: (UNLESS OTHERWISE SPECIFIED)

- ALL DIMENSIONS ARE IN mm [INCHES].
- DIMENSIONS APPLY AFTER FINISHING.
- MANUFACTURE TO BE COMPLIANT WITH EU RoHS DIRECTIVE, USE MATERIALS THAT DO NOT CONTAIN REACH SUBSTANCES OF VERY HIGH CONCERN >1000ppm, AND USE DRC CONFLICT-FREE SOURCED MATERIALS.
- SAFETY BREAK ALL SHARP CORNERS AND EDGES 0.5 MAXIMUM.
- SEE TABLE I FOR ELECTRICAL SPECIFICATIONS. (SHEET 2)
- SEE TABLE II FOR ENVIRONMENTAL SPECIFICATIONS. (SHEET 2)
- SEE TABLE III FOR MECHANICAL SPECIFICATIONS. (SHEET 2)



**WARNING:** THIS DRAWING CONTAINS PROPRIETARY INFORMATION THAT IS THE SOLE PROPERTY OF LINX TECHNOLOGIES, AND SHALL BE TREATED AS SUCH. NO DISCLOSURE OR REPRODUCTION OF THIS DOCUMENT IS PERMITTED, IN WHOLE OR IN PART, WITHOUT THE EXPRESS WRITTEN PERMISSION OF LINX TECHNOLOGIES OR ITS DESIGNATED AGENTS.

|           |  |   |
|-----------|--|---|
| MATERIAL: | TOLERANCES:<br>0.50 [.020]-5.00 [.200]= ±0.20 [.008]<br>5.00 [.200]-30.00 [1.200]= ±0.40 [.016]<br>30.0 [1.20]-120.0 [4.75]= ±0.60 [0.24]<br>120.0 [4.75]-315.0 [12.40]= ±1.0 [.040] | PROJECTION:<br><br>ANGLES: ±1° |
| FINISH:   | DRAWN: M. SCHULTE<br>ENGR: D. VARATHARAJAN   | DT: 30/OCT/18<br>DT: 17/JAN/19  |

|  |                      |                                  |
|--|----------------------|----------------------------------|
| <b>Linx</b>  |                      | 159 ORT LANE<br>MERLIN, OR 97532 |
| TITLE:<br>ADAPTER, SMA PLUG (MALE PIN)<br>TO MMCX JACK (FEMALE SOCKET) |                      |                                  |
| SIZE   | DWG. NO.             | REV                              |
| <b>A</b>   | ADP-SMAM-MMXF        | <b>B</b>                         |
| SCALE: 3:1   | DO NOT SCALE DRAWING | SHEET 1 OF 2                     |

**5** TABLE I

| Electrical Data            | Detail                        |                      |
|----------------------------|-------------------------------|----------------------|
| Impedance                  | 50 $\Omega$                   |                      |
| Frequency Range            | 0 to 6 GHz                    |                      |
| VSWR                       | $\leq 1.25 : 1$               |                      |
| Insulation Resistance      | 5 000 M $\Omega$ min.         |                      |
| Voltage Rating             | 170 V RMS                     |                      |
|                            | Connector A                   | Connector B          |
| Contact Resistance, Center | 10.0 m $\Omega$ max.          | 10.0 m $\Omega$ max. |
| Contact Resistance, Outer  | 5.0 m $\Omega$ max.           | 5.0 m $\Omega$ max.  |
| Insertion Loss             | 0.06 dB max. x $\sqrt{f}$ GHz | –                    |
| RF Leakage                 | -60 dB min. @ 3 GHz           | –                    |

**6** TABLE II

| Environmental Data       | Detail                                  |
|--------------------------|---|
| Corrosion (Salt spray)   | ASTM B-117                              |
| Thermal Shock            | MIL-STD-202 Method 107 test condition B |
| Vibration                | MIL-STD-202 Method 204 test condition D |
| Mechanical Shock         | MIL-STD-202 Method 213 test condition I |
| Temperature Range        | -55 °C to +125 °C                       |
| Environmental Compliance | RoHS                                    |

**7** TABLE III

| Mechanical Data              | Detail                      |                 |
|------------------------------|-----------------------------|-----------------|
| Mounting Type                | Free Hanging (In-Line)      |                 |
| Interface In Accordance With | MIL-STD-348A & BS EN 122340 |                 |
| Weight                       | 5.9 g (0.21 oz)             |                 |
|                              | Connector A                 | Connector B     |
| Fastening Type               | 1/4"-36 Threaded Coupling   | Snap-on         |
| Recommended Torque           | 0.9 N·m (8 in·lbs)          | –               |
| Coupling Nut Retention       | 60 lbs. min.                | –               |
| Connector Durability         | 500 cycles min.             | 500 cycles min. |

|            |                      |              |
|------------|----------------------|--------------|
| SIZE       | DWG. NO.             | REV          |
| <b>A</b>   | <b>ADP-SMAM-MMXF</b> | <b>B</b>     |
| SCALE: 1:1 | DO NOT SCALE DRAWING | SHEET 2 OF 2 |