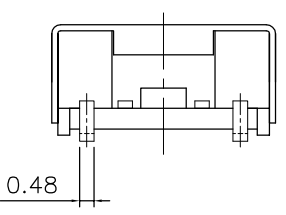
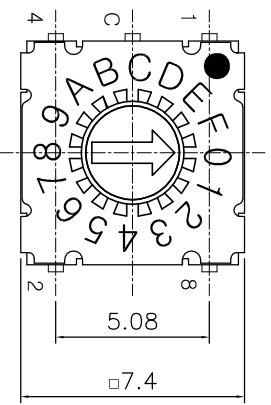
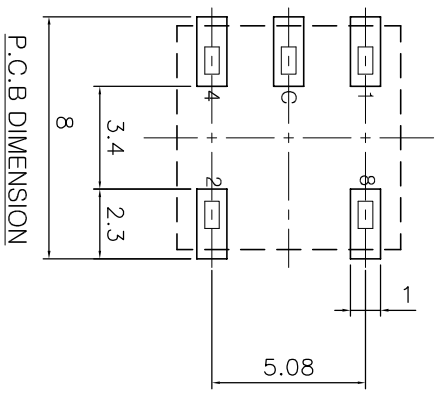
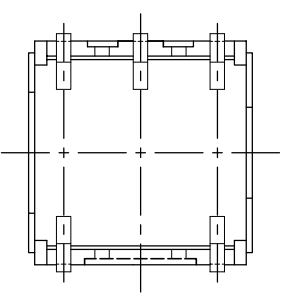
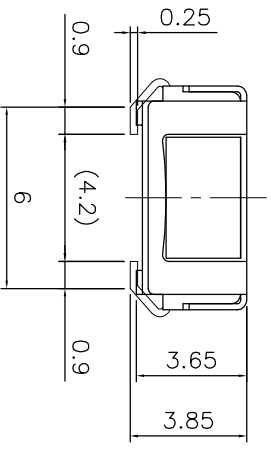


MRK.	DATE	REVISION	SIGN
------	------	----------	------



SPECIFICATION

- Operating Voltage : 50V (None—Switching : 100mA) (Switching : 100mA)
- Contact Resistance : 100mΩ Max
- Insulation Resistance : 100MΩ Min
- Operating Force : 200gf Max
- Life Cycle : 10,000 steps
- Sealing : Comparable IP67



		Real Coded									
		C	1	2	4	8					
0		●									
1			●								
2				●							
3					●						
4						●					
5							●				
6								●			
7									●		
8										●	
9											●
A		●									
B			●								
C				●							
D					●						
E						●					
F							●				

DRAW/DESIGNED	CHECKED	APPROVED	UNIT	SCALE	TITLE	DRAW NO.	SHEET
			mm	4:1	MSDR-10J MINI ROTARY SWITCH	MSDR-16JC-01	1/1
2016-11-21							
SUNGUM ELECTRONICS CO.,LTD				SIZE			
				A4			