

6

5

4

3

2

1

MATERIAL AND FINISH:

Insulator: Polycarbonate, UL-94V-0 rated
Contacts: Brass, Nickel plated

ELECTRICAL SPECIFICATIONS:

Current rating: 10 A
Voltage rating: 250 VAC
Insulation resistance: 100 Mohm min. at 500 VDC
Dielectric withstanding voltage: 2000 VAC for one minute



ORDERING CODE:

42R32-3 - - -
1 2 3 4

1) COLOR

- 1 = BLACK
- 2 = GRAY

2) TERMINAL OPTIONS

- 1 = .187(4.8)
- 2 = .250(6.3)

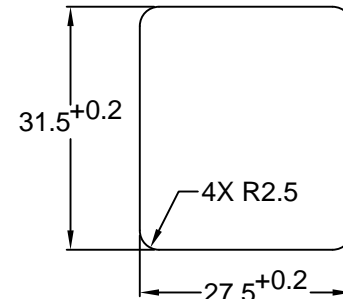
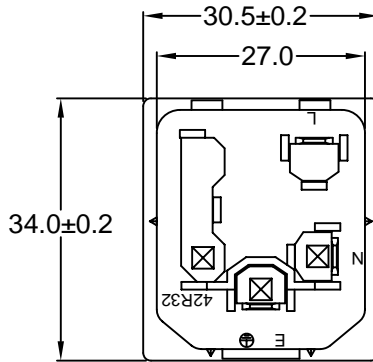
3) ELECTRICAL CIRCUIT CONFIGURATION

1 = 10A 250V 70°C
2+GROUND

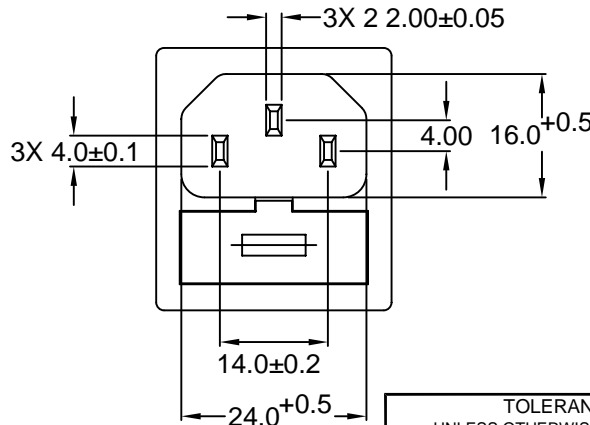
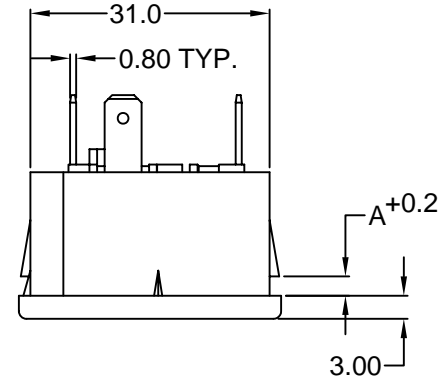
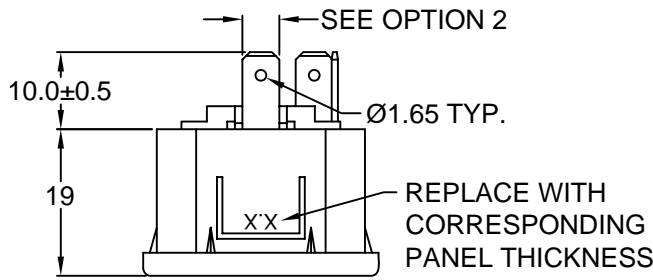
2 = 10A 250V 120°C
2+GROUND

4 = 10A 250V 70°C
2 POLE

4) PANEL THICKNESS



RECOMMENDED PANEL CUTOUT



P/N	A	MAX. PANEL THICKNESS
42R32-3XXX-150	1.5	1.5
42R32-3XXX-200	2.0	2.0
42R32-3XXX-250	2.5	2.5

ADDITIONAL PANEL THICKNESS AVAILABLE ON REQUEST

Power Dynamics, Inc.
Phone: 973 560-0019 Whippany, New Jersey Fax: 973 560-0076

PART: IEC 60320 SINGLE FUSE HOLDER APPL. INLET;
QUICK CONNECT TERMINALS; SNAP-IN

42R32-3XXX-XXX SHEET 1 of 1

SCALE: NTS ALL DIMENSIONS FOR REFERENCE ONLY
DIMENSIONS ARE IN MILLIMETERS REV:

TOLERANCE UNLESS OTHERWISE SPECIFIED	
X	± 1
X.X	± 0.4
X.XX	± 0.20
DRAWN BY	GQ
DATE:	09/09/01
CHECK BY	TD
DATE:	09/09/01
APPR BY	PB
DATE:	09/09/01

RoHS COMPLIANT

REVISIONS	CHANGE	CHK	CHK	APPR
	REV	DATE		

D

C

B

A