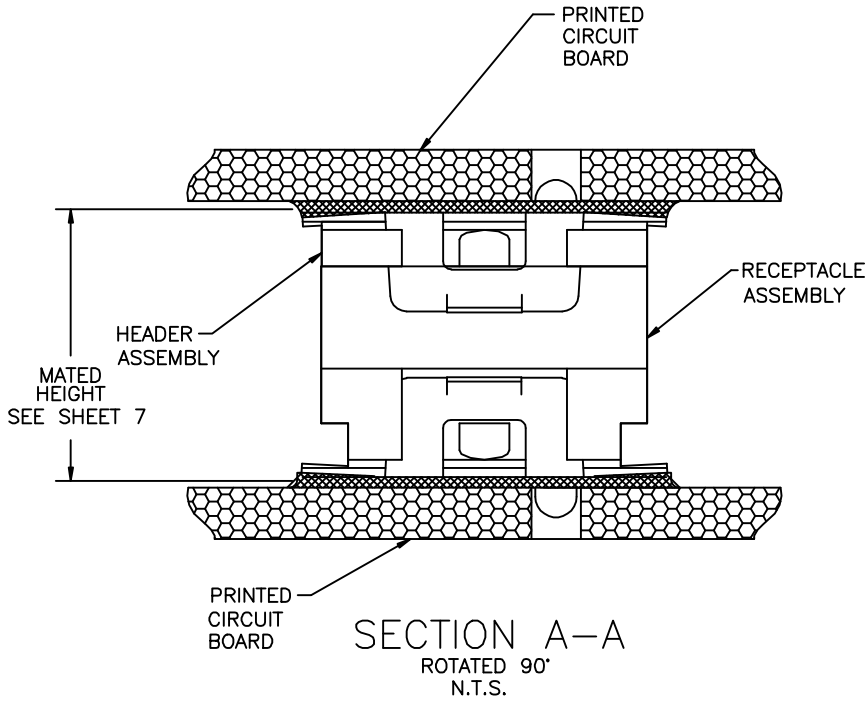
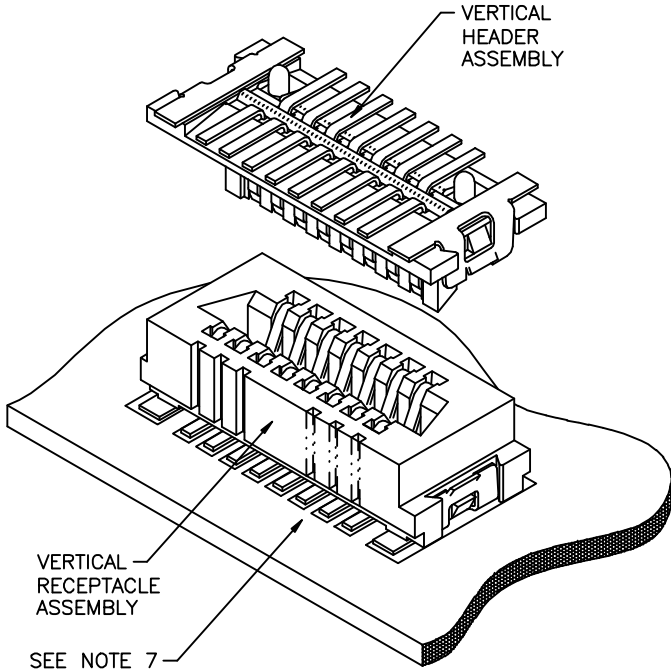


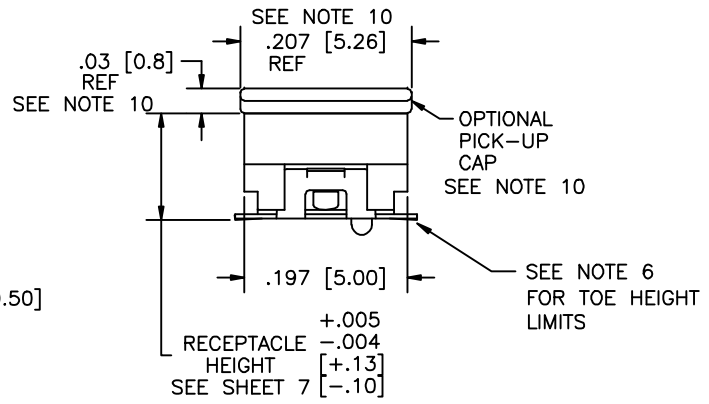
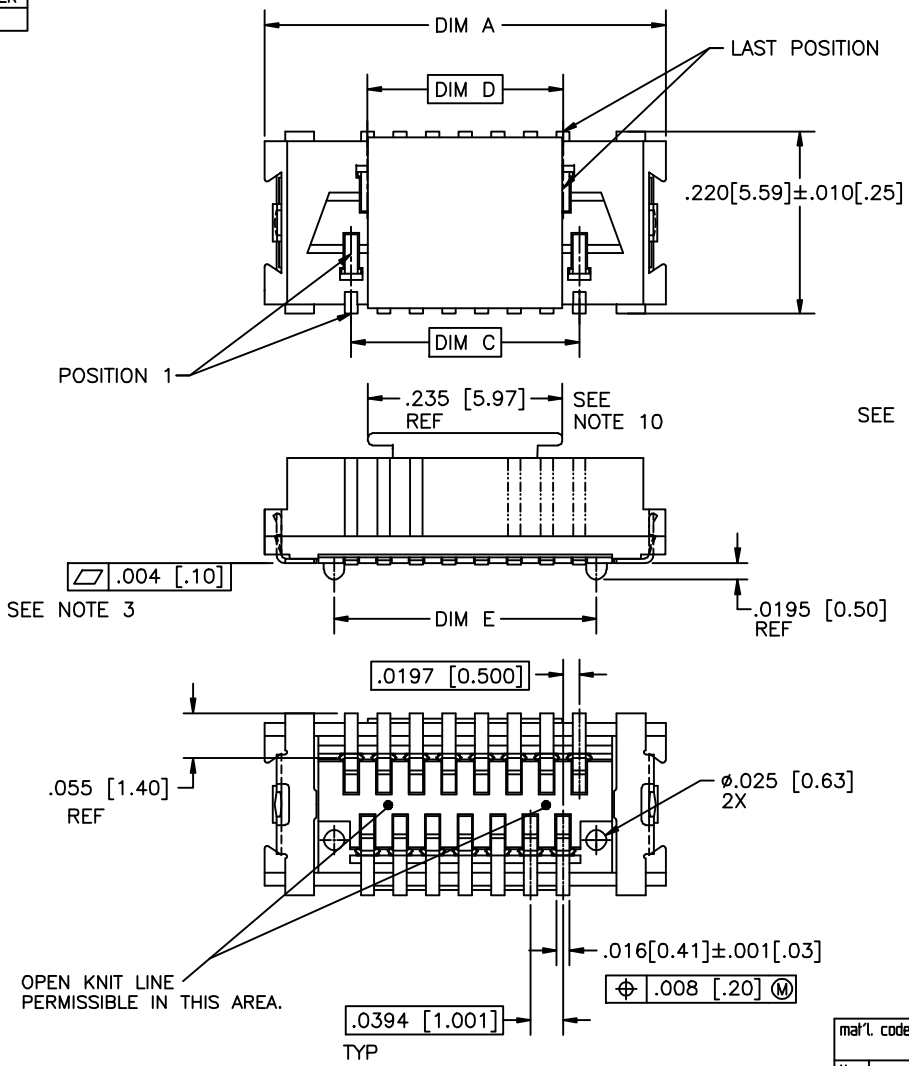
PRODUCT NUMBER
SEE TABLE



Copyright FCI

mat'l. code				surface	tolerance	projection	product family	
				ISO 1902	ISO 406 ISO 1101		CONAN	
ltr	ecn no	dr	date	tolerances unless otherwise specified				title
Y	V03-1347	AA	12/20/01	angles	XXX.01/XXX.03	CONAN™ CONNECTOR ASSEMBLY		
AA	M04-0190	MHT	9/24/04	linear	XXX±.006/XXX±0.13	scale 5:1	dwg no	sheet 1 of 7
AB	M05-0110	MHT	5/26/05	0'±.2'	XXX±.0020/XXX±0.051		91900	A3
AC	M06-0232	AGS	06/12/08	dr	R.SEIPLE	11/13/91	type Product Customer Drawing	
AD	M06-0373	MHT	9/26/06	engr	D.HORCHLER	01/10/92		
AE	M08-0012	AGS	1/11/08	chr	D.HORCHLER	01/10/92		
AF	M08-0287	MHT	10/02/08	appd	D.HORCHLER	01/10/92		
sheet	revision	AF	AF	AF	AF	AF		
index	sheet	1	2	3	4	5	6	7

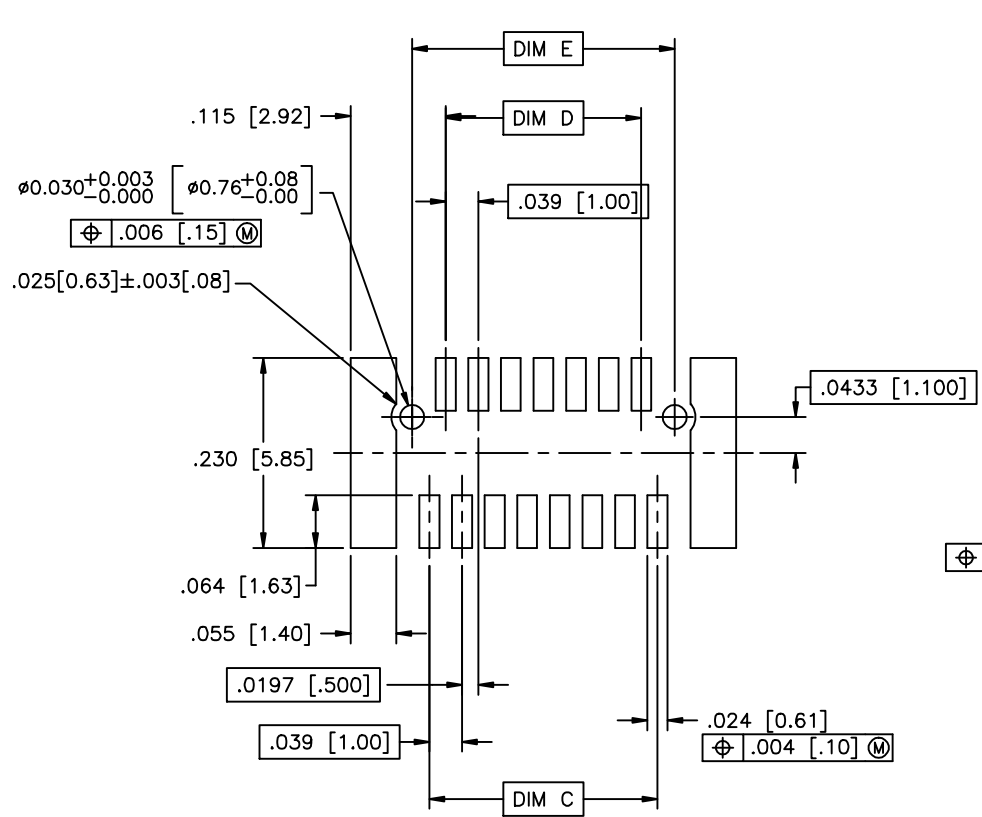
PRODUCT NUMBER
SEE TABLE



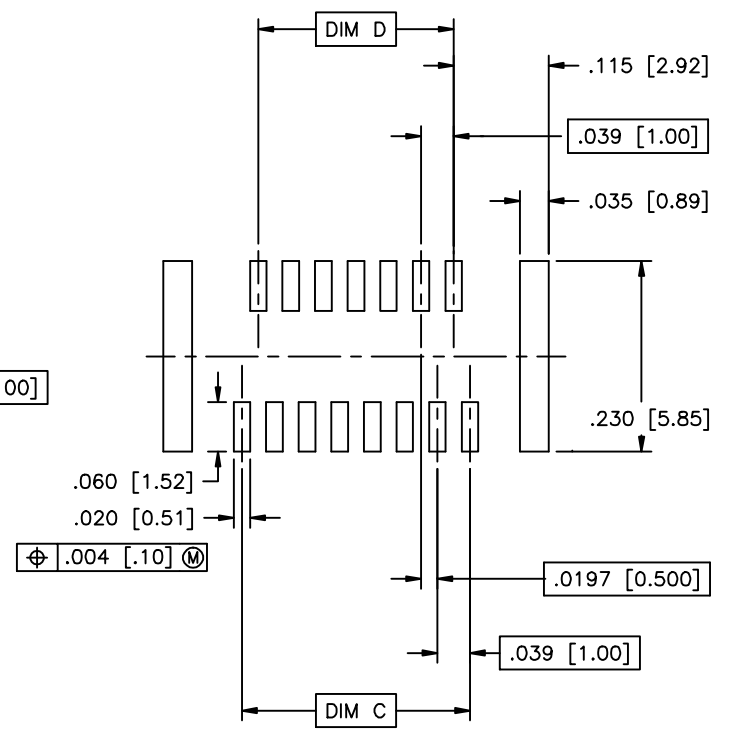
Copyright FCJ

mat'l. code		surface	ISO 1902	tolerance	ISO 406	projection	ISO 1101	product family	CONAN		
ltr	ecn no	dr	date	tolerances unless otherwise specified		INCH/MM	scale 5:1	title	CONAN™ CONNECTOR ASSEMBLY		
AF				angles	XXX.01/XX0.3				linear	XXX±.006/XX±0.13	dwg no
				0°±2'	XXX±.0020/XX±0.051			sheet 2 of 7	size	A3	
				dr	R.SEIPLE	11/13/91	FCJ	type	Product Customer Drawing		
				engr	D.HORCHLER	01/10/92					
				chr	D.HORCHLER	01/10/92					
				appd	D.HORCHLER	01/10/92					
sheet	revision										
index	sheet										

PRODUCT NUMBER
SEE TABLE



RECOMMENDED
PAD LAYOUT



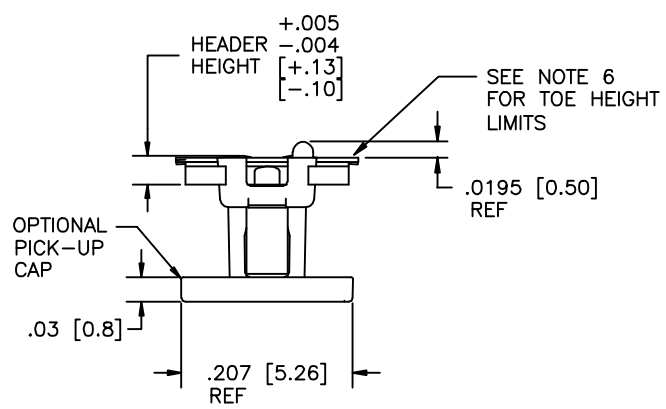
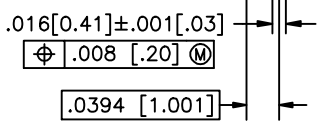
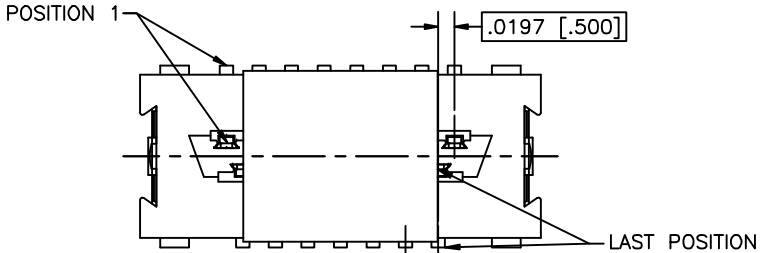
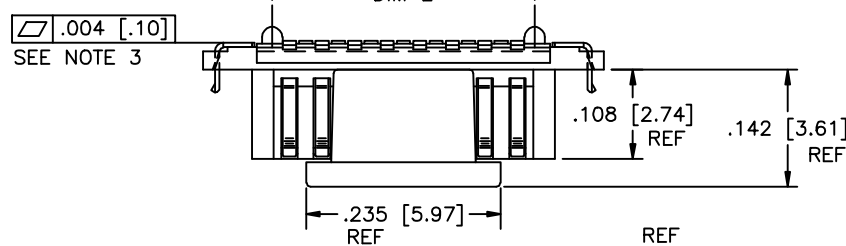
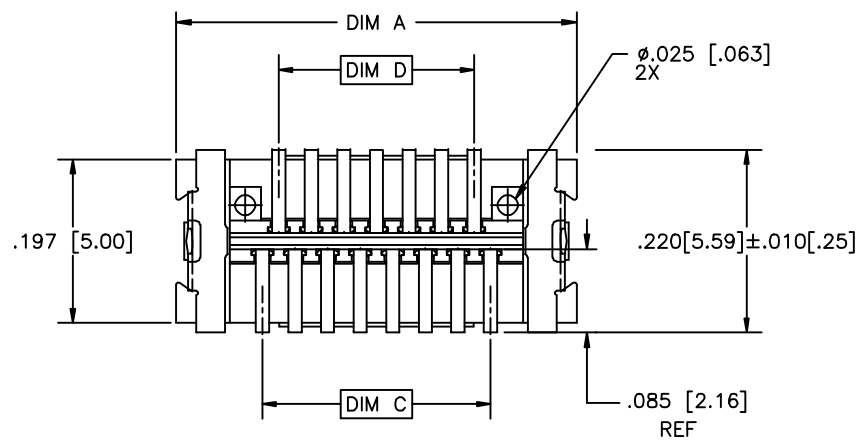
RECOMMENDED
STENCIL LAYOUT
FOR RECEPTACLE



Copyright FCJ

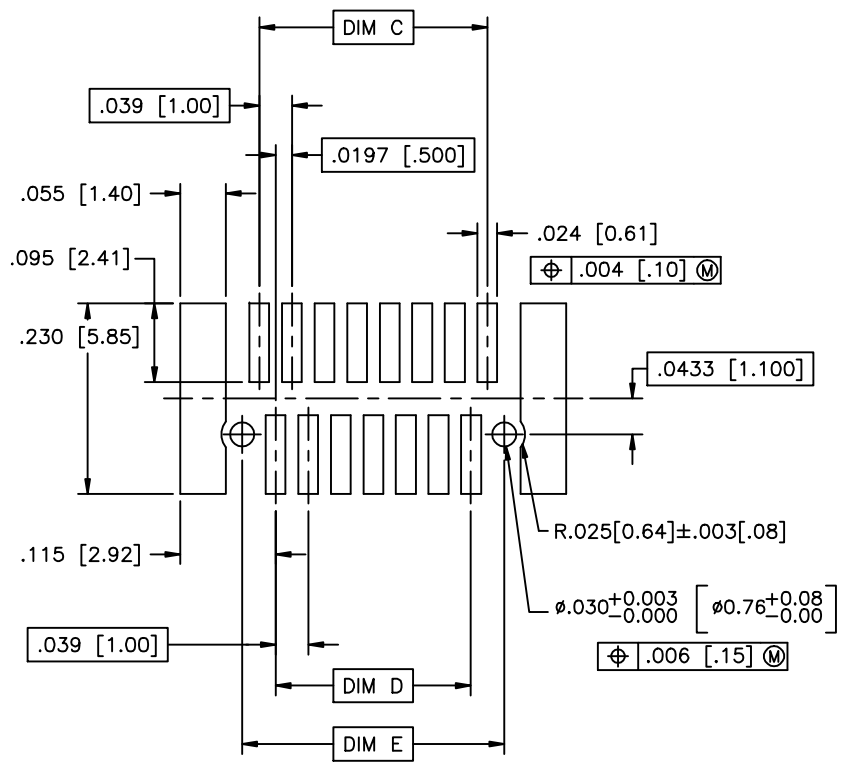
mat'l. code		surface ISO 1902		tolerance ISO 406 ISO 7001		projection 		product family CONAN	
ltr	ecn no	dr	date	tolerances unless otherwise specified				title CONAN™ CONNECTOR ASSEMBLY	
AF				angles	linear	XXX±.01/XXX±.03	INCH/MM		sheet 3 of 7 size
				0°±2'		XXX±.006/XXX±0.13	scale 5:1		A3
						XXX±.0020/XXX±0.051	FCJ		91900
dr	R.SEIPLE	11/13/91		engr	D.HORCHLER	01/10/92	type		Product Customer Drawing
chr	D.HORCHLER	01/10/92		chr	D.HORCHLER	01/10/92			
appd	D.HORCHLER	01/10/92		appd	D.HORCHLER	01/10/92			
sheet index	revision sheet								

PRODUCT NUMBER
SEE TABLE

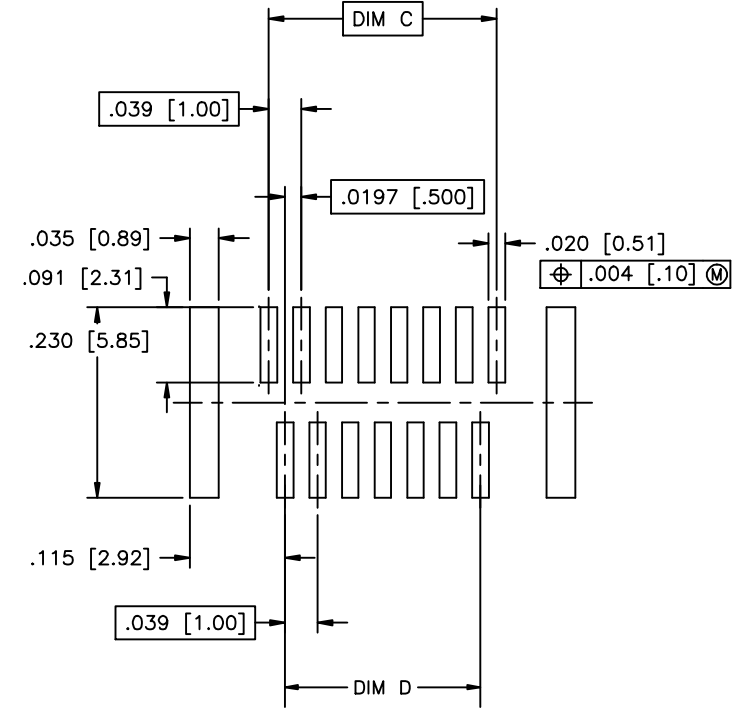


mat'l. code		surface ISO 1902		tolerance ISO 406 ISO 7001		projection INCH/MM		product family CONAN	
ltr	ecp no	dr	date	tolerances unless otherwise specified				title CONAN™ CONNECTOR ASSEMBLY	
AF				angles	linear	X.X ± .01 / X.X ± 0.3 X.XX ± .006 / X.XX ± 0.13 X.XXX ± .0020 / X.XX ± 0.051		scale 5:1	
				0° ± 2'				dwg no 91900	
				dr	R. SEIPLE	11/13/91	sheet 4 of 7		size A3
				engr	D. HORCHLER	01/10/92	FCJ		
				chr	D. HORCHLER	01/10/92	type		Product Customer Drawing
				appd	D. HORCHLER	01/10/92			
sheet index	revision sheet								

PRODUCT NUMBER
SEE TABLE



RECOMMENDED
PAD LAYOUT



RECOMMENDED
STENCIL LAYOUT
FOR HEADER



Copyright FCJ

mat'l. code		surface ISO 1902		tolerance ISO 406 ISO 7001		projection FIRST ANGLE		product family CONAN		
ltr	ecn no	dr	date	tolerances unless otherwise specified						
AF				angles	linear	XXX±.01/XXX±.03	INCH/MM	title CONAN™ CONNECTOR ASSEMBLY		
				0'±2'		XXX±.006/XXX±.013		dwg no 91900		
						XXX±.0020/XXX±.0051	scale 5:1	sheet 5 of 7 size A3		
				dr	R.SEIPLE	11/13/91			type Product Customer Drawing	
				engr	D.HORCHLER	01/10/92				
				chr	D.HORCHLER	01/10/92				
				appd	D.HORCHLER	01/10/92				
sheet index	revision sheet									

PRODUCT NUMBER	POS	DIM "A"	DIM "C"	DIM "D"	DIM "E"
919TC-WXY09	9	.366 [9.30]	.157 [4.00]	.118 [3.00]	.1990 [5.055]
-WXY09LF					
-WXY11	11	.406 [10.30]	.197 [5.00]	.157 [4.00]	.2380 [6.045]
-WXY11LF					
-WXY15	15	.484 [12.30]	.276 [7.00]	.236 [6.00]	.3170 [8.052]
-WXY15LF					
-WXY21	21	.602 [15.30]	.394 [10.00]	.354 [9.00]	.4350 [11.049]
-WXY21LF					
-WXY25	25	.681 [17.30]	.472 [12.00]	.433 [11.00]	.5140 [13.056]
-WXY25LF					
-WXY31	31	.800 [20.30]	.591 [15.00]	.551 [14.00]	.6320 [16.053]
-WXY31LF					
-WXY41	41	.996 [25.30]	.787 [20.00]	.748 [19.00]	.8290 [21.057]
-WXY41LF					
-WXY51	51	1.193 [30.30]	.984 [25.00]	.945 [24.00]	1.0260 [26.060]
-WXY51LF					
-WXY69	69	1.547 [39.30]	1.339 [34.00]	1.299 [33.00]	1.3800 [35.052]
-WXY69LF					

NOTES:

1. MATERIALS:

RECEPTACLE HOUSING - LCP, UL-94V-0. COLOR: NATURAL.

RECEPTACLE TERMINALS - COPPER ALLOY, PLATED WITH 15u"/.38u GXT™ IN CONTACT AREA AND 100u"/2.54u Sn ON SOLDER LEGS WITH AN OVERALL 50u"/1.27u Ni UNDERPLATE.

HEADER HOUSING - LCP, UL-94V-0. COLOR: NATURAL.

HEADER TERMINALS - COPPER ALLOY, PLATED WITH 15u"/.38u GXT™ IN CONTACT AREA AND 100u"/2.54u Sn ON SOLDER LEGS WITH AN OVERALL 50u"/1.27u Ni UNDERPLATE.

RETENTION DEVICE - BRASS, PLATED WITH 100u"/2.54u Sn OVER NICKEL.

2. REFERENCE GS-12-006 FOR PRODUCT PERFORMANCE DATA.

③ SEE TA-774 FOR FURTHER DESCRIPTION OF HOW THIS DIMENSION IS APPLIED.

④ PICK AND PLACE CAP OR TAPE IS ONLY AVAILABLE WITH OPTION 3 PACKAGING. (PSA ADHESIVE SEALED). ALSO, PSA PACKAGING REQUIRES A PICK AND PLACE CAP.

5. RECOMMENDED SOLDER PASTE THICKNESS IS .006 TO .008 INCHES THICK.

⑥ THE TOE HEIGHT OF THE SOLDER TAIL SHALL BE MEASURED FROM THE LOWEST POINT OF THE .004 CO-PLANARITY GRAVITY PLANE. THIS MEASUREMENT IS NOT TO EXCEED A WINDOW OF .000 TO .007 INCHES.

⑦ THREE SLOTS MAY BE LOCATED AT EITHER END OF HOUSING.

⑧ 5.50mm MATED HEIGHT IS ONLY AVAILABLE IN 9, 15 AND 31 POS.

⑨ 7.50mm MATED HEIGHT IS ONLY AVAILABLE IN 9 POS.

⑩ APPLIES TO 91921-3XYZZ AND 91931- 3XYZZ OPTIONS ONLY.

11. THE HOUSING WILL WITHSTAND EXPOSURE TO 260°C PEAK TEMPERATURE FOR 30 SECONDS IN A CONVECTION INFRA RED OR VAPOR PHASE REFLOW OVEN. SEE APPLICATION/PROCEDURES IF THEY ARE AVAILABLE

⑫ PRODUCT WITH "LF" AT THE END MEETS EUROPEAN UNION DIRECTIVES AND OTHER COUNTRY REGULATION AS DESCRIBED IN GS-22-008.



FCIconnect.com

Copyright FCI

mat'l. code		surface	tolerance	projection	product family
		ISO 1902	ISO 406		CONAN
			ISO 1101		
ltr	ec'n no	dr	date	title	
AF				CONAN™ CONNECTOR ASSEMBLY	
tolerances unless otherwise specified				INCH/MM	scale 5:1
angles		linear	XXX.X/XXX.3		
			XXX.X/XXX.13		
0°±2'			XXX.X/XXX.05		
dr	R.SEIPLE	11/13/91			
engr	D.HORCHLER	01/10/92			
chr	D.HORCHLER	01/10/92			
appd	D.HORCHLER	01/10/92			
sheet	revision			FCI	dwg no 91900 sheet 6 of 7 size A3
index	sheet			type	Product Customer Drawing

PRODUCT NUMBER
SEE TABLE

CONAN ASSEMBLY PART NUMBER

919 T C - W X Y ZZ LF

LEAD FREE OPTION
SEE NOTE 12

TYPE	T
HEADER WITH NO PEGS	0
HEADER WITH PEGS	1
RECEPTACLE WITH NO PEGS	2
RECEPTACLE WITH PEGS	3

PICK AND PLACE CAP OR TAPE (NOTE 4)	C
WITHOUT CAP OR TAPE	0
WITH CAP	1
WITH TAPE (RECEPTACLE ONLY)	2

PACKAGING	W
TUBE	2
PRESSURE SEALED TAPE & REEL	3

NOTE 4

Y	HEADER HEIGHT	RECEPTACLE HEIGHT	MATED HEIGHT + .010 - .008 [+ .25] [- .20]
1	.034 [.86]	.129 [3.28]	.163 [4.15]
2	.048 [1.23]	SEE Y=1 FOR ALL RECEPTACLES	.177 [4.50]
3	.068 [1.73]		.197 [5.00]
4	.107 [2.72]		.236 [6.00]
5	.1465 [3.721]		.276 [7.00]
* 6	.088 [2.23]		.216 [5.50]
** 7	.1665 [4.229]		.296 [7.52]

* NOTE 8
** NOTE 9

X	PLATING
1	15u"/.38u GXT™
2	30u"/.76u GXT™

ZZ	NUMBER OF POSITIONS
09	9
11	11
15	15
21	21
25	25
31	31
41	41
51	51
69	69

EXAMPLE: 91921-31125LF
IS A CONAN RECEPTACLE ASSEMBLY,
HAVING NO PEGS AND WITH A PICK AND PLACE CAP.
IT ALSO HAS GXT™ PLATING, IS .13 [3.2] HIGH AND 25
POSITIONS AND IS PACKAGED IN PRESSURE SEALED TAPE,
REEL AND LEAD FREE.

mat'l. code		surface ISO 902	tolerance ISO 406 ISO 1101	projection 	product family CONAN
ltr	ecn no	dr	date	title CONAN™ CONNECTOR ASSEMBLY	
AF				INCH/MM 	scale 5:1
angles		linear	XXX.X/XXX.3 XXX.X/XXX.13 XXX.X/XXX.05	dwg no 91900	
0'±2'		dr	R.SEIPLE 11/13/91	sheet 7 of 7 size A3	
		engr	D.HORCHLER 01/10/92	type Product Customer Drawing	
		chr	D.HORCHLER 01/10/92		
		appd	D.HORCHLER 01/10/92		
sheet	revision				
index	sheet				