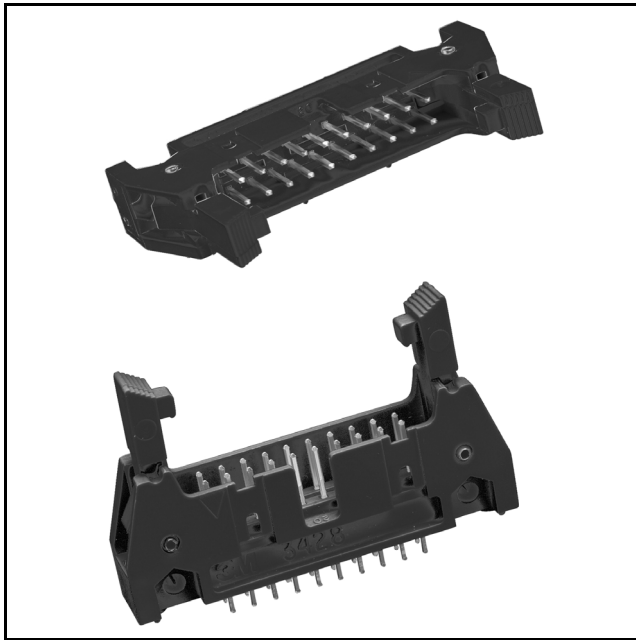


# 3M™ Pak 100 4-Wall Header

.100" × .100" Latch/Ejector, Straight and Right Angle

3000 Series



- Military (with 3M's 3518 polarizing key) and centerbump polarization
- Standard ejector latches
- Mounting holes for securing header to board
- RoHS\* compliant
- Optional polarizing posts
- High temperature insulator suitable for “no lead” soldering operations
- Suitable for reflow soldering using “paste in hole” techniques

Date Modified: January 7, 2005

TS-0772-04  
Sheet 1 of 4

## Physical

### Insulator

Material: Glass Filled Polyester (PCT)  
Flammability: UL 94V-0  
Color: Black

### Contact

Material: Copper Alloy

### Plating

Underplating: 100 μ" [ 2.54 μm ] Nickel - Overall  
Wiping Area: 30 μ" [ 0.76 μm ] Gold  
Solder Tails: 200 μ" [ 5.08 μm ] Matte Tin  
Terminal Finish Indicator: e3 (per JESD97)

Marking: 3M Logo, Part Identification Number and Orientation Triangle

## Electrical

Current Rating: 1 A  
Insulation Resistance:  $>1 \times 10^9 \Omega$  at 500 Vdc  
Withstanding Voltage: 1000 Vrms at Sea Level

## Environmental

Temperature Rating: -55°C to +105°C  
Process Rating: Maximum 260°C, single pass, (profile per J-STD-020C)  
Moisture Sensitivity Level: 1 (per J-STD-020C)

UL File No.: E68080

\*RoHS = Directive 2002/95/EC,  
Restriction on the Use of Certain Hazardous Substances in Electrical and Electronic Equipment.

# 3M™ Pak 100 4-Wall Header

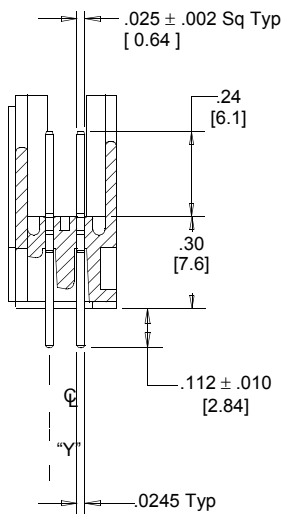
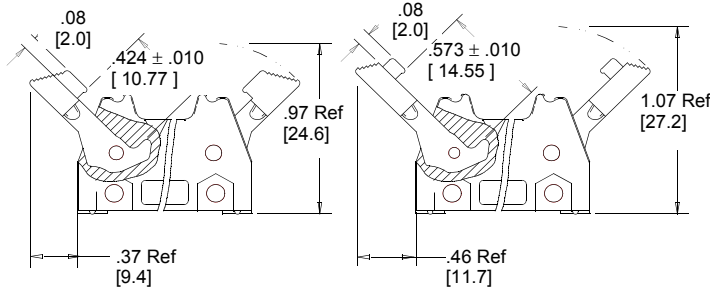
.100" × .100" Latch/Ejector, Straight and Right Angle

3000 Series

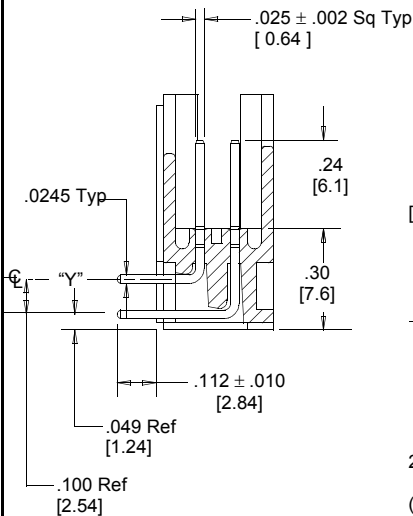
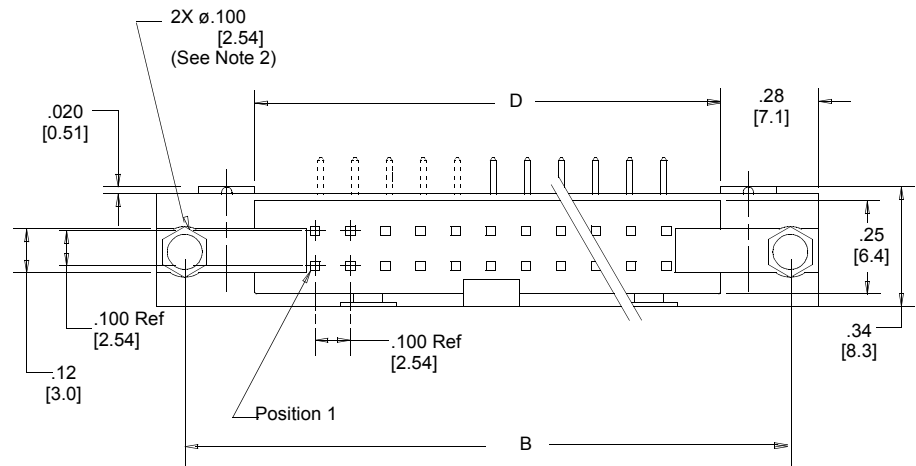


-X202  
Header with  
Short Ejector/Latch  
for 3M Sockets without  
Strain Relief

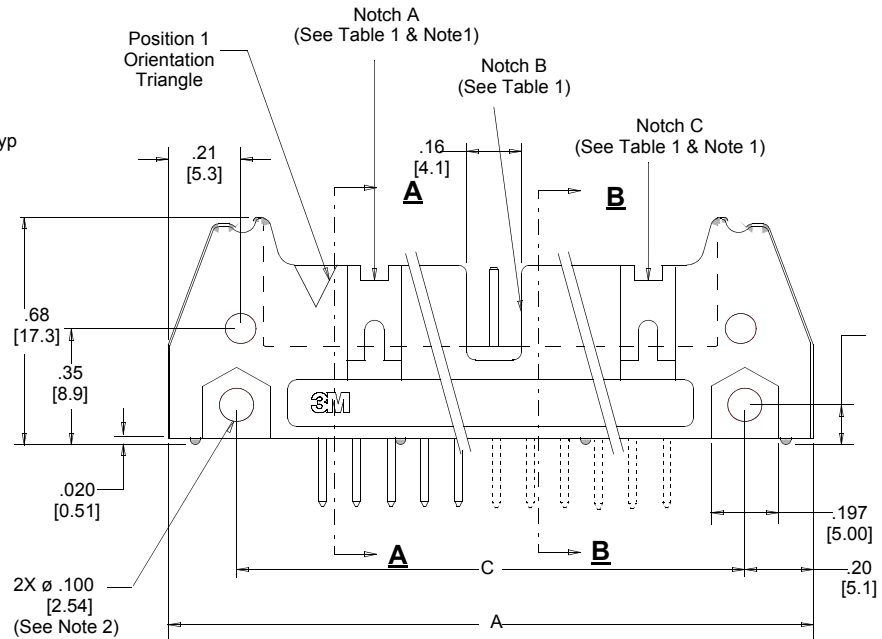
-X302  
Header with  
Long Ejector/Latch  
for 3M Sockets with  
Strain Relief



**Section A-A**  
(Straight)



**Section B-B**  
(Right Angle)



TS-0772-04  
Sheet 2 of 4

# 3M™ Pak 100 4-Wall Header

.100" × .100" Latch/Ejector, Straight and Right Angle

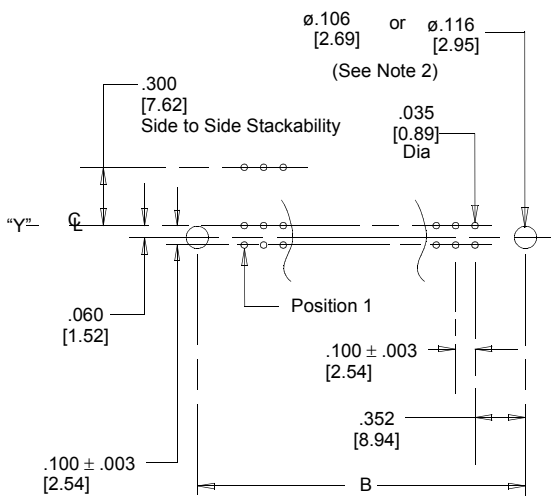
3000 Series

Table 1

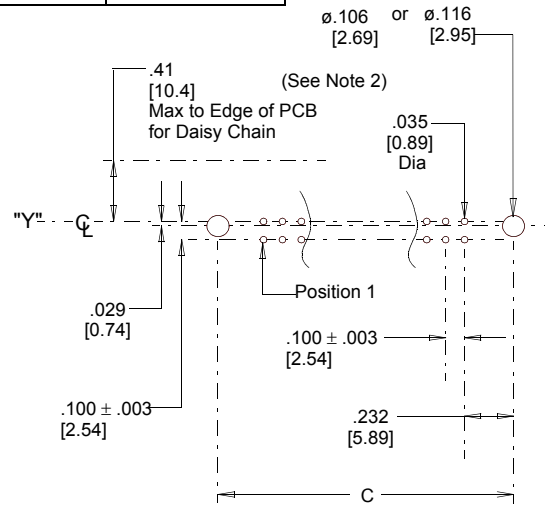
Pin Quantity	3M Part Number	Dimensions				Polarization Notches Provided
		A	B	C	D	
10	3793	1.26 [32.1]	1.105 [28.07]	.865 [21.97]	.71 [18.0]	B C
14	3314	1.46 [37.2]	1.305 [33.15]	1.065 [27.05]	.91 [23.1]	B C
16	3408	1.56 [39.7]	1.405 [35.69]	1.165 [29.59]	1.01 [25.6]	A B C
20	3428	1.76 [44.8]	1.605 [40.77]	1.365 [34.67]	1.21 [30.7]	A B C
24	3627	1.96 [49.8]	1.805 [45.85]	1.565 [39.75]	1.41 [35.8]	A B C
26	3429	2.06 [52.4]	1.905 [48.39]	1.665 [42.29]	1.51 [38.3]	A B C
30	3440	2.26 [57.4]	2.105 [53.47]	1.865 [47.37]	1.71 [43.43]	A B C
34	3431	2.46 [62.6]	2.305 [58.55]	2.065 [52.45]	1.91 [48.5]	A B C
40	3432	2.76 [70.2]	2.605 [66.17]	2.365 [60.07]	2.21 [56.1]	A B C
50	3433	3.26 [82.9]	3.105 [78.87]	2.865 [72.77]	2.71 [68.8]	A B C
60	3372	3.76 [95.6]	3.605 [91.57]	3.365 [85.47]	3.21 [81.5]	A B C
64	3764	3.96 [100.7]	3.805 [96.65]	3.565 [90.55]	3.41 [86.6]	A B C

Tolerance Unless Noted			
	Inch [mm]		
	.0	.00	.000
Inch	±.1	±.01	±.005

[ ] Dimensions for Reference only



Recommended Mounting Hole Pattern (Straight)



Recommended Mounting Hole Pattern (Right Angle)

Notes:

1. Notches A & C will accommodate 3M Polarizing Keys (3M Part #N3518).
2. Mounting hardware: From solder side of pc board use #4-24 thread cutting screw (3M Part # 3341-5) and .116 [2.95] dia mounting hole. For right angle version only, #2-56 bolt and nut (3M Part # 3341-6) with .106 [2.69] dia mounting hole may be used.
3. .112 [2.84] tail length suitable for .062 [1.57] thick pc board.
4. Contact tails .0245 [0.622] crowned wire with .0075 [0.191] corner radii & .028 [0.72] diagonal.
5. Contact your 3M sales representative for custom requirements.

## Ordering Information

**NXXXX-XX02RB**

3M Part Number  
(See Table 1)

Pin Configuration  
5 = Right Angle  
6 = Straight

Latch/Ejector System  
2 = Short Roll Pin Latch/Ejectors  
(3M Part # N3505-2)  
3 = Long Roll Pin Latch/Ejectors  
(3M Part # N3505-3)

TS-0772-04  
Sheet 3 of 4

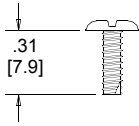
# 3M™ Pak 100 4-Wall Header

.100" × .100" Latch/Ejector, Straight and Right Angle, Accessories

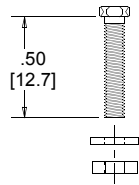
3000 Series

## Mounting Hardware

**3341-5**  
(Installed from bottom of board)



**3341-6**  
(Right angle product only)

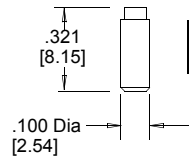


Panhead Thread Cutting Screw:  
#4-24 X 5/16"  
Type: USA Std BT, Federal BG

Hex Head Bolt, Nut and Washer  
Bolt - #2-56 X 1/2"

**3341-5 & 6**  
Material - Stainless Steel

## Polarizing Post

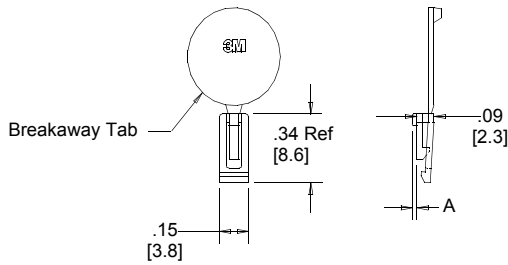


Part Number	Material	Color
3201-4	LCP	Black

Note: Insert Post into one mounting hardware hole on bottom of header. Set post to protrude .115".

## Polarizing Keys

Part Number	Material	Color	Dim A
N3518	Nylon	Black	0.02



Note: #2216 B/A Scotchweld can be used to adhere keys.

TS-0772-04  
Sheet 4 of 4

## Important Notice

All statements, technical information, and recommendations related to 3M's products are based on information believed to be reliable, but the accuracy or completeness is not guaranteed. Before using this product, you must evaluate it and determine if it is suitable for your intended application. You assume all risks and liability associated with such use. Any statements related to the product which are not contained in 3M's current publications, or any contrary statements contained on your purchase order shall have no force or effect unless expressly agreed upon, in writing, by an authorized officer of 3M.

## Warranty; Limited Remedy; Limited Liability.

This product will be free from defects in material and manufacture for a period of 90 days from the time of purchase. **3M MAKES NO OTHER WARRANTIES INCLUDING, BUT NOT LIMITED TO, ANY IMPLIED WARRANTY OF MERCHANTABILITY OR FITNESS FOR A PARTICULAR PURPOSE.** If this product is defective within the warranty period stated above, your exclusive remedy shall be, at 3M's option, to replace or repair the 3M product or refund the purchase price of the 3M product. **Except where prohibited by law, 3M will not be liable for any indirect, special, incidental or consequential loss or damage arising from this 3M product, regardless of the legal theory asserted.**

# 3M

## Electronic Solutions Division

6801 River Place Blvd.  
Austin, TX 78726-9000  
[www.3M.com/esd](http://www.3M.com/esd)



Minimum 10%  
Post-consumer Fiber

Printed in USA.

© 3M 2005