

RJ45 10/100/1000 Gigabit with Surge Protection



N5430



- RoHS Compliant Product
- Inductance: 350 μ H Min @ 100KHz, 0.1V_{RMS} with 8mA DC
- Hipot: 1500V_{RMS}
- Operating Temp : -40°C to 70°C
- Custom design available

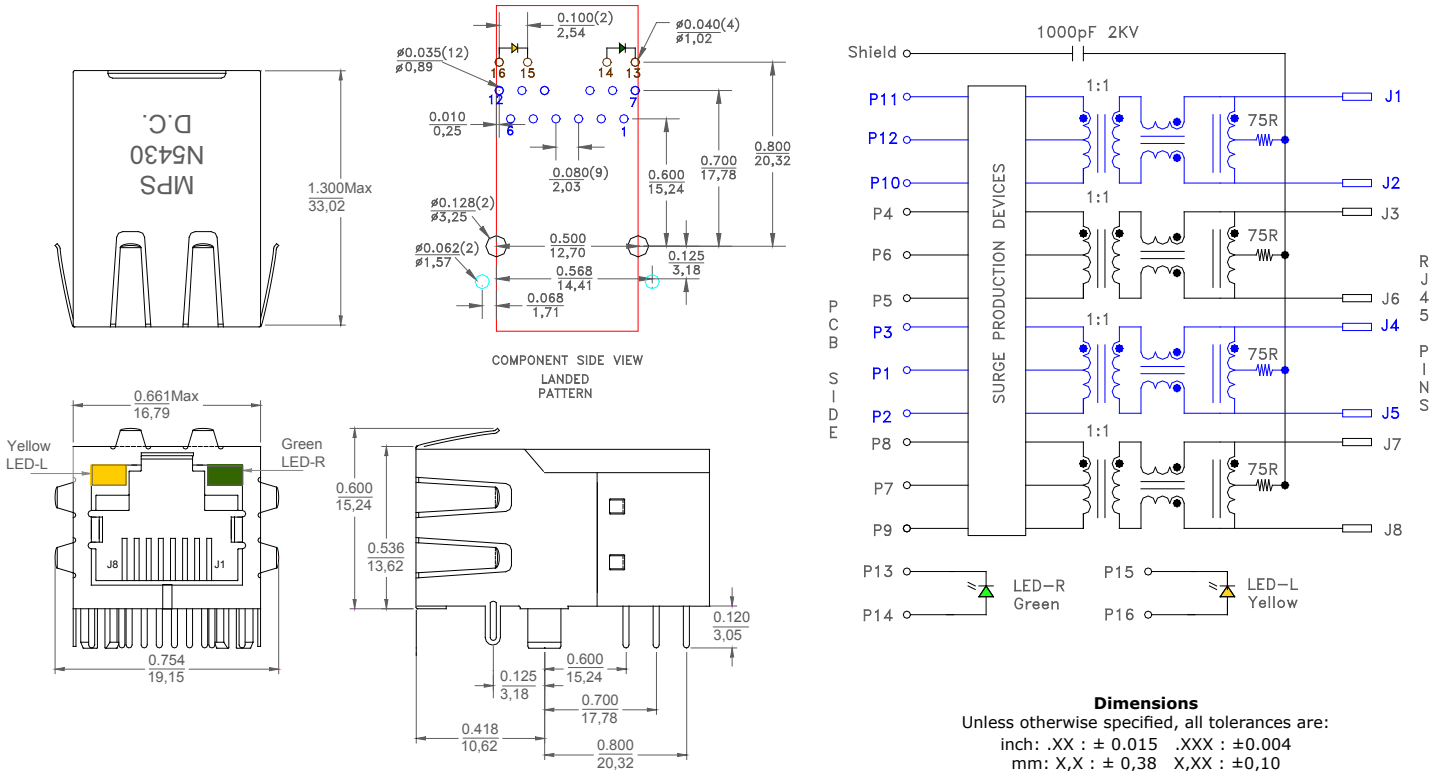
ELECTRICAL SPECIFICATION @ 25°C

PART NO	TURNS RATIO $\pm 2\%$ Pri:Sec	INSERTION LOSS 0.1MHz-125MHz (dB) Max	RETURN LOSS (dB) Typ MHz				CROSS TALK (dB) Typ MHz			CMR (dB) Typ MHz
			1-10	30-60	60-80	80-100	1-10	30-60	60-100	
			1-10	30-60	60-100	1-100				
N5430	1:1	-1.1	-19	-13	-12	-10	-45	-32	-27	-35

Mechanical

Schematic

RECOMMENDED PCB LAND PATTERN



Dimensions
Unless otherwise specified, all tolerances are:
inch: .XX : ± 0.015 .XXX : ± 0.004
mm: X,X : $\pm 0,38$ X,XX : $\pm 0,10$

Product performance is limited to specified parameter. Data is subject to change without prior notice.

N5430
07091W

13200 Estrella Ave., Bldg. B
Gardena, CA 90248

Tel: (310) 325-1043
Fax: (310) 325-1044

www.mpsind.com
sales@mpsind.com