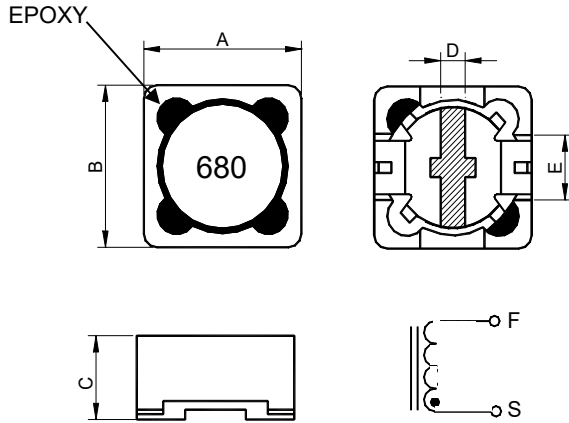


## SPECIFICATION FOR APPROVAL

CUSTOMER		CUST P/N.	
ITEM	SMD Power Inductors	Description	CDRH127N-680M
PART NO.	306-97002	DATE	2015.10.14

**(1) DIMENSION(UNIT:mm)**



<b>A</b>	12.5(Max)	mm
<b>B</b>	12.5(Max)	mm
<b>C</b>	8.0 (Max)	mm
<b>D</b>	5.0(REF)	mm
<b>E</b>	1.7 ± 0.5	mm
<b>F</b>		mm
<b>G</b>		mm
<b>H</b>		mm

**(2) ELECTRICAL REQUIREMENTS**

TEST CONDITION		FREQUENCY		(3) TEST INSTRUMENTS	
		VOLTAGE		LCR-METER:	
<b>L</b>	68.0μH±20%	100KHz	1V	V	HP-4291A TH2816B
<b>DCR</b>	140.0mΩ (Max)	KHz	V	V	DC RESISTANCE METER: WK3260B
<b>Isat</b>	2.1A (Max) at L drop 25%(TYP)	100KHz	1V	V	CURRENT SOURCE: TH2816B+1320
<b>Irms</b>	2.1A (Max) at ΔT=40°C (TYP)	100KHz	1V	V	RFIMPEDANCE/MATERIAL ANALYZER TH2816B+1320
		MHz	V		GW PUNCTURE INSULATION TESTER HP-4291A

**(4) TURN: 32TS(REF)**

**(5) MATERIAL LIST**

ITEM	MATERIAL	DESCRIPTION
1	CORE	F4D DR10×7
2	COAT	F4D SI 12.3×10.85×6.8
3	WIRE	Ø0.40mm(2UEW-H)
4	TERMIANL	C-1200-1D P1 (鍍錫)
5	INK	WHITE

REMARK:	APPROVED	CHECKED	DRAWN BY
	<i>Simon</i>	辛海峰	張小萍