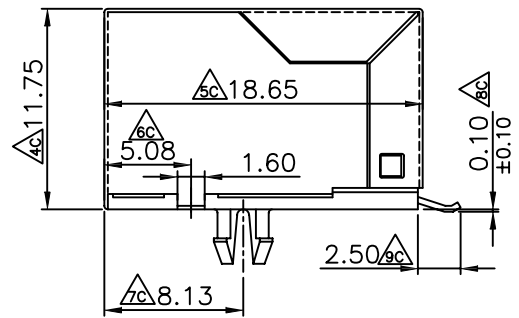
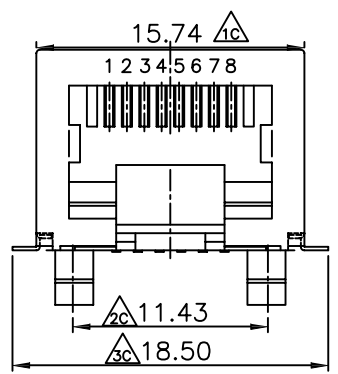


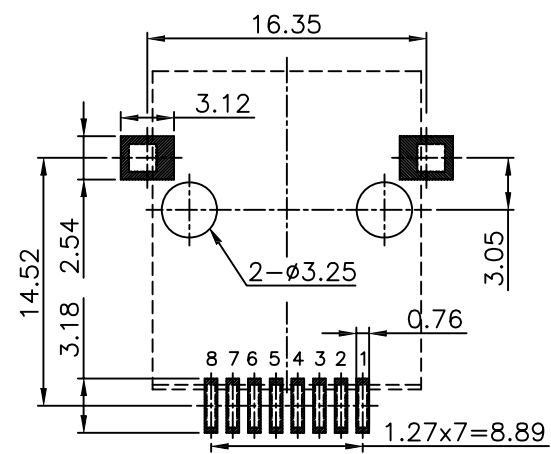
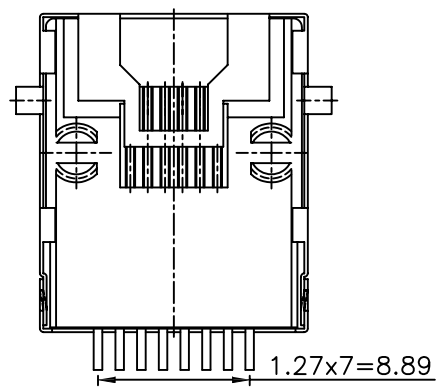
4	3	2	1
CATEGORY	DESCRIPTION	P/N #	
CONNECTOR	Modular Jack, 8P8C, 1x1PORT SMT TYPE	MJ88-BX11-JRS3	

REV.	ECN NO	DESCRIPTION	REVISED	DATE
A01		New Release	Kelly	2010.03.21



**SPECIFICATION**

- CURRENT RATING: 1.5AMPS
- VOLTAGE RATING: 125V AC
- INSULATION RESISTANCE: 500MΩ MIN.
- WITHSTAND VOLTAGE: AC1000V RMS 50Hz or 60Hz MIN.
- CONTACT RESISTANCE: 30mΩ MAX.
- DURABILITY: 750 MATING CYCLES
- OPERATING TEMPERATURE: -25°C~+70°C



Part No.: MJ88-BX11-JRS3  
Material & Plating

Table 1

X	Terminal Plating
0	Au 1u" Plating
1	Au 3u" Plating
2	Au 6u" Plating
3	Au 15u" Plating
4	Au 30u" Plating
5	Au 50u" Plating

**MATERIALS:**  
 PLASTIC HOUSING: ENGINEERING THERMOPLASTIC  
 FLAMMABILITY RATING UL 94V-0.  
 CONTACTS: PHOSPHOR BRONZE  
 PLATING: GOLD PLATING OVER NICKEL IN CONTACT.  
 TIN PLATING OVER NICKEL IN SOLDER AREA.

PCB LAYOUT/TOP VIEW

**Product Drawing**  
**Dongguan Heling Electronic Co.,LTD**

UNLESS OTHERWISE SPECIFIED TOLERANCES	SCALE:1/1 UNIT: mm	⊕ ⊖ DWG.NO:
DECIMALS: X :±0.5 X.X :±0.3 X.XX :±0.2	SIZE: A3 PAGE:1 OF 1	REV:A01 WI-061-751
ANGLES: X :±2° X.X :±1'	APPROVED BY	CHECKED BY
	Tony	Bill
		PREPARED BY Kelly
<b>CUSTOMER COPY</b>		