

PLEASE CHECK WWW.MOLEX.COM FOR LATEST PART INFORMATION

Part Number: [130128-0100](#)
Status: **Active**
Overview: [Push-Button Pendant Products](#)
Description: Super-Safeway™ Switch Replacement, Single Speed Momentary

Documents:

[RoHS Certificate of Compliance \(PDF\)](#)

[Product Literature \(PDF\)](#)

General

Product Family	Push Buttons / Testers
Series	130128
Accessory / Replacement Type	One Speed-Momentary Switch
Enclosure Rating	N/A
Overview	Push-Button Pendant Products
Product Literature Order No	987650-8071
Product Name	Super-Safeway™
Type	Replacement Part
UPC	78678875414
Woodhead	Yes

Physical

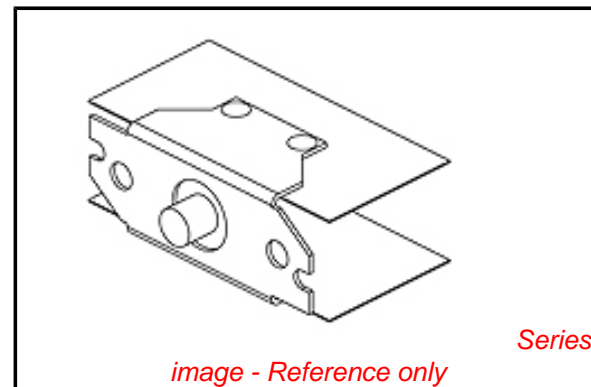
Cord Diameter	N/A
Cord Grip Body Size	N/A
Emergency Stop	No
Material - Body	N/A
Number of Speeds	Single
Packaging Type	Carton

Electrical

Voltage - Maximum	250V
-------------------	------

Material Info

Old Part Number	4020
-----------------	------



EU RoHS

**ELV and RoHS
Compliant**

REACH SVHC

Not Reviewed

Low-Halogen Status

Not Reviewed

China RoHS



**Need more information on product
environmental compliance?**

Email productcompliance@molex.com
 For a multiple part number RoHS Certificate of
 Compliance, [click here](#)

Please visit the [Contact Us](#) section for any
 non-product compliance questions.

Search Parts in this Series

130128Series