

FC SERIES REPEATER

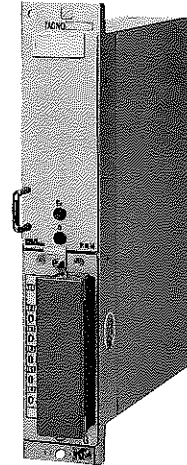
DATA SHEET

PRH

The FC series repeater is used as an impedance converter (Code 3 or 7) when the desired load cannot be connected (Code 1) because the wiring distance is too long or when the composite load resistance cannot be neglected as compared with the signal conversion resistance (250Ω).

SPECIFICATIONS

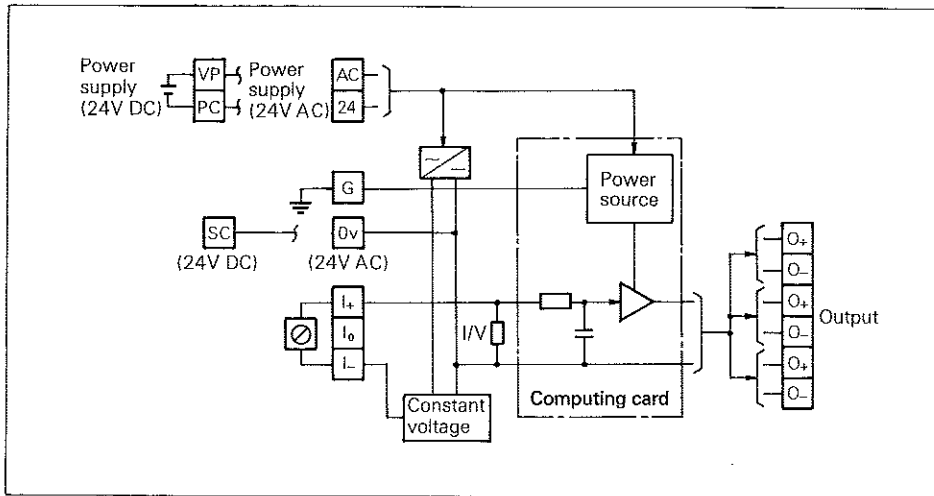
- Input signal and input resistance:**
 4 to 20mA DC (50Ω)
 1 to 5V DC (1MΩ)
 Note: More than 33kΩ when power is OFF.
- Accuracy:** ±0.5% of full span
 ±0.25% of full span is possible on request
- Reproducibility:** ±0.1%
- Output signal:** 1 to 5V DC
- Output resistance:** Less than 0.5Ω
- Response time:** Less than 0.1 sec (with input filter)
- Power supply:** 24V DC (20 to 30V DC) or
 24V $\pm 13\%$ AC, 50/60Hz
- Transmitter power supply:**
 25.8V DC
- Power consumption:**
 Approx. 1W (24V DC)
 Approx. 4VA (24V AC, built-in transmitter power supply)
- Ambient temperature:**
 0 to 45°C
- Ambient humidity:**
 Less than 90%RH
- Enclosure:** Steel case
- Dimensions (H × W × D):**
 247 × 44 × 225mm
- Weight:** Approx. 0.9kg (repeater only)
 Approx. 1.4kg (with transmitter power supply)
- Finish color:** Case; Silver (melamine baking)
 Terminal cover; Gray (molded synthetic resin)
- Mounting method:** Rack mounting
- Range of delivery:** Repeater



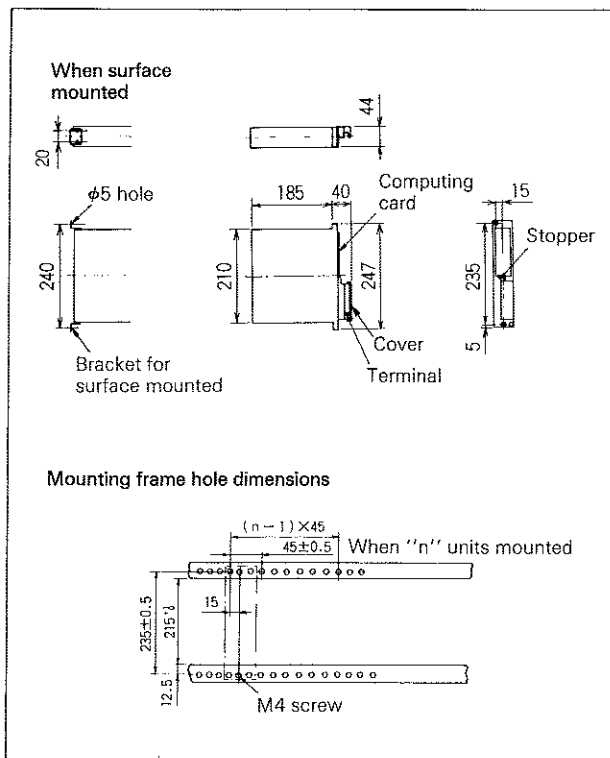
CODE SYMBOLS

PRH	0005	000	Description
1			Configuration General use (4 to 20mA input, with transmitter power supply) Power supply: 24V DC only
3			General use (4 to 20mA input, without transmitter power supply)
7			General use (1 to 5V input)
		1	Accuracy ±0.5%
		2	±0.25%
		1	Power supply 24V DC
		7	24V AC 50/60Hz

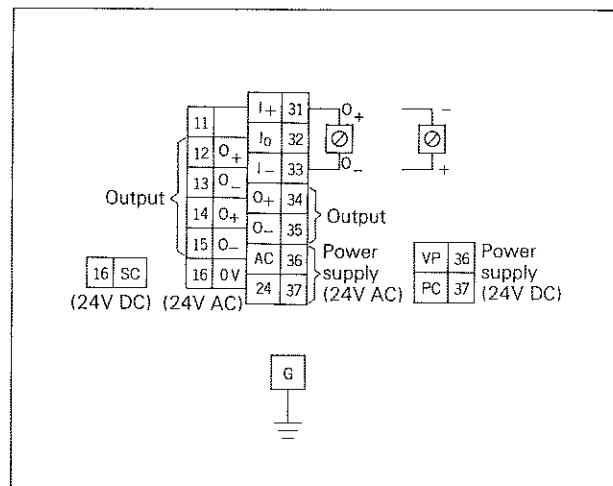
BASIC CIRCUIT DIAGRAM



OUTLINE DIAGRAM (Unit:mm)



CONNECTION DIAGRAM



ORDERING INFORMATION

1. Product name
2. Code symbol
3. Input specifications
4. Instrument specifications (accuracy)
5. Other

• Asterisked (*) items; Non standard

Fuji Electric Co.,Ltd.

Shinjuku Office

Overseas Sales Division, Systems Sector
 30-3 Yoyogi 4-chome, Shibuya-ku
 Tokyo, 151 Japan
 Phone : Tokyo 375-5031, 7110
 Telex : 02322165 FDENKI/J

Head Office

12-1 Yurakucho 1-chome, Chiyoda-ku
 Tokyo, 100 Japan
 Phone : Tokyo 211-7111
 Telex : J22331 FUJIELEA or FUJIELEB