



Features

- Maximum height of 1.25 mm
- Current up to 2.6 A
- RoHS compliant*

Applications

- Input/output of DC/DC converters
- Power supplies for:
 - Portable communication equipment
 - Camcorders
 - LCD TVs
 - Car radios

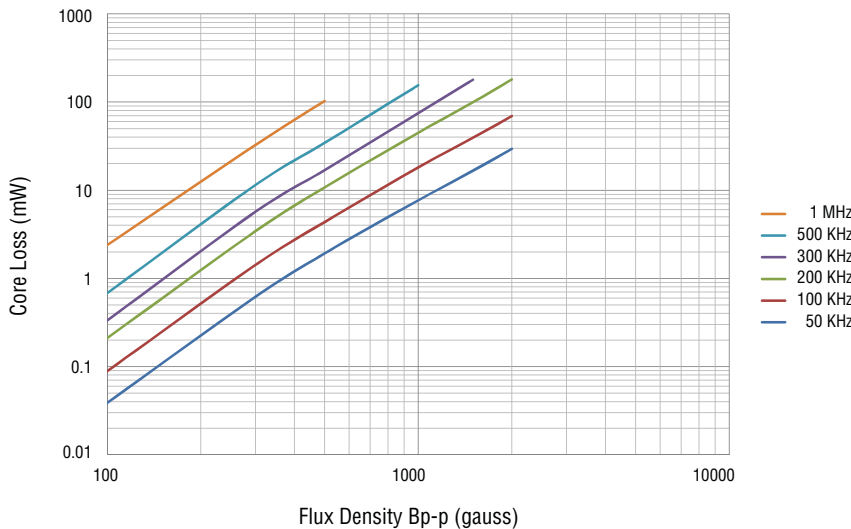
SRU6011 Series - Shielded SMD Power Inductors

Electrical Specifications

Bourns Part Number	Inductance @ 100 KHz		Q Ref.	Test Freq. (MHz)	SRF Typ. (MHz)	RDC Max. (mΩ)	I rms Max. (A)	I sat Typ. (A)	**K-Factor
	L (μH)	Tol. (%)							
SRU6011-1R4Y	1.4	±30	8	7.96	140	40	2.60	1.80	707
SRU6011-2R7Y	2.7	±30	8	7.96	100	62	2.20	1.45	490
SRU6011-4R7Y	4.7	±30	8	7.96	70	86	1.80	1.10	374
SRU6011-6R8Y	6.8	±30	7	7.96	55	136	1.40	0.90	303
SRU6011-100Y	10	±30	12	2.52	45	220	1.10	0.72	236
SRU6011-150Y	15	±30	10	2.52	32	320	0.95	0.62	193
SRU6011-220Y	22	±30	10	2.52	26	390	0.80	0.48	163
SRU6011-330Y	33	±30	10	2.52	22	560	0.68	0.38	141
SRU6011-470Y	47	±30	10	2.52	20	850	0.55	0.32	112
SRU6011-680Y	68	±30	12	2.52	18	1200	0.46	0.28	92

**K-Factor: To calculate core flux density, B_{p-p} (gauss) = $K \times L(\mu H) \times \Delta I$ (peak-to-peak ripple current, A), determine core loss from *Core Loss vs. Flux Density* plot.

Core Loss vs. Flux Density



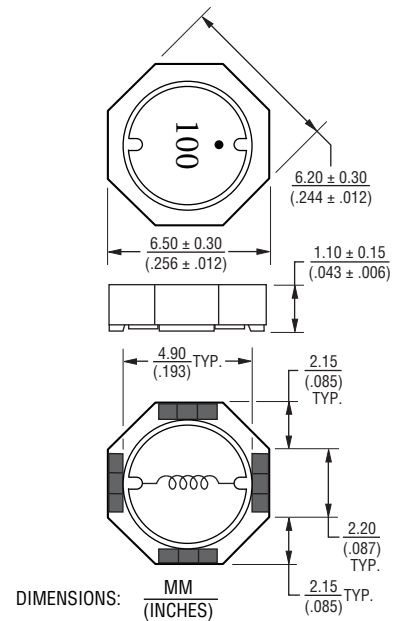
General Specifications

Test Voltage 0.1 V
 Reflow Soldering .. 230 °C, 50 sec. max.
 Operating Temp. -40 °C to +125 °C
 (Temperature rise included)
 Storage Temp. -40 °C to +125 °C
 Resistance to Soldering Heat
 260 °C for 10 sec.

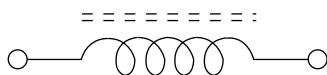
Materials

Core Ferrite DR and RI core
 Wire Enameled copper
 Terminal Ag/Ni/Sn
 Rated Current.. Ind. drop 35 % typ. at Isat
 Temp. Rise 40 °C max. at rated I rms
 Packaging 1000 pcs. per reel

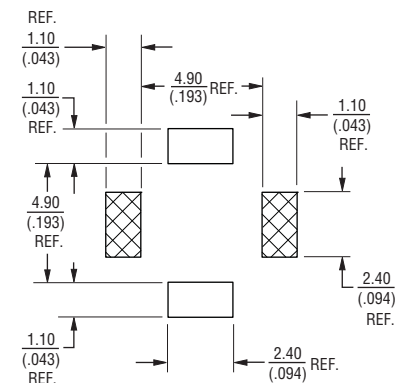
Product Dimensions



Electrical Schematic



Recommended Layout



* RoHS Directive 2002/95/EC Jan. 27, 2003 including annex and RoHS Recast 2011/65/EU June 8, 2011.

Specifications are subject to change without notice.

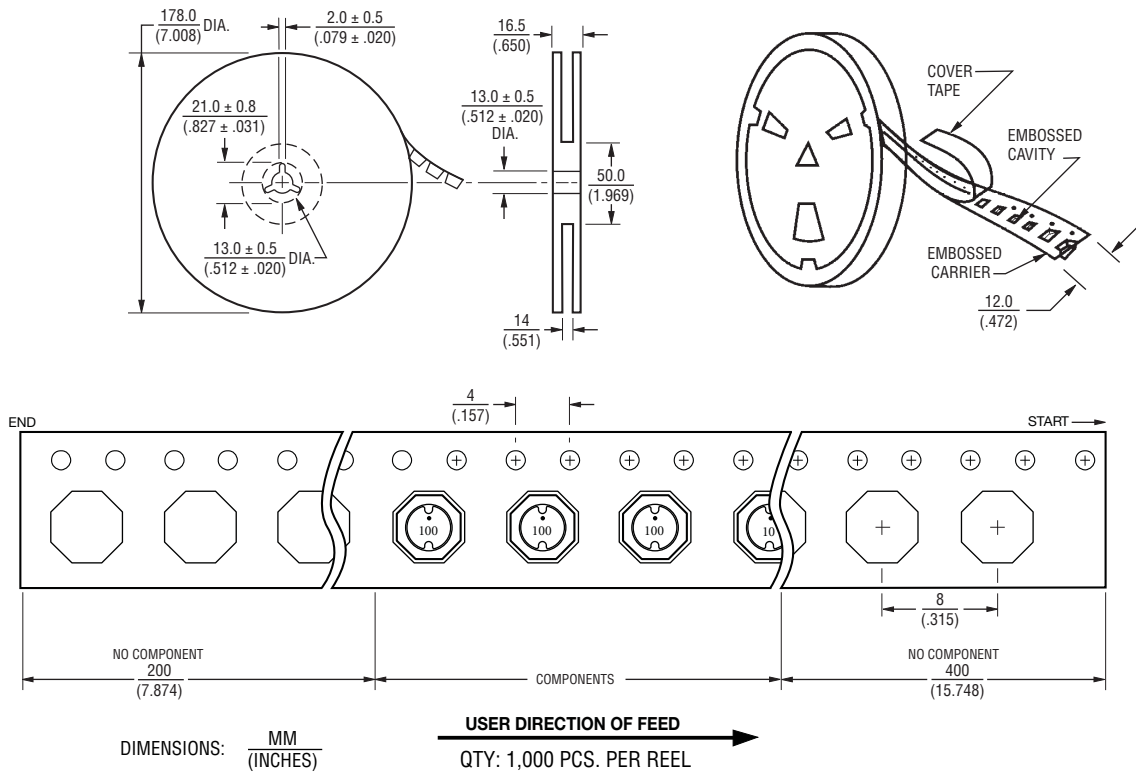
The device characteristics and parameters in this data sheet can and do vary in different applications and actual device performance may vary over time.

Users should verify actual device performance in their specific applications.

SRU6011 Series - Shielded SMD Power Inductors

BOURNS®

Packaging Specifications



REV. 11/13

Specifications are subject to change without notice.
 The device characteristics and parameters in this data sheet can and do vary in different applications and actual device performance may vary over time.
 Users should verify actual device performance in their specific applications.