

June 2002

EXAR'S SINGLE CHANNEL UARTS COMPARED WITH TI'S TL16C550C

Author: PY

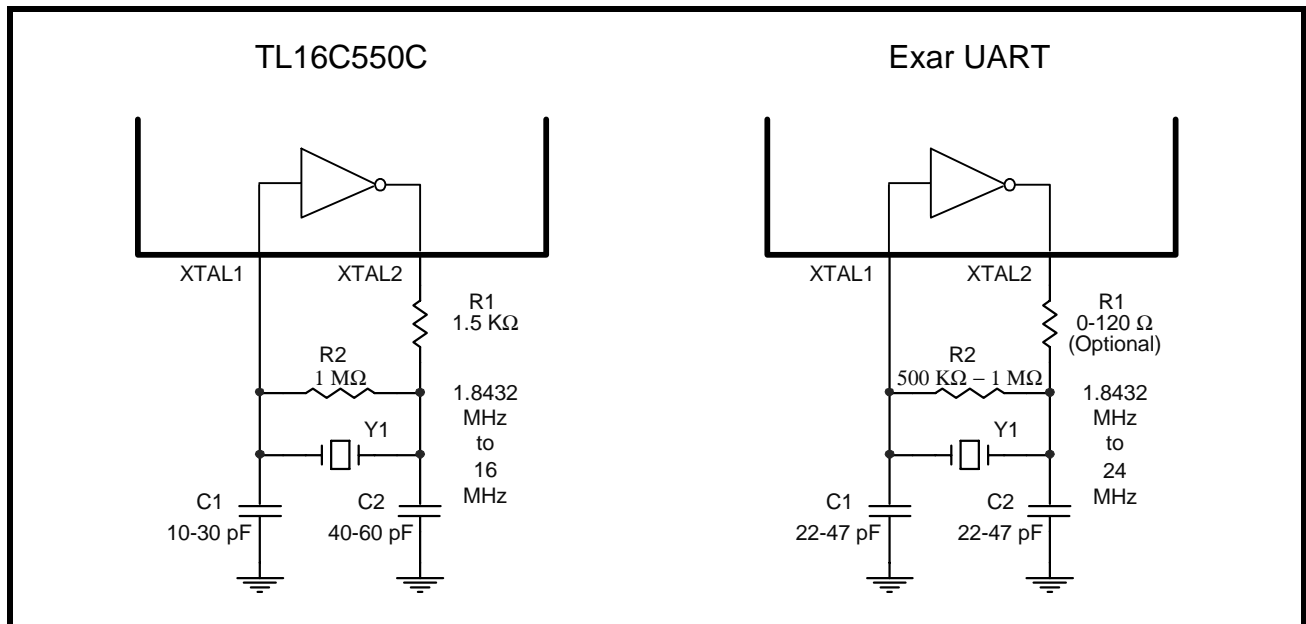
1.0 INTRODUCTION

This application note describes the major difference between Exar's ST16C550, ST16C580, ST16C650A, and XR16C850 with TI's TL16C550C. These devices are very similar, with a few hardware, bus timing and firm-ware-related differences.

1.1 HARDWARE DIFFERENCES

- The TI TL16C550C and Exar's ST16C550, ST16C580, ST16C650A and XR16C850 are all available in the 48-pin TQFP, 44-pin PLCC, and 40-pin PDIP packages. Additionally, the XR16C850 is available in the 52-pin QFP package. The Exar and TI UARTs are pin-to-pin compatible in the 40-pin PDIP package. In the 48-pin TQFP and 44-pin PLCC packages, the Exar and TI UARTs are pin-to-pin compatible if pin 34 of the ST16C650A and XR16C850 is tied to VCC (pin 34 of the TL16C550C, ST16C550, ST16C580 are not used).
- The oscillator circuitry is similar, but there are some differences when using a crystal oscillator and when using an external clock. See Figure 1 below for the differences in the oscillator circuitry for a crystal oscillator. When using an external clock input for frequencies greater than 24 MHz, the Exar UARTs will require a 2K pull-up resistor on the XTAL2 pin.

FIGURE 1. CRYSTAL OSCILLATOR CIRCUITRY DIFFERENCES



1.2 BUS TIMING DIFFERENCES

- The TL16C550C requires that the -CS pin is asserted first before the -IOR or -IOW pin and the -IOR or -IOW pin must be de-asserted before the -CS pin is de-asserted. During a read, the Exar UART can have either the -CS or the -IOR signal asserted first and have either signal be de-asserted first. The signals are wire-ORed in the Exar UART, therefore the second signal asserted will initiate the read cycle and the first signal de-asserted terminates the read cycle. The same is true during a write for -CS and -IOW. The flexibility of the Exar UART timing can be important in DSP, ARM, and MIPS designs.

1.3 FIRMWARE DIFFERENCES

1.3.1 Firmware Differences Between the TL16C550C and ST16C550

The internal registers in the TL16C550C and ST16C550 are similar but with some exceptions:

TABLE 1: ST16C550 AND TL16C550C REGISTER SET DIFFERENCES

A2:A0	R/W	ST16C550	TL16C550C
LCR Bit-7 = 0			
100	R/W	Modem Control Register (MCR) • Bit-5 = Not Used	Modem Control Register (MCR) • Bit-5 = Auto RTS/CTS Flow Control Enable

R = Read-Only, W = Write-Only, R/W = Read/Write

1.3.2 Summary of Differences Between the ST16C550 and TL16C550C

The differences between the ST16C550 and TL16C550C is summarized in the table below.

TABLE 2: DIFFERENCES BETWEEN EXAR'S ST16C550 WITH TI'S TL16C550C

COMPARISON	ST16C550	TL16C550C
Data Bus Standard	Intel	Intel
Power Supply Operation	3.3 and 5 V	3.3 and 5 V
Max Operating Current	1.3 mA @ 3.3 V 3 mA @ 5 V	8 mA @ 3.3 V 10 mA @ 5 V
Max Frequency on XTAL1	16 MHz @ 3.3 V 24 MHz @ 5 V	14 MHz @ 3.3 V 16 MHz @ 5 V
Data Sampling Rates	16X	16X
BRG Prescaler	1	1
Max Data Rate	1 Mbps @ 3.3 V 1.5 Mbps @ 5 V	875 Kbps @ 3.3 V 1 Mbps @ 5V
Package	44-PLCC, 48-TQFP, 40-PDIP	44-PLCC, 48-TQFP, 40-PDIP
Operating Temperature Ranges	Commercial and Industrial	Commercial and Industrial
TX/RX FIFO Size	16	16
TX/RX Trigger Tables	1 Trigger Table	1 Trigger Table
TX FIFO Interrupt Trigger Levels	1	1
RX FIFO Interrupt Trigger Levels	4 Selectable	4 Selectable
Hardware Flow Control	N/A	Auto RTS/CTS Flow Control
Software Flow Control	N/A	N/A
Infrared Mode	N/A	N/A
Sleep Mode	N/A	N/A
Low Power Mode	N/A	N/A
Diagnostic Modes	Local loopback	Local Loopback
RS485 Mode	N/A	N/A

DATA COMMUNICATIONS APPLICATION NOTE

DAN132



1.3.3 Firmware Differences Between the TL16C550C and ST16C580

The internal registers in the TL16C550C and ST16C580 are similar but with some exceptions:

TABLE 3: ST16C580 AND TL16C550C REGISTER SET DIFFERENCES

A2:A0	R/W	ST16C580	TL16C550C
LCR Bit-7 = 0			
001	R/W	Interrupt Enable Register (IER) <ul style="list-style-type: none"> • Bit-7 = Auto CTS# Interrupt Enable • Bit-6 = Auto RTS# Interrupt Enable • Bit-5 = Xoff Interrupt Enable • Bit-4 = Sleep Mode Enable 	Interrupt Enable Register (IER) <ul style="list-style-type: none"> • Bit-7 = Not Used • Bit-6 = Not Used • Bit-5 = Not Used • Bit-4 = Not Used
010	W	FIFO Control Register (FCR) <ul style="list-style-type: none"> • Bit-5 = TX FIFO Trigger Level Select Bit-1 • Bit-4 = TX FIFO Trigger Level Select Bit-0 	FIFO Control Register (FCR) <ul style="list-style-type: none"> • Bit-5 = Not Used • Bit-4 = Not Used
010	R	Interrupt Status Register (ISR) <ul style="list-style-type: none"> • Bit-5 = Auto RTS/CTS Interrupt • Bit-4 = Xoff or Special Character Interrupt 	Interrupt Status Register (ISR) <ul style="list-style-type: none"> • Bit-5 = Not Used • Bit-4 = Not Used
100	R/W	Modem Control Register (MCR) <ul style="list-style-type: none"> • Bit-7 = BRG Prescaler Select • Bit-6 = IR Mode Enable • Bit-5 = Not Used 	Modem Control Register (MCR) <ul style="list-style-type: none"> • Bit-7 = Not Used • Bit-6 = Not Used • Bit-5 = Auto RTS/CTS Flow Control Enable
LCR = 0xBF			
010	R/W	Enhanced Feature Register (EFR) <ul style="list-style-type: none"> • Auto RTS/CTS Enable, Enhanced Functions Enable, Software Flow Control Select 	N/A
100	R/W	XON1	N/A
101	R/W	XON2	N/A
110	R/W	XOFF1	N/A
111	R/W	XOFF2	N/A

R = Read-Only, W = Write-Only, R/W = Read/Write

1.3.3.1 Summary of Differences Between the ST16C580 and TL16C550C

The differences between the ST16C580 and TL16C550C is summarized in the table below.

TABLE 4: DIFFERENCES BETWEEN EXAR'S ST16C580 WITH TI'S TL16C550C

COMPARISON	ST16C580	TL16C550C
Data Bus Standard	Intel	Intel
Power Supply Operation	3.3 and 5 V	3.3 and 5 V
Max Operating Current	1.3 mA @ 3.3 V 3 mA @ 5 V	8 mA @ 3.3 V 10 mA @ 5 V
Max Frequency on XTAL1	8 MHz @ 3.3 V 24 MHz @ 5 V	14 MHz @ 3.3 V 16 MHz @ 5 V
Data Sampling Rates	16X	16X
BRG Prescaler	1 or 4	1
Max Data Rate	500 Kbps @ 3.3 V 1.5 Mbps @ 5 V	875 Kbps @ 3.3 V 1 Mbps @ 5V
Package	44-PLCC, 48-TQFP, 40-PDIP	44-PLCC, 48-TQFP, 40-PDIP
Operating Temperature Ranges	Commercial and Industrial	Commercial and Industrial
TX/RX FIFO Size	16	16
TX/RX Trigger Tables	1 Trigger Table	1 Trigger Table
TX FIFO Interrupt Trigger Levels	4 Selectable	1
RX FIFO Interrupt Trigger Levels	4 Selectable	4 Selectable
Hardware Flow Control	Auto RTS/CTS Flow Control	Auto RTS/CTS Flow Control
Software Flow Control	Auto Xon/Xoff Flow Control	N/A
Infrared Mode	IrDA encoder/decoder (ver 1.0)	N/A
Sleep Mode	Sleep Mode with Auto Wake-up	N/A
Low Power Mode	N/A	N/A
Diagnostic Modes	Local loopback	Local Loopback
RS485 Mode	N/A	N/A

DATA COMMUNICATIONS APPLICATION NOTE

DAN132



1.3.4 Firmware Differences Between the TL16C550C and ST16C650A

The internal registers in the ST16C650A offers more features than the TL16C550C with these differences:

TABLE 5: ST16C650A AND TL16C550C REGISTER SET DIFFERENCES

A2:A0	R/W	ST16C650A	TL16C550C
LCR Bit-7 = 0			
001	R/W	Interrupt Enable Register (IER) <ul style="list-style-type: none"> • Bit-7 = Auto CTS# Interrupt Enable • Bit-6 = Auto RTS# Interrupt Enable • Bit-5 = Xoff Interrupt Enable 	Interrupt Enable Register (IER) <ul style="list-style-type: none"> • Bit-7 = Not Used • Bit-6 = Not Used • Bit-5 = Not Used
010	W	FIFO Control Register (FCR) <ul style="list-style-type: none"> • Bit-5 = TX FIFO Trigger Level Select Bit-1 • Bit-4 = TX FIFO Trigger Level Select Bit-0 	FIFO Control Register (FCR) <ul style="list-style-type: none"> • Bit-5 = Not Used • Bit-4 = Not Used
010	R	Interrupt Status Register (ISR) <ul style="list-style-type: none"> • Bit-5 = Auto RTS/CTS Interrupt • Bit-4 = Xoff or Special Character Interrupt 	Interrupt Status Register (ISR) <ul style="list-style-type: none"> • Bit-5 = Not Used • Bit-4 = Not Used
100	R/W	Modem Control Register (MCR) <ul style="list-style-type: none"> • Bit-7 = BRG Prescaler • Bit-6 = Infrared Mode Enable • Bit-5 = INT Type Select • Bit-3 = OP2 Control/INT Output Enable in PC Mode 	Modem Control Register (MCR) <ul style="list-style-type: none"> • Bit-7 = Not Used • Bit-6 = Not Used • Bit-5 = Auto RTS/CTS Flow Control Enable • Bit-3 = OP2 Control
101	W	Extra Feature Register (XFR) <ul style="list-style-type: none"> • RS485 Output Inversion, XonAny, LSR Interrupt Immediate, RS485 Enable, IR RX Inversion, IR Half-Duplex/Full-Duplex Mode 	N/A
110	W	Infrared Transmit Pulsetwidth Control Register (IRPW)	N/A
LCR Bit-7 = 0, DLL = 0x00, DLM = 0x00			
000	R	Device Revision (DREV)	N/A
001	R	Device ID (DVID)	N/A
LCR = 0xBF			
010	R/W	Enhanced Feature Register (EFR) <ul style="list-style-type: none"> • Auto RTS/CTS Enable, Enhanced Functions Enable, Software Flow Control Select 	N/A
100	R/W	XON1	N/A
101	R/W	XON2	N/A
110	R/W	XOFF1	N/A
111	R/W	XOFF2	N/A

R = Read-Only, W = Write-Only, R/W = Read/Write

1.3.4.1 Summary of Differences Between the ST16C650A and TL16C550C

The differences between the ST16C650A and TL16C550C is summarized in the table below.

TABLE 6: DIFFERENCES BETWEEN EXAR'S ST16C650A WITH TI'S TL16C550C

COMPARISON	ST16C650A	TL16C550C
Data Bus Standard	Intel and PC Mode	Intel
Power Supply Operation	3.3 and 5 V	3.3 and 5 V
Max Operating Current	1.3 mA @ 3.3 V 3 mA @ 5 V	8 mA @ 3.3 V 10 mA @ 5 V
Max Frequency on XTAL1	33 MHz @ 3.3 V 50 MHz @ 5 V	14 MHz @ 3.3 V 16 MHz @ 5 V
Data Sampling Rates	16X	16X
BRG Prescaler	1 or 4	1
Max Data Rate	2 Mbps @ 3.3 V 3.125 Mbps @ 5 V	875 Kbps @ 3.3 V 1 Mbps @ 5V
Package	44-PLCC, 48-TQFP, 40-PDIP	44-PLCC, 48-TQFP, 40-PDIP
Operating Temperature Ranges	Commercial and Industrial	Commercial and Industrial
TX/RX FIFO Size	32	16
TX/RX Trigger Tables	1 Trigger Table	1 Trigger Table
TX FIFO Interrupt Trigger Levels	4 Selectable	1
RX FIFO Interrupt Trigger Levels	4 Selectable	4 Selectable
Hardware Flow Control	Auto RTS/CTS Flow Control	Auto RTS/CTS Flow Control
Software Flow Control	Auto Xon/Xoff Flow Control	N/A
Infrared Mode	IrDA encoder/decoder (ver 1.0)	N/A
Sleep Mode	Sleep Mode with Wake-up Indicator via an interrupt	N/A
Low Power Mode	N/A	N/A
Diagnostic Modes	Local loopback	Local Loopback
RS485 Mode	Auto RS485 Mode	N/A

DATA COMMUNICATIONS APPLICATION NOTE

DAN132



1.3.5 Firmware Differences Between the TL16C550C and XR16C850

The internal registers in the TL16C550C and XR16C850 are similar but with some exceptions:

TABLE 7: XR16C850 AND TL16C550C REGISTER SET DIFFERENCES

A2:A0	R/W	XR16C850	TL16C550C
LCR Bit-7 = 0			
001	R/W	Interrupt Enable Register (IER) <ul style="list-style-type: none"> • Bit-7 = Auto CTS# Interrupt Enable • Bit-6 = Auto RTS# Interrupt Enable • Bit-5 = Xoff Interrupt Enable 	Interrupt Enable Register (IER) <ul style="list-style-type: none"> • Bit-7 = Not Used • Bit-6 = Not Used • Bit-5 = Low Power Mode
010	W	FIFO Control Register (FCR) <ul style="list-style-type: none"> • Bit-5 = TX FIFO Trigger Level Select Bit-1 • Bit-4 = TX FIFO Trigger Level Select Bit-0 	FIFO Control Register (FCR) <ul style="list-style-type: none"> • Bit-5 = 64 Byte FIFO Enable • Bit-4 = Not Used
010	R	Interrupt Status Register (ISR) <ul style="list-style-type: none"> • Bit-5 = Auto RTS/CTS Interrupt • Bit-4 = Xoff or Special Character Interrupt 	Interrupt Status Register (ISR) <ul style="list-style-type: none"> • Bit-5 = 64 Byte FIFO Enabled • Bit-4 = Not Used
100	R/W	Modem Control Register (MCR) <ul style="list-style-type: none"> • Bit-7 = BRG Prescaler • Bit-6 = IR Mode Enable • Bit-5 = XonAny • Bit-3 = OP2 Control/INT Output Enable in PC Mode • Bit-2 = OP1 Control/Auto RS485 Enable 	Modem Control Register (MCR) <ul style="list-style-type: none"> • Bit-7 = Not Used • Bit-6 = Not Used • Bit-5 = Auto RTS/CTS Flow Control Enable • Bit-3 = OP2 Control • Bit-2 = OP1 Control
LCR Bit-7 = 0, FCTR Bit-6 = 1			
111	W	Enhanced Mode Select Register (EMSR) <ul style="list-style-type: none"> • RX/TX DMA Select, FLVL select - TX or RX FIFO 	N/A
111	R	FIFO Level Register (FLVL) <ul style="list-style-type: none"> • Current Level of the TX or RX FIFO 	N/A
LCR Bit-7 = 0, DLL = 0x00, DLM = 0x00			
000	R	Device Revision (DREV)	N/A
001	R	Device ID (DVID)	N/A
LCR = 0xBF			
000	R	FIFO Data Count Register (FC)	N/A
000	W	Trigger Level Register (TRG) <ul style="list-style-type: none"> • Programmable Trigger Levels 1-64 for TX and RX FIFO 	N/A
001	R/W	Feature Control Register (FCTR) <ul style="list-style-type: none"> • RX/TX Programmable Trigger Level Select, Scratchpad Swap, Trigger Table Select, Auto RS485 Enable, RX IR Input Inversion, Auto RTS Hysteresis Select (LSB) 	N/A
010	R/W	Enhanced Feature Register (EFR) <ul style="list-style-type: none"> • Auto RTS/CTS Enable, Enhanced Functions Enable, Software Flow Control Select 	N/A
100	R/W	XON1	N/A
101	R/W	XON2	N/A
110	R/W	XOFF1	N/A
111	R/W	XOFF2	N/A

R = Read-Only, W = Write-Only, R/W = Read/Write

1.3.5.1 Summary of Differences Between the XR16C850 and TL16C550C

The differences between the XR16C850 and TL16C550C is summarized in the table below.

TABLE 8: DIFFERENCES BETWEEN EXAR'S XR16C850 WITH TI'S TL16C550C

COMPARISON	XR16C850	TL16C550C
Data Bus Standard	Intel and PC Mode	Intel
Device ID and Revision	Device ID and Revision	
Power Supply Operation	3.3 and 5 V	3.3 and 5 V
Max Operating Current	2.7 mA @ 3.3 V 4 mA @ 5 V	8 mA @ 3.3 V 10 mA @ 5 V
Max Frequency on XTAL1	22 MHz @ 3.3 V 33 MHz @ 5 V	14 MHz @ 3.3 V 16 MHz @ 5 V
Data Sampling Rates	16X	16X
BRG Prescaler	1 or 4	1
Max Data Rate	1.375 Mbps @ 3.3 V 2 Mbps @ 5 V	875 Kbps @ 3.3 V 1 Mbps @ 5V
Package	44-PLCC, 48-TQFP, 40-PDIP, 52-QFP	44-PLCC, 48-TQFP, 40-PDIP
Operating Temperature Ranges	Commercial and Industrial	Commercial and Industrial
TX/RX FIFO Size	128	16
TX/RX Trigger Tables	4 Trigger Tables	1 Trigger Table
TX FIFO Interrupt Trigger Levels	Programmable (Table D) 4 Selectable (Tables A-C)	1
RX FIFO Interrupt Trigger Levels	Programmable (Table D) 4 Selectable (Tables A-C)	4 Selectable
TX/RX FIFO Counters	TX/RX FIFO Counters	N/A
Hardware Flow Control	Auto RTS/CTS Flow Control	Auto RTS/CTS Flow Control
Software Flow Control	Auto Xon/Xoff Flow Control	N/A
Auto Hysteresis Level	16 Selectable Levels	N/A
Infrared Mode	IrDA encoder/decoder (ver 1.0)	N/A
Sleep Mode	Sleep Mode with Auto Wake-up	N/A
Low Power Mode	N/A	N/A
Diagnostic Modes	Local loopback	Local Loopback
RS485 Mode	Auto RS485 Mode	N/A
Direct Memory Access Mode	Direct Memory Access Mode (52-QFP)	N/A
16-Bit Bus Mode	16-Bit Bus Mode (52-QFP)	N/A

1.4 REPLACING THE TL16C550C WITH THE ST16C550, ST16C580, ST16C650A OR XR16C850

You can directly replace TI's TL16C550C with Exar's ST16C550, ST16C580, ST16C650A or XR16C850 with minimal hardware changes if using the 48-TQFP, 44-PLCC or 40-PDIP packages. The same crystal oscillator circuitry should work in most cases, but it may be necessary to modify the oscillator circuitry as shown in Figure 1. If replacing with the XR16C850 in the 52-QFP package, hardware changes will be required since the TL16C550C is not available in that package.

Replacing the TL16C550C with the ST16C550 is simple when the system is not using Automatic RTS/CTS Hardware Flow Control.

When replacing the TL16C550C with the ST16C580, the software will need to be modified since Automatic RTS/CTS Hardware Flow Control is enabled differently for each UART. Also, the ST16C580 has some enhanced features that the TL16C550C does not like Automatic Xon/Xoff Software Flow Control, Sleep Mode and Infrared Mode.

When replacing the TL16C550C with the ST16C650A or XR16C850, the software will need to be modified since Automatic RTS/CTS Hardware Flow Control is enabled differently for each UART. And it would also need to be updated in order to take advantage of the enhanced features of the ST16C650A and XR16C850 that are not available in the TL16C550C.

There should not be any timing problems replacing the TL16C550C with the ST16C550, ST16C580, ST16C650A or XR16C850 because they are more flexible than the TL16C550C as described in the bus timing section.

NOTICE

EXAR Corporation reserves the right to make changes to the products contained in this publication in order to improve design, performance or reliability. EXAR Corporation assumes no responsibility for the use of any circuits described herein, conveys no license under any patent or other right, and makes no representation that the circuits are free of patent infringement. Charts and schedules contained here in are only for illustration purposes and may vary depending upon a user's specific application. While the information in this publication has been carefully checked; no responsibility, however, is assumed for inaccuracies.

EXAR Corporation does not recommend the use of any of its products in life support applications where the failure or malfunction of the product can reasonably be expected to cause failure of the life support system or to significantly affect its safety or effectiveness. Products are not authorized for use in such applications unless EXAR Corporation receives, in writing, assurances to its satisfaction that: (a) the risk of injury or damage has been minimized; (b) the user assumes all such risks; (c) potential liability of EXAR Corporation is adequately protected under the circumstances.

Copyright 2002 EXAR Corporation

June 2002

Send your UART technical inquiry with technical details to hotline: uarttechsupport@exar.com

Reproduction, in part or whole, without the prior written consent of EXAR Corporation is prohibited.