

PLEASE CHECK WWW.MOLEX.COM FOR LATEST PART INFORMATION

Part Number: [0885270403](#)
Status: **Active**
Overview: [fiber optic product families](#)
Description: FC/PC-to-FC/APC, Singlemode, 9/125µm/G652, Simplex, 0.90mm (.035"), Standard Fiber Optic Cable Assembly, 5.0m (16.40')

Documents:

[Drawing \(PDF\)](#) [RoHS Certificate of Compliance \(PDF\)](#)

General

Product Family	Fiber Optic Assemblies
Series	88527
Connector to Connector	FC/PC-to-FC/APC
Mode	Singlemode
Overview	fiber optic product families
Product Name	FC

Physical

Cable Length	5.0m (16.40')
Cable Size	0.90mm (.035")
Fiber (Core/Cladding)	9/125µm/G652
Single Ended	No
Wire/Cable Type	Simplex

Material Info

Reference - Drawing Numbers

Sales Drawing	SD-88527-003
---------------	--------------

EU RoHS

RoHS Compliant by Exemption
REACH SVHC
Not Reviewed
Halogen-Free
Status
Not Reviewed

China RoHS

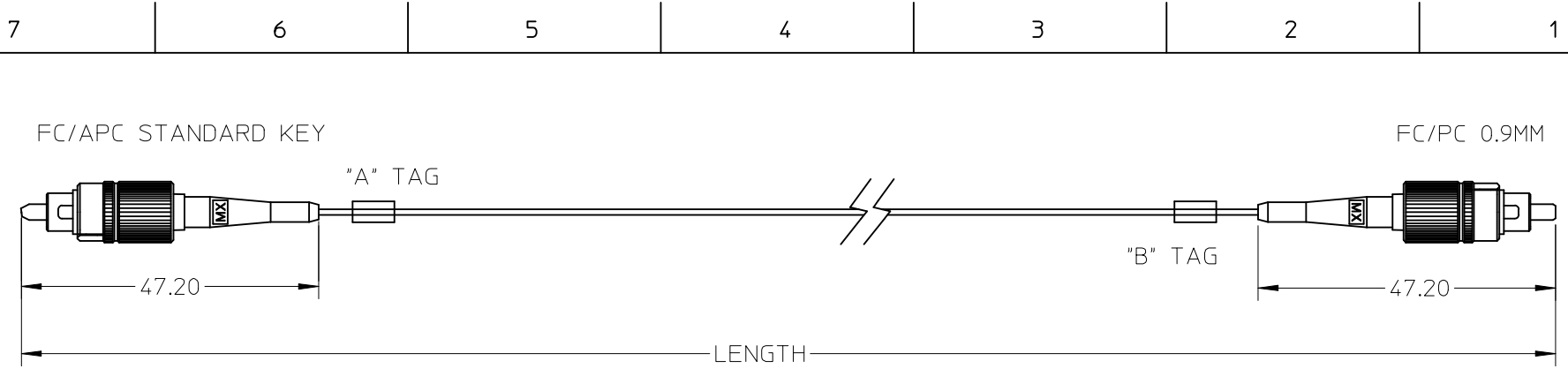


Need more information on product environmental compliance?

Email productcompliance@molex.com
 For a multiple part number RoHS Certificate of Compliance, [click here](#)

Please visit the [Contact Us](#) section for any non-product compliance questions.

Search Parts in this Series
[88527Series](#)



NOTES:
 1. DUST CAPS ARE NOT SHOWN
 2. PER CHANNEL @ 1310nm
 APC SIDE: IL<=0.40dB
 RL>60dB
 PC SIDE: IL<=0.30dB
 RL>50dB

885270404	FC/APC-FC/PC SIM SM 0.9MM 10M	10000(+200/-0)
885270403	FC/APC-FC/PC SIM SM 0.9MM 5M	5000(+200/-0)
885270402	FC/APC-FC/PC SIM SM 0.9MM 3M	3000(+200/-0)
885270401	FC/APC-FC/PC SIM SM 0.9MM 2M	2000(+200/-0)
885270400	FC/APC-FC/PC SIM SM 0.9MM 1M	1000(+100/-0)
MX P/N	DESCRIPTION	LENGTH

ENTER DESCRIPTION EC NO: DG2009-0079 DRWN:XPCHEN CHKD: APPR:JOWANG	2008/11/10 2008/11/10 2008/11/12	QUALITY SYMBOLS ▽=0 ◻=0	GENERAL TOLERANCES (UNLESS SPECIFIED)		DIMENSION STYLE MM ONLY		SCALE ---	DESIGN UNITS METRIC	THIRD ANGLE PROJECTION			
				mm	INCH	DRAWN BY XP	DATE 2008/09/19	FC/APC-FC/PC SIM SM 0.9MM				
			4 PLACES	±---	±---	CHECKED BY LISA	DATE 2008/09/19					
			3 PLACES	±---	±---	APPROVED BY JOHNNY	DATE 2008/09/19	MOLEX INCORPORATED ENTER PART SD-88527-003				
			2 PLACES	±---	±---	MATERIAL NO.	DOCUMENT NO.					
1 PLACE	±---	±---	DRAFT WHERE APPLICABLE MUST REMAIN WITHIN DIMENSIONS		SIZE A4		THIS DRAWING CONTAINS INFORMATION THAT IS PROPRIETARY TO MOLEX INCORPORATED AND SHOULD NOT BE USED WITHOUT WRITTEN PERMISSION					