

CABLINE® -VS

0.5mm Pitch

Horizontal Type



- Mating Height : MAX. 1.1mm
- Improved transmission efficiency, High level EMI shield performance and multi point ground
- W-Point Contact with High mating reliability
- Anti-reverse mating design
- Locking bar prevents accidental unmating (Option)
- Soldering connection

【Number of Position】

20p, 30p, 40p

【Ordering Code】

PLUG Connector Set (for Cable)

Parts Ordering (HOUSING)

20454- 0 ** T

① ②

Parts Ordering (SHELL A)

2574- * **

③ ①

Parts Ordering (Pull bar)

2576- * ** - **

④ ① ⑤

RECEPTACLE Connector Set
(for PC Board)

20455- 0 ** E - * 2

① ② ③

【Material / Finish】

Product	Parts	Material	Plating / Color
PLUG	HOUSING	LCP UL94V-0	BLACK
	CONTACT	COPPER ALLOY	Au
	SHELL A	COPPER ALLOY	Au
	SHELL B	COPPER ALLOY	Au
	PULL BAR	STAINLESS STEEL	-
RECEPTACLE	HOUSING	LCP UL94V-0	BLACK
	CONTACT	COPPER ALLOY	Au
	SHELL	COPPER ALLOY	Au

【Applicable Cable Size】

SGC	AWG #40, #42, #44 (AWG #36: Power Only)
DISCRETE	AWG #32, #34, #36

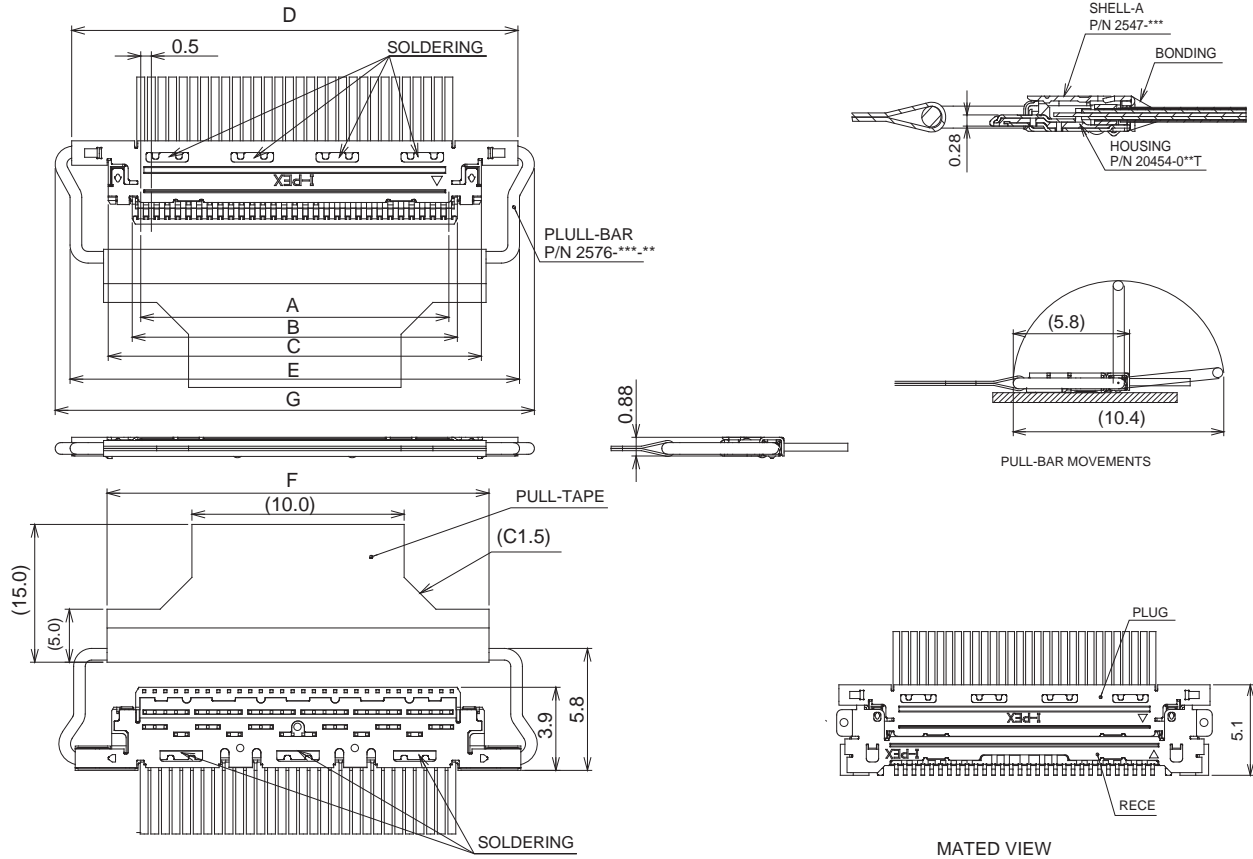
①	POS.	20: 20pos	30: 30pos	40: 40pos
②	Packaging	T	Tray	
③	DATUM MARK	0	With	
		1	Without	
④	INSULATION COAT	0	Without	
		1	With	
⑤	Packing Quantity	-	60,000pcs	
		00	20,000pcs	

①	POS.	20: 20pos	30: 30pos	40: 40pos
②	Packaging	E	Emboss Tape	
③	DATUM MARK	0	With	
		1	Without	

PLUG

Set P/N: 20453-0**T-**

POS.	A	B	C	D	E	F	G
20	9.50	10.30	12.56	16.00	16.15	13.00	17.55
30	14.50	15.30	17.56	21.00	21.15	18.00	22.55
40	19.50	20.30	22.56	26.00	26.15	23.00	27.55



RECEPTACLE

POS.	A	B	C	D	E	F	G
20	9.50	11.30	16.25	14.47	14.30	10.60	18.20
30	14.50	16.30	21.25	19.47	19.30	15.60	23.20
40	19.50	21.30	26.25	24.47	24.30	20.60	28.20

