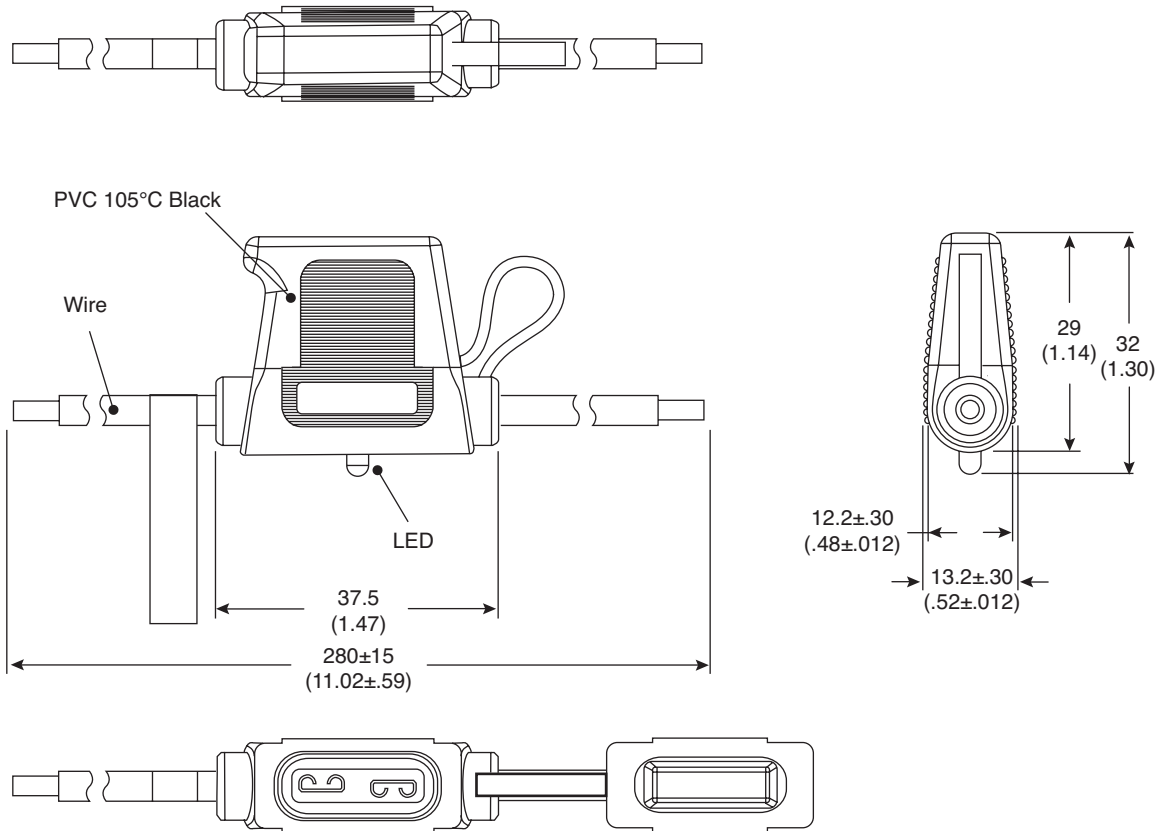


# In-Line Fuse Holders

441-R360A-GR, 441-R360B-GR,  
441-R360C-GR, 441-R360D-GR

Date Last Revised: 6-4-12



## DIMENSIONS: mm (in.)

### SPECIFICATIONS

- Insulation Resistance: 500VDC 100MΩ Min.
- Dielectric Strength: 1000VAC 1 Min.
- Operating Temperature: -20°C~+85°C
- RoHS Compliant

| Mouser Stock No. | Rating       | Wire Gauge | Wire Color |
|------------------|--------------|------------|------------|
| 441-R360A-GR     | 30A/12-24VDC | 12AWG      | RED        |
| 441-R360B-GR     | 20A/12-24VDC | 14AWG      | RED        |
| 441-R360C-GR     | 15A/12-24VDC | 16AWG      | RED        |
| 441-R360D-GR     | 10A/12-24VDC | 18AWG      | RED        |

Available from Mouser Electronics  
1-800-346-6873 / [www.mouser.com](http://www.mouser.com)

EPD-200779

# Mouser Electronics

Authorized Distributor

Click to View Pricing, Inventory, Delivery & Lifecycle Information:

[Eagle Plastic Devices:](#)

[441-R360B-GR](#) [441-R360C-GR](#) [441-R360D-GR](#) [441-R360A-GR](#)