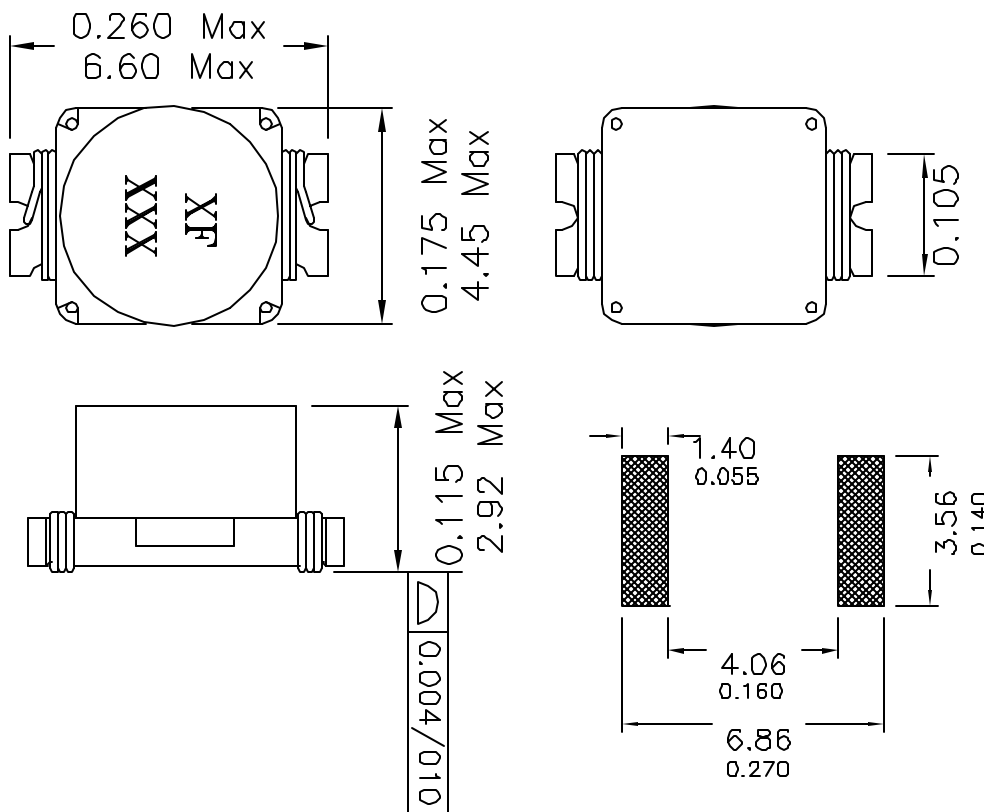


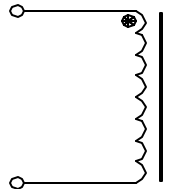
XFS1MDR1714SH SERIES SHIELDED INDUCTORS

- * Shielded Version of the XFS1MDR1714 Series
- * True Surface Mount Design
- * Low Cost, Extremely High Quality Product
- * Tape & Reel Packaging Standard, 2500 Pcs per 13" Reel
- * High Inductance, High Power Ratings For Your Laptop, Palmtop, Point of Power Application
- * Custom Versions Available At No Extra Charge

Mechanical:



Schematic:



UNLESS OTHERWISE SPECIFIED
 TOLERANCES:
 .xxx ±0.30
 ±0.010
 Dimensions in MM/INCH

XFS1MDR1714SH SERIES SHIELDED INDUCTORS

Part	INDUCTANCE ⁽¹⁾	Q	Current max ⁽²⁾	SRF	DCR
Number	uH ±20%	Min	(A)	MHz Typ	Ohms Max
XFS1MDR1714SH-102	1.0	30 @200KHz	1.4	250	0.040
XFS1MDR1714SH-152	1.5	30 @200KHz	0.93	125	0.045
XFS1MDR1714SH-222	2.2	40 @200KHz	0.92	120	0.050
XFS1MDR1714SH-332	3.3	40 @200KHz	0.75	120	0.055
XFS1MDR1714SH-472	4.7	40 @200KHz	0.58	105	0.060
XFS1MDR1714SH-662	6.8	40 @200KHz	0.58	50	0.065
XFS1MDR1714SH-103	10	40 @200KHz	0.37	38	0.075
XFS1MDR1714SH-153	15	40 @100KHz	0.31	33	0.090
XFS1MDR1714SH-223	22	40 @100KHz	0.30	25	0.11
XFS1MDR1714SH-333	33	40 @100KHz	0.30	20	0.19
XFS1MDR1714SH-473	47	40 @100KHz	0.24	20	0.23
XFS1MDR1714SH-663	68	40 @100KHz	0.17	15	0.29
XFS1MDR1714SH-104	100	40 @100KHz	0.13	10	0.48
XFS1MDR1714SH-154	150	40 @100KHz	0.10	9	0.59
XFS1MDR1714SH-224	220	40 @100KHz	0.10	6	0.77
XFS1MDR1714SH-334	330	40 @100KHz	0.07	5	1.40
XFS1MDR1714SH-474	470	40 @100KHz	0.06	4	1.80
XFS1MDR1714SH-664	680	40 @100KHz	0.055	3	2.20
XFS1MDR1714SH-105	1000	40 @100KHz	0.045	2	3.40
XFS1MDR1714SH-155	1500	50 @100KHz	0.035	2	4.20
XFS1MDR1714SH-225	2200	50 @100KHz	0.028	2	8.50
XFS1MDR1714SH-335	3300	50 @100KHz	0.024	1	11.0
XFS1MDR1714SH-475	4700	50 @100KHz	0.021	1	13.9
XFS1MDR1714SH-665	6800	50 @100KHz	0.019	1	25.0
XFS1MDR1714SH-106	10000	50 @100KHz	0.017	0.8	32.8

(1) Inductance test @100KHz 0.1Vrms

(2) 30°C Temperature rise

Notes:

1. Solderability: Leads shall meet MIL-STD-202, Method 208D for solderability.
2. Flammability: UL94V-0
3. ASTM oxygen index: > 28%
4. Insulation System: Class F 155°C. UL file E151556
5. Operating Temperature Range: All listed parameters are to be within tolerance from -40°C to +85°C
6. Storage Temperature Range: -55°C to +125°C
7. Aqueous wash compatible
8. SMD Lead Coplanarity: ±0.004" (0.102mm)
9. Moisture Sensitivity: Level 2