

CONFIDENTIAL. THE INFORMATION CONTAINED IN THIS DOCUMENT IS THE PROPERTY OF COOPER INDUSTRIES, INC. IT IS NOT FOR PUBLIC DISCLOSURE. POSSESSION OF THE INFORMATION DOES NOT CONVEY ANY RIGHT TO LOAN, SELL OR DISCLOSE THE INFORMATION. UNAUTHORIZED REPRODUCTION OR USE OF THE INFORMATION IS PROHIBITED. THIS DOCUMENT IS TO BE RETURNED TO COOPER INDUSTRIES, INC. UPON COMPLETION OF THE PURPOSE FOR WHICH IT IS LOANED OR UPON REQUEST.

COPYRIGHT Cooper Industries, Inc.
This is an unpublished work. The disclosure of this work is limited to select personnel. Further dissemination or disclosure to the public is PROHIBITED. This unpublished work is protected by Federal Copyright law and all rights thereunder are reserved by Cooper Industries, Inc.

SCALE
.75x

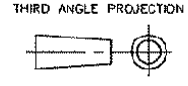
UNLESS OTHERWISE SPECIFIED TOLERANCES TO BE:
METRIC $\pm .13\text{mm}$
INCHES $\pm .005''$
ANGULAR $\pm 2^\circ$

DATE
3-1-05

NO.
4164-A

TITLE
FUSEBLOCK

(O)
INDICATES CRITICAL DIMENSION OR FEATURE



SUP. NO.
DATED

DWG. **BAM** CK. REV. **---**

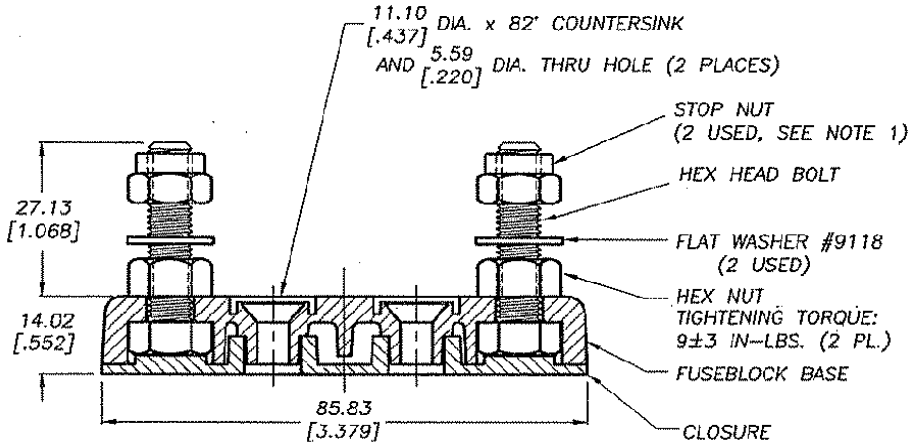
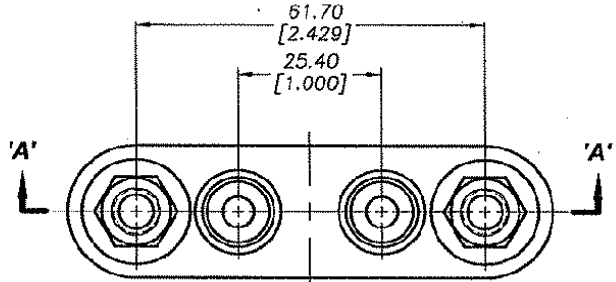
J05054

INCHES (OR U.S. UNITS) IS THE PRIMARY UNIT OF MEASURE
METRIC(mm)
[INCHES]

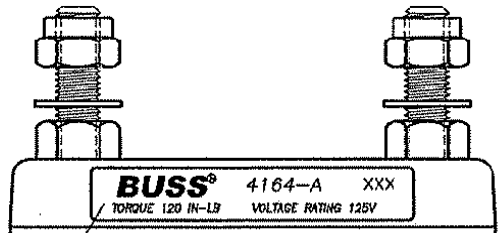
COOPER Bussmann
St. Louis, MO 63178

C/F NO. 63643 DISTRIBUTION 56 J

FOR: ANL LIMITERS



SECTION 'A'-'A'



LABEL

BUSS® 4164-A XXX
TORQUE 120 IN-LB VOLTAGE RATING 125V

DATE CODE

LABEL PRINTING
1.5X

