

PLEASE CHECK WWW.MOLEX.COM FOR LATEST PART INFORMATION

Part Number: [0783670001](#)
Status: **Active**
Description: 1.27mm (.050") Signal Pitch, 0.80mm (.031") SCSI Pitch, 1.27mm (.050") Power Pitch SAS Extended Height Receptacle, SMT, Vertical, with Pegs and Solder Tabs, 15.85mm (.624") Mounted Height, 29 Circuits, Tray, Leadfree

Documents:

[3D Model](#) [Product Specification PS-78367-001 \(PDF\)](#)
[Drawing \(PDF\)](#) [RoHS Certificate of Compliance \(PDF\)](#)

Agency Certification

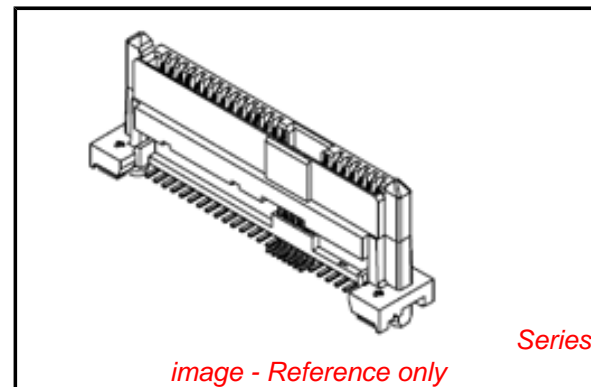
CSA LR19980
 UL E29179

General

Product Family I/O Connectors
 Series [78367](#)
 Application Board-to-Board
 Comments No pick and place cap
 Component Type Receptacle
 Product Name SAS
 Type N/A

Physical

Boot Color N/A
 Circuits (Loaded) 29
 Circuits (maximum) 29
 Circuits Detail Signal 7, SCSI 7, Power 15
 Color - Resin Black
 Durability (mating cycles max) 500
 Flammability 94V-0
 Gender Female
 Keying to Mating Part Yes
 Lock to Mating Part None
 Material - Metal Copper Alloy
 Material - Plating Mating Gold
 Material - Plating Termination Tin
 Material - Resin High Temperature Thermoplastic
 Number of Rows 2
 Orientation Vertical
 PCB Locator Yes
 PCB Retention Yes
 PCB Thickness Recommended (in) 0.100 In
 PCB Thickness Recommended (mm) 2.54 mm
 Packaging Type Tray
 Panel Mount Yes
 Pitch - Mating Interface (in) 0.031 In, 0.050 In
 Pitch - Mating Interface (mm) 0.80 mm, 1.27 mm
 Pitch - Term. Interface (in) 0.031 In, 0.050 In
 Pitch - Term. Interface (mm) 0.80 mm, 1.27 mm
 Plating min: Mating (µin) 30
 Plating min: Mating (µm) 0.76
 Plating min: Termination (µin) 102
 Plating min: Termination (µm) 2.54
 Polarized to Mating Part Yes
 Polarized to PCB Yes



EU RoHS

ELV and RoHS Compliant
REACH SVHC Contains SVHC: No
Halogen-Free Status

China RoHS



Need more information on product environmental compliance?

Email productcompliance@molex.com
 For a multiple part number RoHS Certificate of Compliance, [click here](#)

Please visit the [Contact Us](#) section for any non-product compliance questions.

Search Parts in this Series

[78367Series](#)

Mates With

SFF-8482 Hard Disk Drive and Backplane Plug. [87679](#) Serial ATA Device Plug with Latch. [87703](#) Serial ATA Device Plug without Jumper. [87799](#) Serial ATA Device Plug with Jumper

Surface Mount Compatible (SMC)	N/A
Temperature Range - Operating	0°C to +55°C
Termination Interface: Style	Surface Mount
Waterproof / Dustproof	No
Wire Size AWG	N/A

Electrical

Current - Maximum per Contact	1.5A
Shielded	No
Voltage - Maximum	30V

Solder Process Data

Duration at Max. Process Temperature (seconds)	3
Lead-free Process Capability	Reflow Capable (SMT only)
Max. Cycles at Max. Process Temperature	1
Process Temperature max. C	260

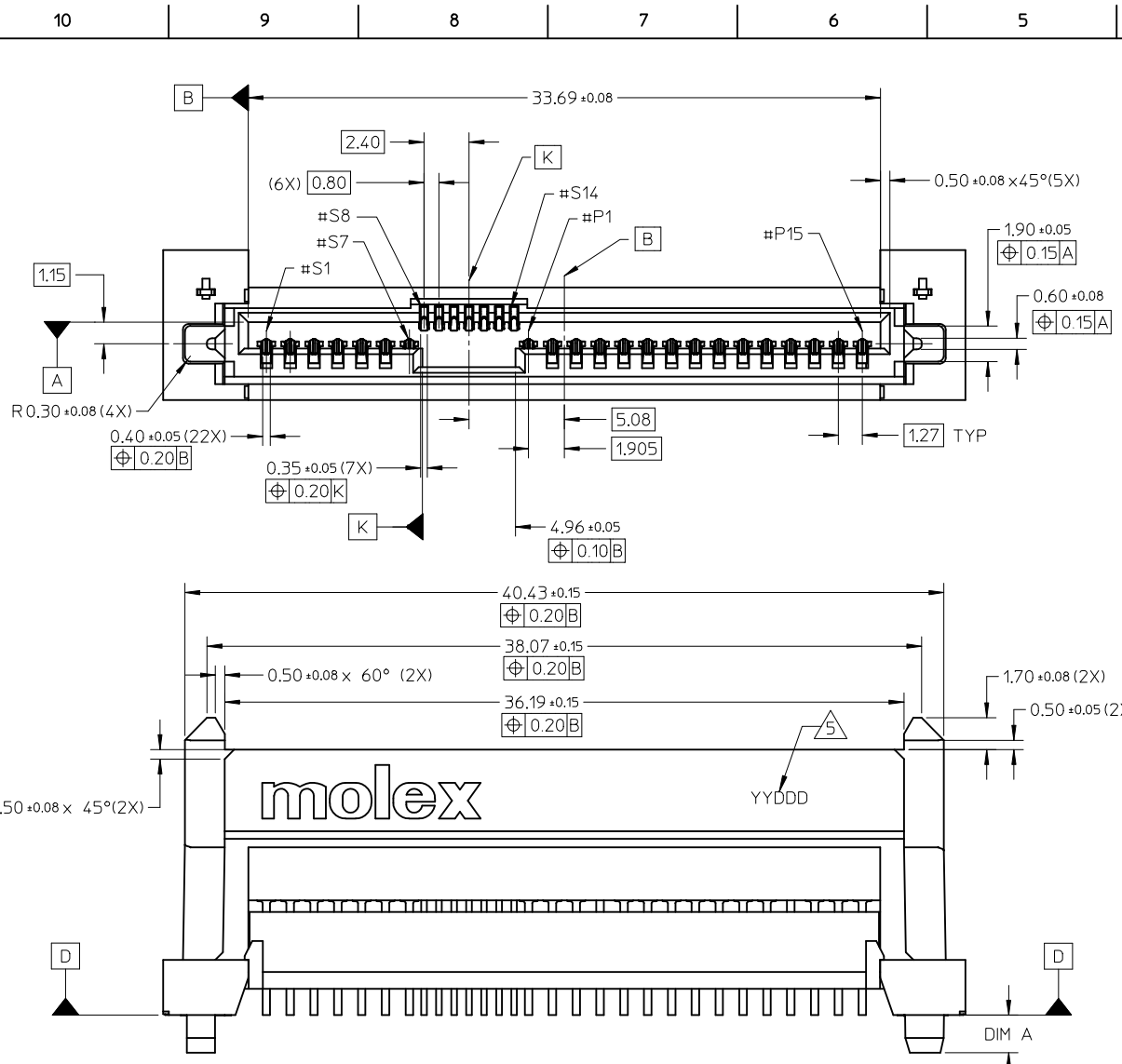
Material Info

Reference - Drawing Numbers

Packaging Specification	PK-78367-002
Product Specification	PS-78367-001
Sales Drawing	SD-78367-001

This document was generated on 04/27/2010

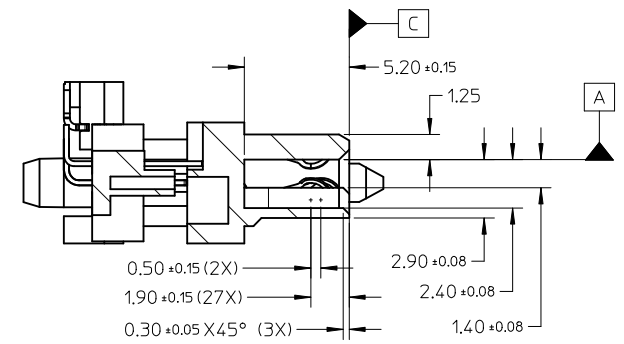
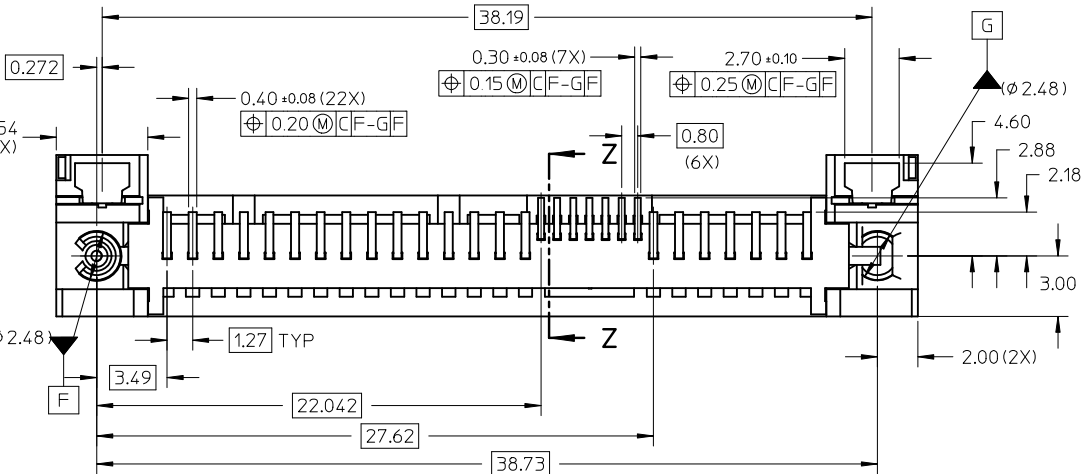
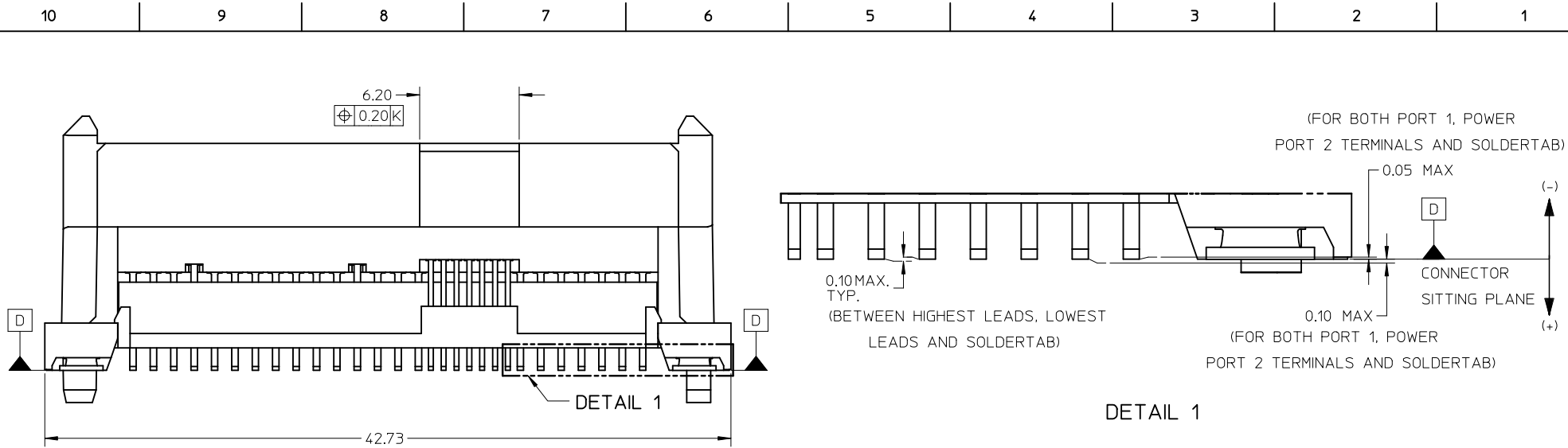
PLEASE CHECK WWW.MOLEX.COM FOR LATEST PART INFORMATION



- NOTES:
- MATERIAL: LIQUID CRYSTALLINE POLYMER (LCP), GLASS FILLED, UL 94V-0, COLOR: BLACK.
 TERMINAL & SOLDER TAB: COPPER ALLOY
 PICK & PLACE CAP: PA46, UL 94V-0, COLOR: BLACK.
 - PLATING:
 CONTACT: 0.76µm MIN. SELECTIVE GOLD OVER 1.27µm MIN.
 NICKEL UNDERPLATE
 SOLDER TAIL: 2.54µm MIN. TIN OVER 1.27µm MIN. NICKEL UNDERPLATE
 SOLDER TAB: 2.54µm MIN. TIN OVER 1.91µm MIN. NICKEL UNDERPLATE.
 - MOLEX LOGO LOCATED APPROXIMATELY AS SHOWN
 - PACKAGING: REFER TO ATTACHED
 - DATE CODE TO BE LOCATED APPROXIMATELY AS SHOWN.
 - PRODUCT IS COMPLIANT TO RoHS DIRECTIVE WITH THE FOLLOWING BANNED SUBSTANCES - LEAD, MERCURY, CADMIUM, HEXAVALENT CHROMIUM, POLYBROMINATED BIPHENYLS AND POLYBROMINATED DIPHENYL ETHERS.
 - PRODUCT SPECIFICATION PS-78367-001 APPLIES.
 - MATES WITH: SFF-8482 PLUG
 SATA PLUG SERIES: 87679, 87703, 87799.
 - NON-FUNCTIONAL CORING MAY VARY.

PART NUMBER	DIM A	PACKAGING
78367-0001	2.00	TRAY
78367-0003	1.00	TRAY
78367-0005	2.00	TAPE & REEL
78367-0006	1.00	TAPE & REEL

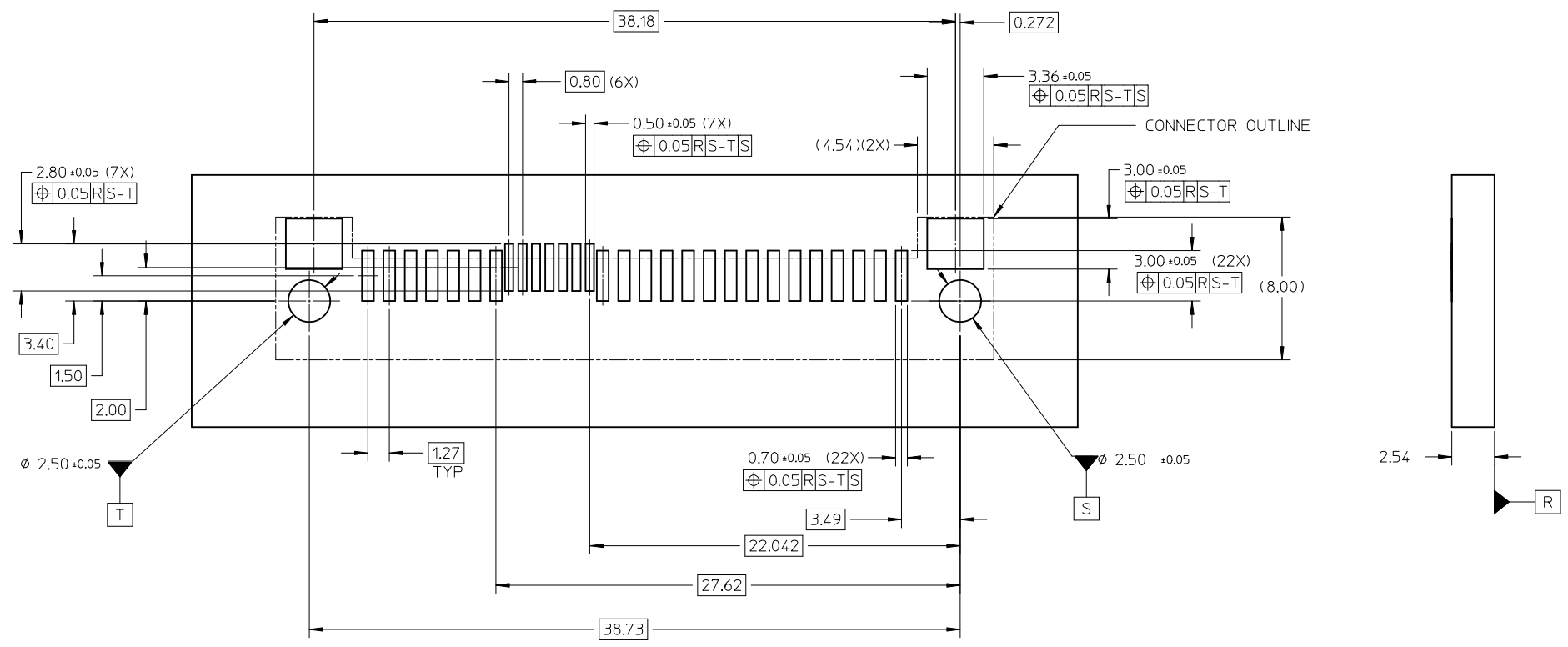
CHANGE TAPE WIDTH EC NO: S2010-0654 DRWN: JYAP 2010/02/03 CHKD: YKOH 2008/02/18 APPR: BOKOK 2010/02/20	QUALITY SYMBOLS F _A =0 F _C =0 F _P =0	GENERAL TOLERANCES (UNLESS SPECIFIED)		DIMENSION STYLE	SCALE	DESIGN UNITS	THIRD ANGLE PROJECTION
		mm	INCH	MM ONLY	NTS	METRIC	
A3		4 PLACES	± ---	± ---	DRAWN BY	DATE	TITLE
		3 PLACES	± ---	± ---	BOKOK	2008/02/01	SAS RECEPTACLE EXTENDED HEIGHT, SMT WITH SOLDER TAB
		2 PLACES	± 0.20	± ---	CHECKED BY	DATE	MOLEX INCORPORATED
		1 PLACE	± ---	± ---	YKOH	2008/02/18	
		ANGULAR ± 3 °		APPROVED BY	DATE	MATERIAL NO.	DOCUMENT NO.
DRAFT WHERE APPLICABLE MUST REMAIN WITHIN DIMENSIONS		SEE TABLE		BOKOK	2010/02/19	SD-78367-001	1 OF 5
THIS DRAWING CONTAINS INFORMATION THAT IS PROPRIETARY TO MOLEX INCORPORATED AND SHOULD NOT BE USED WITHOUT WRITTEN PERMISSION							



DETAIL 1

SECTION Z-Z

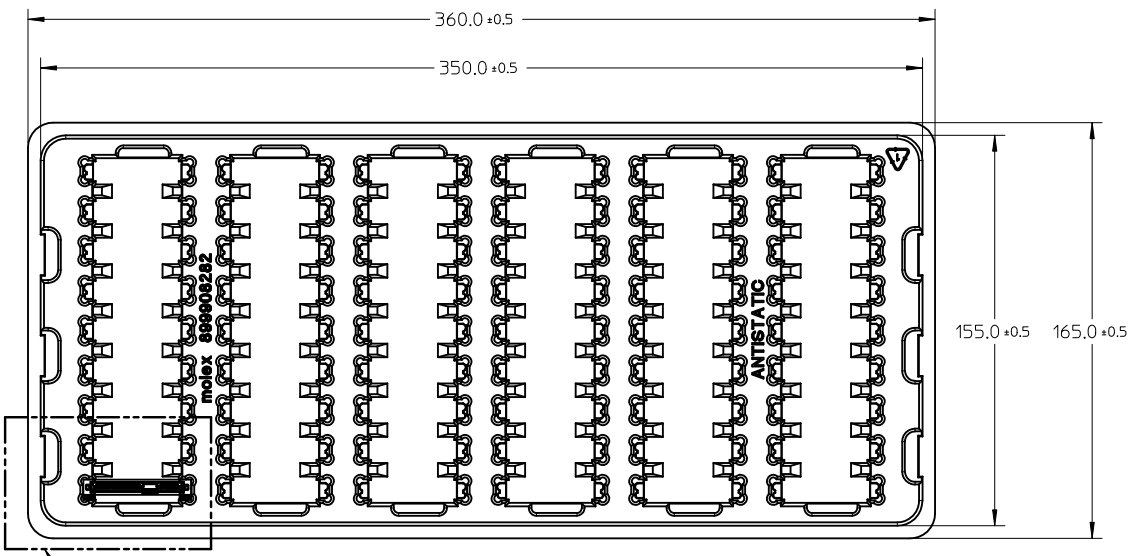
CHANGE TAPE WIDTH EC NO: S2010-0654 DRWN:WJAP CHKD:YKOH APPR:BOKOK	2010/02/03 2008/02/18 2010/02/20	DESCRIPTION F _A =0 F _C =0 F _P =0	QUALITY SYMBOLS		GENERAL TOLERANCES (UNLESS SPECIFIED)		DIMENSION STYLE		SCALE	DESIGN UNITS	THIRD ANGLE PROJECTION			
							MM ONLY		NTS					
									DRAWN BY		DATE		TITLE	
									BOKOK		2008/02/01		SAS RECEPTACLE EXTENDED HEIGHT, SMT WITH SOLDER TAB	
								CHECKED BY		DATE		MOLEX INCORPORATED		
								YKOH		2008/02/18				
								APPROVED BY		DATE		SD-78367-001		
								BOKOK		2010/02/19				
								MATERIAL NO.		DOCUMENT NO.		SHEET NO.		
								SEE TABLE				2 OF 5		
								SIZE		THIS DRAWING CONTAINS INFORMATION THAT IS PROPRIETARY TO MOLEX INCORPORATED AND SHOULD NOT BE USED WITHOUT WRITTEN PERMISSION				
								A3						



RECOMMENDED PCB LAYOUT

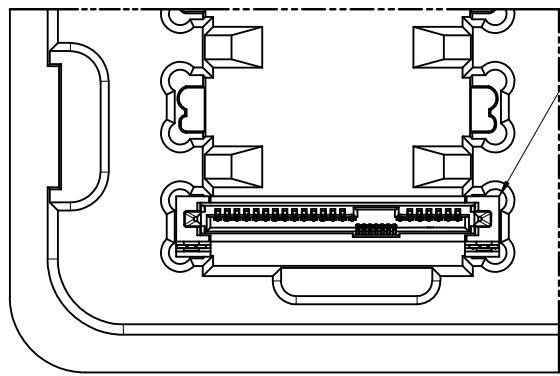
CHANGE TAPE WIDTH EC NO: S2010-0654 DRWN:WJAP 2010/02/03 CHKD:YKOH 2008/02/18 APPR:BOKOK 2010/02/20 REV:	QUALITY SYMBOLS $F_A=0$ $F_C=0$ $F_P=0$	GENERAL TOLERANCES (UNLESS SPECIFIED) mm INCH 4 PLACES ± --- ± --- 3 PLACES ± --- ± --- 2 PLACES ± 0.20 ± --- 1 PLACE ± --- ± --- ANGULAR ± 3 °	DIMENSION STYLE MM ONLY DRAWN BY: BOKOK DATE: 2008/02/01 CHECKED BY: YKOH DATE: 2008/02/18 APPROVED BY: BOKOK DATE: 2010/02/19	SCALE NTS DESIGN UNITS METRIC THIRD ANGLE PROJECTION	TITLE SAS RECEPTACLE EXTENDED HEIGHT, SMT WITH SOLDERTAB MOLEX INCORPORATED DOCUMENT NO. SD-78367-001 SHEET NO. 3 OF 5	
	DRAFT WHERE APPLICABLE MUST REMAIN WITHIN DIMENSIONS	MATERIAL NO. SEE TABLE	SIZE A3 THIS DRAWING CONTAINS INFORMATION THAT IS PROPRIETARY TO MOLEX INCORPORATED AND SHOULD NOT BE USED WITHOUT WRITTEN PERMISSION			

TRAY PACKAGING



- NOTES:
 1. PACKAGING QTY: 54PCS/TRAY
 2. NO PICK AND PLACE CAP

DETAIL 2

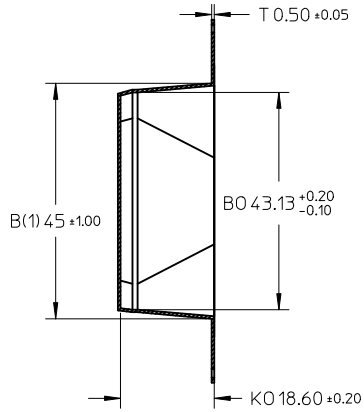


PART ORIENTATION IN TRAY

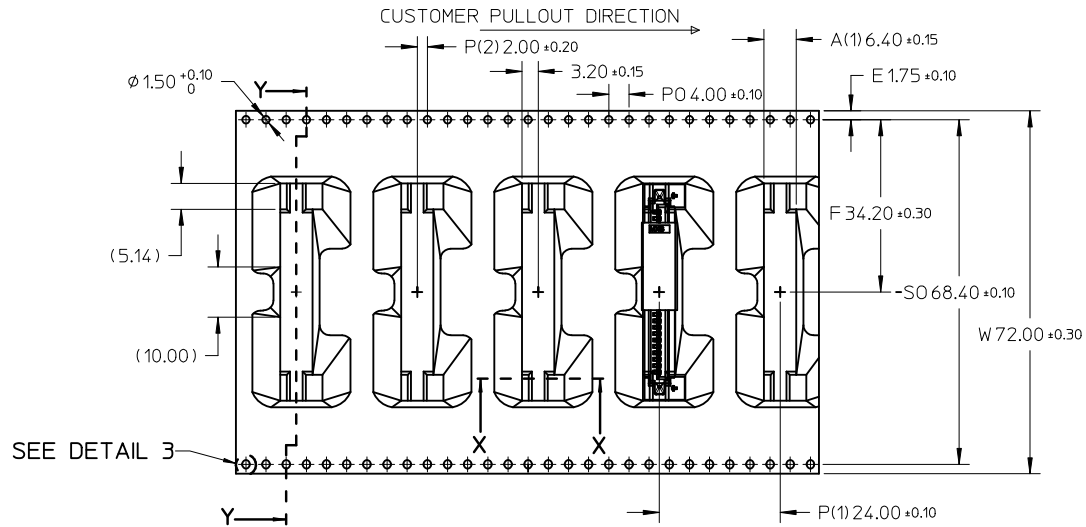
DETAIL 2

CHANGE TAPE WIDTH EC NO: S2010-0654 DRWN:WJAP 2010/02/03 CHKD:YKOH 2008/02/18 APPR:BOKOK 2010/02/20	QUALITY SYMBOLS F _A =0 F _C =0 F _P =0	GENERAL TOLERANCES (UNLESS SPECIFIED)		DIMENSION STYLE MM ONLY	SCALE NTS	DESIGN UNITS METRIC	THIRD ANGLE PROJECTION	
			mm	INCH	DRAWN BY BOKOK	DATE 2008/02/01	TITLE SAS RECEPTACLE EXTENDED HEIGHT, SMT WITH SOLDERTAB	
		4 PLACES	± ---	± ---	CHECKED BY YKOH	DATE 2008/02/18	MOLEX INCORPORATED	DOCUMENT NO. SD-78367-001
		3 PLACES	± ---	± ---	APPROVED BY BOKOK	DATE 2010/02/19		
2 PLACES	± 0.20	± ---	ANGULAR ± 3 °		MATERIAL NO. SEE TABLE	SHEET NO. 4 OF 5		
1 PLACE	± ---	± ---	DRAFT WHERE APPLICABLE MUST REMAIN WITHIN DIMENSIONS		THIS DRAWING CONTAINS INFORMATION THAT IS PROPRIETARY TO MOLEX INCORPORATED AND SHOULD NOT BE USED WITHOUT WRITTEN PERMISSION			

TAPE AND REEL PACKAGING



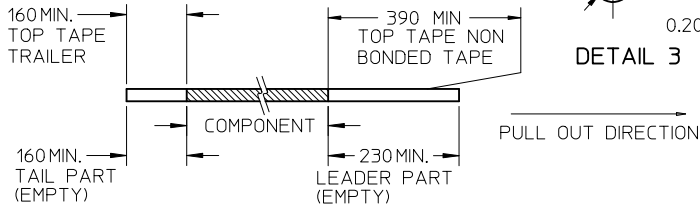
SECTION Y-Y



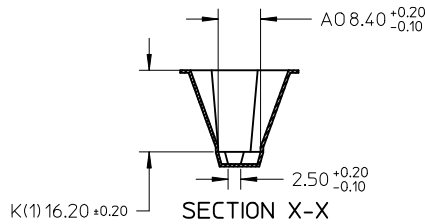
SEE DETAIL 3

NOTES:

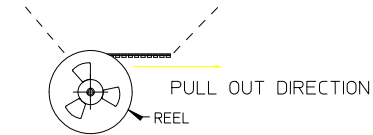
1. LEADER AND TRAILER TAPE



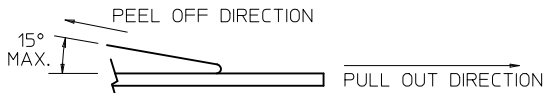
DETAIL 3



SECTION X-X



2. PEELING OFF FORCE OF THE TOP TAPE: 20 - 80gf. (PEELING DIRECTION AS SHOWN IN FOLLOWING FIGURE)



- 3. TAPE AND REEL SPECIFICATION IS AS PER EIA-481.
- 4. TAPE AND REEL QUANTITY : 100 PCS/ REEL.
- 5. THE TAPE IS TREATED FOR ANTI-STATIC.
- 6. COLOUR: BLACK. THICKNESS: 0.50mm THICK.

CHANGE TAPE WIDTH EC NO: S2010-0654 DRWN:WJAP CHKD:YKOH APPR:BOKOK	DESCRIPTION 2010/02/03 2008/02/18 2010/02/20	QUALITY SYMBOLS	GENERAL TOLERANCES (UNLESS SPECIFIED)		DIMENSION STYLE	SCALE	DESIGN UNITS	THIRD ANGLE PROJECTION	
		▽ _A =0 ▽ _C =0 ▽ _P =0	mm	INCH	MM ONLY	NTS	METRIC	⊙ □	
			4 PLACES ± --- ± ---	DRAWN BY	DATE	TITLE	SAS RECEPTACLE EXTENDED HEIGHT, SMT WITH SOLDER TAB		
			3 PLACES ± --- ± ---	BOKOK	2008/02/01				
	2 PLACES ± 0.20 ± ---	CHECKED BY	DATE		MOLEX INCORPORATED				
	1 PLACE ± --- ± ---	YKOH	2008/02/18						
	ANGULAR ± 3 °	APPROVED BY	DATE		MATERIAL NO.	DOCUMENT NO.	SHEET NO.		
		BOKOK	2010/02/19		SEE TABLE	SD-78367-001	5 OF 5		
		DRAFT WHERE APPLICABLE MUST REMAIN WITHIN DIMENSIONS							
		SIZE	THIS DRAWING CONTAINS INFORMATION THAT IS PROPRIETARY TO MOLEX INCORPORATED AND SHOULD NOT BE USED WITHOUT WRITTEN PERMISSION						
A3	REV								