

Data Sheet

October 6, 2005

Document: DS06-005 ver. 0.4

PDF Name: JHW250S30R2_ds.pdf



JHW250S30R2 Power Modules; dc-dc Converter

36-75 Vdc Input; 30.2Vdc Output; 250W



RoHS Compliant

Applications

- Distributed power architectures
- Wireless Networks
- RF Amplifier

Options

- Positive Remote On/Off logic
- Auto restart after fault shutdown

Description

The JHW250-series dc-dc converters are a new generation of DC/DC power modules designed for maximum efficiency and power density. The JHW series provide up to 250W output power in an industry standard Half-brick, which makes it an ideal choice for high voltage and high power applications. The converter incorporates synchronous rectification technology and innovative packaging techniques to achieve ultra high efficiency typically 92% at 30.2V with full load. The 5-sided encapsulated case package allows for excellent thermal performance in strict thermal environment. Threaded or non-threaded-through holes are provided to allow easy mounting to a cold wall or addition of a heatsink for high-temperature applications. The JHW250 series power modules are isolated dc-dc converters that operate over a wide input voltage range of 36 to 75 Vdc and provide single precisely regulated output. The output is fully isolated from the input, allowing versatile polarity configurations and grounding connections. Built-in filtering for both input and output minimizes the need for external filtering.

Features

- High efficiency – 92% at 30.2V full load
- Industry standard pin-out
- Improved Thermal Performance: Full output power with case temperature (T_c) of 85°C
- High power density: 91 W/in³
- Low output ripple and noise
- Industry standard Half brick: 57.9 mm x 61.0 mm x 12.7 mm (2.28 in x 2.4 in x 0.5 in)
- Single tightly regulated output
- Remote sense
- 2:1 input voltage range
- Constant switching frequency
- Negative Remote On/Off logic
- Output over current/voltage protection
- Overtemperature protection
- Output voltage adjustment
- Wide operating temperature range (-40°C to 85°C)
- ISO** 9001 certified manufacturing facilities
- *UL60950-1* Recognized, *CSA*[†] C22.2 No. 60950-1-03 Certified, and EN 60950-1 (*VDE*[‡] 0805): 2001-12 Licensed (Pending)
- CE mark meets 73/23/EEC and 93/68/EEC directives[§] (JHW series only) (Pending)

* *UL* is a registered trademark of Underwriters Laboratories, Inc.

† *CSA* is a registered trademark of Canadian Standards Association.

‡ *VDE* is a trademark of Verband Deutscher Elektrotechniker e.V.

§ This product is intended for integration into end-user equipment. All the required procedures for CE marking of end-user equipment should be followed. (The CE mark is placed on selected products.)

** *ISO* is a registered trademark of the International Organization of Standards

Absolute Maximum Ratings

Stresses in excess of the absolute maximum ratings can cause permanent damage to the device. These are absolute stress ratings only, functional operation of the device is not implied at these or any other conditions in excess of those given in the operations sections of the data sheet. Exposure to absolute maximum ratings for extended periods can adversely affect the device reliability.

Parameter	Device	Symbol	Min	Max	Unit
Input Voltage					
Continuous	JHW	V_{IN}	-0.3	80	Vdc
Transient (100ms)	JHW	$V_{IN,trans}$	-0.3	100	Vdc
Operating Ambient Temperature (Case) (See Thermal Considerations section)	All	T_c	-40	100	°C
Storage Temperature	All	T_{stg}	-55	125	°C
I/O Isolation Voltage	All	—	—	1500	Vdc

Electrical Specifications

Unless otherwise indicated, specifications apply over all operating input voltage, resistive load, and temperature conditions.

Parameter	Device	Symbol	Min	Typ	Max	Unit
Operating Input Voltage	JHW	V_{IN}	36	48	75	Vdc
Maximum Input Current ($V_{IN}=0V$ to 36V, $I_O=I_{O,max}$)/($V_{IN}=0V$ to 75V, $I_O=I_{O,max}$)	JHW	$I_{IN,max}$			9.0	Adc
Inrush Transient	All	I^2t			2	A ² s
Input Reflected Ripple Current, peak-to-peak (5Hz to 20MHz, 12µH source impedance; $V_{IN}=0V$ to 75V, $I_O=I_{O,max}$; see Figure 13)	All			7	15	mAp-p
Input Ripple Rejection (120Hz)	All			60		dB

Fusing Considerations

CAUTION: This power module is not internally fused. An input line fuse must always be used.

This power module can be used in a wide variety of applications, ranging from simple standalone operation to an integrated part of a sophisticated power architecture. To preserve maximum flexibility, internal fusing is not included, however, to achieve maximum safety and system protection, always use an input line fuse. The safety agencies require a fast-acting fuse with a maximum rating of 15A for JHW250 series (see Safety Considerations section). Based on the information provided in this data sheet on inrush energy and maximum dc input current, the same type of fuse with a lower rating can be used. Refer to the fuse manufacturer's data sheet for further information.

Electrical Specifications (continued)

Parameter	Device	Symbol	Min	Typ	Max	Unit
Output Voltage Set-point ($V_{IN}=V_{IN,nom}$, $I_O=I_{O,max}$, $T_c=25^\circ\text{C}$)	All	$V_{O,set}$	29.89	30.20	30.50	V _{dc}
Output Voltage (Over all operating input voltage, resistive load, and temperature conditions until end of life)	All	V_O	29.40	—	31.00	V _{dc}
Output Regulation						
Line ($V_{IN}=V_{IN,min}$ to $V_{IN,max}$)	All		—	0.02	0.1	%V _o
Load ($I_O=I_{O,min}$ to $I_{O,max}$)	All		—	0.05	0.2	%V _o
Temperature ($T_c = -40^\circ\text{C}$ to $+100^\circ\text{C}$)	All		—	100	320	mV
Output Ripple and Noise on nominal output ($V_{IN}=V_{IN,nom}$ and $I_O=I_{O,min}$ to $I_{O,max}$, $C_O=C_{O,min}$)						
RMS (5Hz to 20MHz bandwidth)	All		—	27	40	mV _{rms}
Peak-to-Peak (5Hz to 20MHz bandwidth)	All		—	45	150	mV _{pk-pk}
External Capacitance (type electrolytic)	All	$C_{O,max}$	1000	—	3600	μF
Output Current	All	I_o	0		8.3	Adc
Output Current Limit Inception	All	$I_{o,lim}$	—	10.0	—	Adc
Hiccup current limit ($V_o < 30\%$ of $V_{O,set}$)	All	$I_{o,hic}$	—	12.8	—	Adc
Average Output Short-Circuit Current ($V_o \leq 250\text{mV}$ and Hiccup mode)	All	$I_{o,s/c}$	—	—	10	% $I_{O,max}$
Efficiency $V_{IN}=V_{IN,nom}$, $T_c=25^\circ\text{C}$ $I_O=I_{O,max}$, $V_O=V_{O,set}$	All	η	—	92.0	—	%
Switching Frequency	All	f_{sw}	—	350	—	kHz
Dynamic Load Response ($\Delta I_o/\Delta t=5\text{A}/10\mu\text{s}$; $V_{in}=V_{in,nom}$; $T_c=25^\circ\text{C}$; Tested with a 2100μF aluminum and a 1.0 μF tantalum capacitor across the load.)						
Load Change from $I_o=1\text{A}$ to 8.3A : Peak Deviation	All	V_{pk}	—	400	—	mV
Settling Time ($V_o < 10\%$ peak deviation)	All	t_s	—	1000	—	μs
Load Change from $I_o=8.3\text{A}$ to 1A : Peak Deviation	All	V_{pk}	—	400	—	mV
Settling Time ($V_o < 10\%$ peak deviation)	All	t_s	—	1000	—	μs

Isolation Specifications

Parameter	Symbol	Min	Typ	Max	Unit
Isolation Capacitance	C_{iso}	—	440	—	pF
Isolation Resistance	R_{iso}	10	—	—	MΩ

General Specifications

Parameter	Device	Min	Typ	Max	Unit
Calculated MTBF ($V_{IN, nom}$, $I_O=80\%$ of $I_{O, max}$, $T_c=40^\circ\text{C}$)	All	tdb			Hours
Weight		—	112 (3.95)	—	g (oz.)

Feature Specifications

Unless otherwise indicated, specifications apply over all operating input voltage, resistive load, and temperature conditions. See Feature Descriptions for additional information.

Parameter	Device	Symbol	Min	Typ	Max	Unit
Remote On/Off Signal Interface ($V_{IN}=V_{IN, min}$ to $V_{IN, max}$: open collector or equivalent, Signal referenced to V_{IN-} terminal) Negative Logic: device code suffix "1" Logic Low = module On, Logic High = module Off Positive Logic: No device code suffix required Logic Low = module Off, Logic High = module On Logic Low Specification Remote On/Off Current – Logic Low	All	$I_{on/off}$	—	50		μA
On/Off Voltage: Logic Low	All	$V_{on/off}$	0.0	—	0.8	V
Logic High – (Typ = Open Collector)	All	$V_{on/off}$	—	—	5	V
Max allowable On/Off pin voltage (driven)	All	$V_{on/off}$			12	V
Logic High maximum allowable leakage current	All	$I_{on/off}$	—	—	10	μA
Turn-On Delay and Rise Times ($I_O=I_{O, max}$) T_{delay} = Time until $V_O = 10\%$ of $V_{O, set}$ from either application of V_{in} with Remote On/Off set to On or operation of Remote On/Off from Off to On with V_{in} already applied for at least one second. T_{rise} = time for V_O to rise from 10% of $V_{O, set}$ to 90% of $V_{O, set}$.	All	T_{delay}	—	3	—	ms
	All	T_{rise}	—	20	—	ms
Output Voltage Adjustment (See Feature Descriptions) Output Voltage Set-point Adjustment Range (trim)	All	V_{trim}	24		31	V
Output Voltage Remote-sense Range (See Feature Descriptions)	All	V_{sense}	—	—	1.0	V
Output Overvoltage Protection - Latching	All	$V_{O, limit}$	33	34.8	38	V
Overtemperature Protection - Latching (See Feature Descriptions)	All	T_{ref}	—	110	—	$^{\circ}C$
Input Undervoltage Lockout		$V_{IN, UVLO}$				
Turn-on Threshold	All		34.5	35	35.5	V
Turn-off Threshold	All		32.5	33.0	33.5	V
Hysteresis	All		---	2.0	---	V

Characteristic Curves

The following figures provide typical characteristics for the JHW250S30R21-18T (30.2V, 8.3A) at 25°C. The figures show negative Remote On/Off logic version.

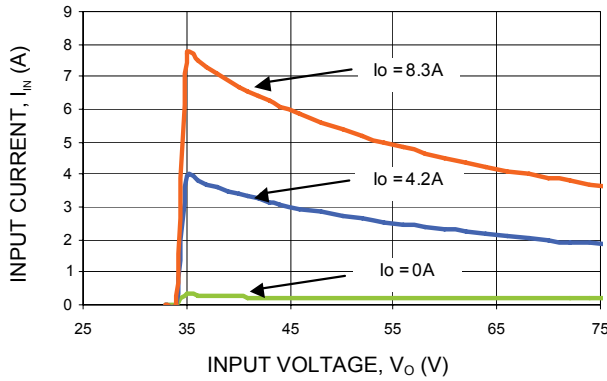


Figure 1. Typical Input Characteristic at Room Temperature

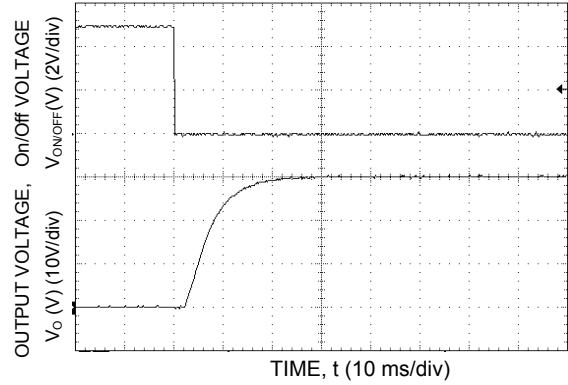


Figure 4. Typical Start-Up Using Remote On/Off, negative logic, $C_{o,ext} = 14 \times 150 \mu F$

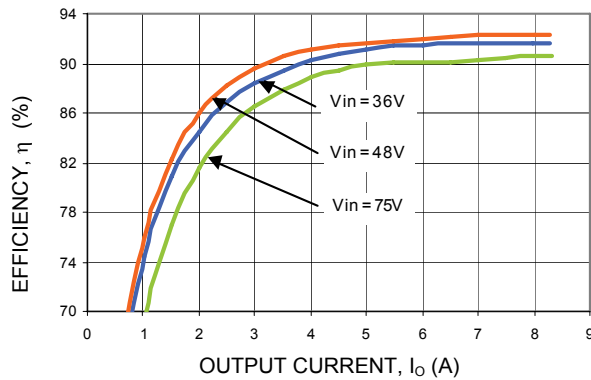


Figure 2. Typical Converter Efficiency Vs. Output current at Room Temperature

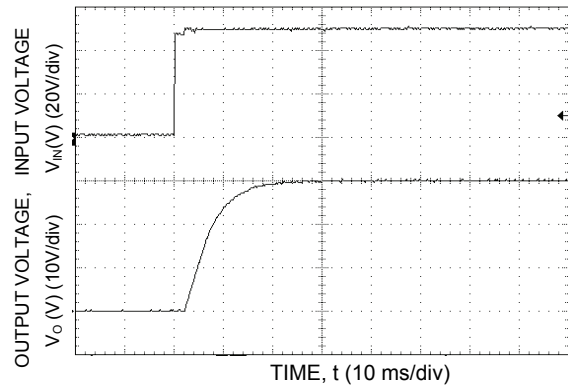


Figure 5. Typical Start-Up With Application of V_{in} , $C_{o,ext} = 14 \times 150 \mu F$, Remote On/Off = On.

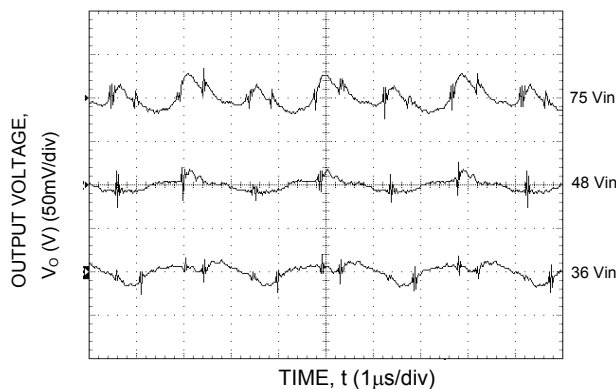


Figure 3. Typical Output Ripple and Noise at Room Temperature, $I_o = I_{o,max}$, $C_{o,ext} = C_{o,min} = 1000 \mu F$

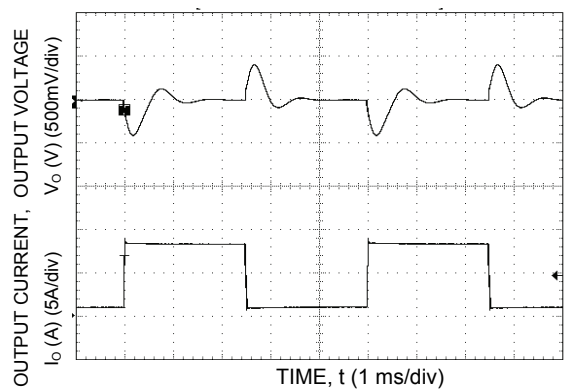
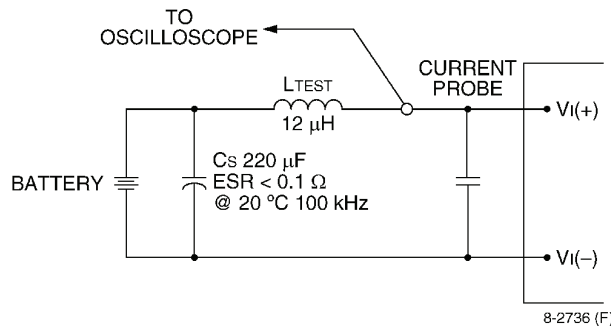


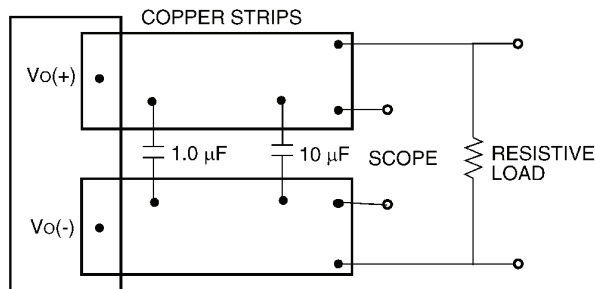
Figure 6. Typical Transient Response to a Load Change from 1A to 8.3A at 5A/10µs, Room Temperature, $C_{o,ext} = 14 \times 150 \mu F$

Test Configurations



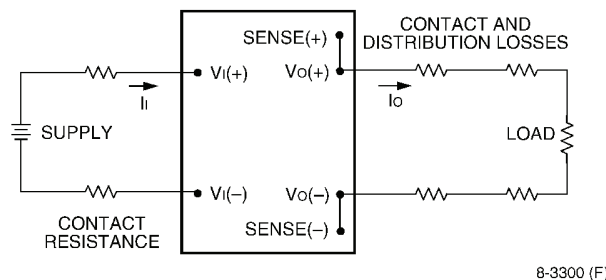
Note: Measure input reflected-ripple current with a simulated source inductance (LTEST) of 12 μH. Capacitor CS offsets possible battery impedance. Measure current as shown above.

Figure 13. Input Reflected Ripple Current Test Setup



Note: Use a 1.0 μF ceramic capacitor and a 1000μF aluminum or tantalum capacitor. Scope measurement should be made using a BNC socket. Position the load between 51 mm and 76 mm (2 in. and 3 in.) from the module.

Figure 14. Output Ripple and Noise Test Setup



Note: All measurements are taken at the module terminals. When socketing, place Kelvin connections at module terminals to avoid measurement errors due to socket contact resistance.

$$\eta = \left(\frac{[V_O(+)-V_O(-)]I_O}{[V_I(+)-V_I(-)]I_I} \right) \times 100 \%$$

Figure 15. Output Voltage and Efficiency Test Setup

Design Considerations

Input Source Impedance

The power module should be connected to a low ac-impedance source. Highly inductive source impedance can affect the stability of the power module. For the test configuration in Figure 13, a 200μF electrolytic capacitor (ESR<0.7Ω at 100kHz), mounted close to the power module helps ensure the stability of the unit. Consult the factory for further application guidelines.

Output Capacitance

Output capacitance and load impedance interact with the power module's output voltage regulation control system and may produce an 'unstable' output condition for the required values of capacitance and E.S.R. Minimum and maximum values of output capacitance and of the capacitor's associated E.S.R. may be dictated, depending on the module's control system. This series power module requires minimum of 1000μF output capacitance placed near output pins to ensure stable operation in full range of load/line conditions.

The process of determining the acceptable values of capacitance and E.S.R. is complex and is load-dependant. Tyco provides Web-based tools to assist the power module end-user in appraising and adjusting the effect of various load conditions and output capacitances on specific power modules for various load conditions.

Safety Considerations

All Versions - For safety-agency approval of the system in which the power module is used, the power module must be installed in compliance with the spacing and separation requirements of the end-use safety agency standard, i.e., UL60950, CSA C22.2 No. 60950-00, and EN 60950 (VDE 0805):2001-12.

"W" Versions only - For end products connected to -48V dc, or -60Vdc nominal DC MAINS (i.e. central office dc battery plant), no further fault testing is required. *Note: - 60V dc nominal battery plants are not available in the U.S. or Canada.

All Versions - For all input voltages, other than DC MAINS, where the input voltage is less than 60V dc, if the input meets all of the requirements for SELV, then:

- The output may be considered SELV. Output voltages will remain within SELV limits even with internally-generated non-SELV voltages. Single component failure and fault tests were performed in the power converters.

- One pole of the input and one pole of the output are to be grounded, or both circuits are to be kept floating, to maintain the output voltage to ground voltage within ELV or SELV limits.

“W” Versions only - For all input sources, other than DC MAINS, where the input voltage is between 60 and 75V dc (Classified as TNV-2 in Europe), the following must be met, if the converter’s output is to be evaluated for SELV:

- The input source is to be provided with reinforced insulation from any hazardous voltage, including the ac mains.
- One Vi pin and one Vo pin are to be reliably earthed, or both the input and output pins are to be kept floating.
- Another SELV reliability test is conducted on the whole system, as required by the safety agencies, on the combination of supply source and the subject module to verify that under a single fault, hazardous voltages do not appear at the module’s output.

All Versions - The power module has ELV (extra-low voltage) outputs when all inputs are ELV.

All flammable materials used in the manufacturing of these modules are rated 94V-0.

The input to these units is to be provided with a maximum 15A, (JHW250 series) fast-acting fuse in the unearthed lead.

Feature Descriptions

Overcurrent Protection – Auto-Restart

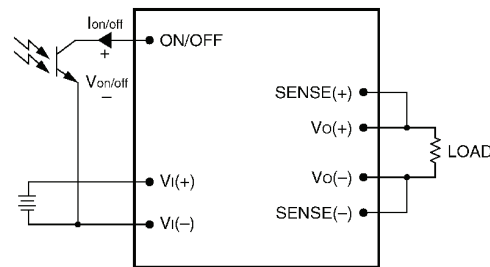
To provide protection in a fault output overload condition, the module is equipped with internal current-limiting circuitry. As the load current is increased beyond its limit, the module will start to fold back its output voltage hence limiting output power. In the event of a severe overload where the output voltage is pulled lower than approximately 21V the module will enter hiccup mode to further reduce the power dissipation of the module. The module can survive a continuous short circuit. Once the overload has been removed the module will auto-restart and normal operation will resume.

Remote On/Off

Two remote on/off options are available. Positive logic remote on/off turns the module on during a logic-high voltage on the ON/OFF pin, and off during a logic low. Negative logic remote on/off turns the module off during a logic high and on during a logic low. Negative logic, device code suffix "1," is the factory-preferred configuration. To turn the power module on and off, the user must supply a switch to control the voltage between the on/off terminal (Von/off) and the Vi (-) terminal. The switch can be an open collector or equivalent (see Figure 16). A logic low is Von/off = 0 V to 0.8 V. The maximum Ion/off during a logic low is 50 µA. The switch should maintain a logic-low voltage while sinking this 50 µA. During logic high, the maximum Von/off generated by the power module is 5 V. The maximum allowable leakage current of the switch at Von/off = 5V is 10 µA. If not using the remote on/off feature, perform one of the following to turn the unit on:

For negative logic, short ON/OFF pin to ViN(-).

For positive logic: leave ON/OFF pin open.



8-720c

Figure 16. Remote On/Off Implementation

Remote sense

Remote sense minimizes the effects of distribution losses by regulating the voltage at the remote-sense connections. The voltage between the remote-sense pins and the output terminals must not exceed the output voltage sense range given in the Feature Specifications table i.e.:

$$[Vo(+)-Vo(-)]-[SENSE(+)-SENSE(-)] \leq X\% \text{ of } V_{o,nom}$$

If not using the remote-sense feature to regulate the output at the point of load, then connect SENSE(+) to Vo(+) and SENSE(-) to Vo(-) at the module.

Although the output voltage can be increased by both the remote sense and by the trim, the maximum increase for the output voltage is not the sum of both. The maximum increase is the larger of either the remote sense or the trim. The amount of power delivered by the module is defined as the voltage at the output terminals multiplied by the output current. When using remote sense and trim: the output voltage of the module can be increased, which at the same output current would increase the power output of the module. Care should be

taken to ensure that the maximum output power of the module remains at or below the maximum rated power.

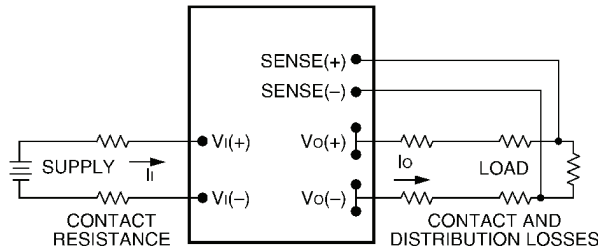


Figure 17. Effective Circuit Configuration for Single-Module Remote-Sense Operation Output Voltage

Output Voltage Set-Point Adjustment (Trim)

Trimming allows the user to increase or decrease the output voltage set point of a module. This is accomplished by connecting an external resistor between the TRIM pin and either the SENSE(+) or SENSE(-) pins. The trim resistor should be positioned close to the module.

If not using the trim feature, leave the TRIM pin open.

With an external resistor between the TRIM and SENSE(-) pins (R_{adj-down}), the output voltage set point (V_{o,adj}) decreases (see Figure 18). The following equation determines the required external-resistor value to obtain a desired output voltage.

Trim down for output voltages: 30.2V

$$R_{adj-down} = 10 \times \frac{[(2 \times V_o) - 30.2]}{(30.2 - V_o)} K\Omega$$

Where,

V_o = Desired output voltage set point (V).

With an external resistor connected between the TRIM and SENSE(+) pins (R_{adj-up}), the output voltage set point (V_{o,adj}) increases (see Figure 19).

The following equation determines the required external-resistor value to obtain a desired output voltage.

Trim up for output voltages: 30.2V

$$R_{adj-up} = \left[9.5944 \times \left(\frac{V_o}{(0.04056 \times V_o) - 1.225} \right) \right] - 10 K\Omega$$

Where,

V_o = Desired output voltage set point (V).

The voltage between the Vo(+) and Vo(-) terminals must not exceed the minimum output overvoltage shut-down value indicated in the Feature Specifications table. This limit includes any increase in voltage due to remote-sense compensation and output voltage set-point adjustment (trim). See Figure 17.

Although the output voltage can be increased by both the remote sense and by the trim, the maximum increase for the output voltage is not the sum of both. The maximum increase is the larger of either the remote sense or the trim.

The amount of power delivered by the module is defined as the voltage at the output terminals multiplied by the output current. When using remote sense and trim, the output voltage of the module can be increased, which at the same output current would increase the power output of the module. Care should be taken to ensure that the maximum output power of the module remains at or below the maximum rated power.

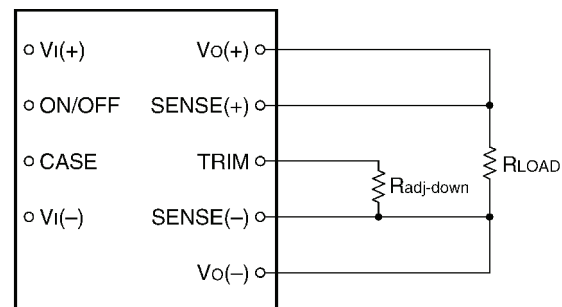


Figure 18. Circuit Configuration to Decrease Output Voltage

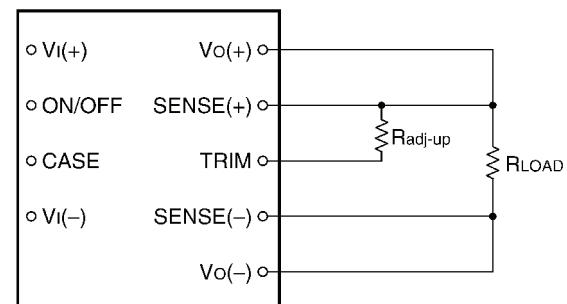


Figure 19. Circuit Configuration to Increase Output Voltage

8-715 (F).b

Trim Examples:

To trim down the output of a nominal 30.2V module (JHW250S30R2) to 28.0V

$$R_{adj-down} = 10 \times \frac{[(2 \times 28) - 30.2]}{(30.2 - 28)} K\Omega$$

$$R_{adj-down} = 117.27 K\Omega$$

To trim up the output of a nominal 30.2V module (JHW250S30R2) to 31.0V

$$R_{adj-up} = \left[9.5944 \times \left(\frac{31.0}{(0.04056 \times 31.0) - 1.225} \right) \right] - 10 K\Omega$$

$$R_{adj-up} = 9181 K\Omega$$

Output Overvoltage Protection - Latching

The output overvoltage protection consists of circuitry that monitors the voltage on the output terminals. If the voltage on the output terminals exceeds the over voltage protection threshold, then the module will shutdown and latch off. The latch is reset by either cycling the input power for one second or by toggling the on/off signal for one second. The protection mechanism is such that the unit can continue in this condition until the fault is cleared.

Overtemperature Protection - Latching

These modules feature an overtemperature protection circuit to safeguard against thermal damage. The circuit shuts down and latches off the module when the maximum baseplate reference temperature is exceeded. The latch is reset by either cycling the input power for one second or by toggling the on/off signal for one second. The protection mechanism is such that the unit can continue in this condition until the fault is cleared.

Input Undervoltage Lockout

At input voltages below the input undervoltage lockout limit, the module operation is disabled. The module will begin to operate at an input voltage above the undervoltage lockout turn-on threshold.

Feature Descriptions (continued)

Thermal Considerations

The power modules operate in a variety of thermal environments; however, sufficient cooling should be provided to help ensure reliable operation of the unit. Heat-dissipating components inside the unit are thermally coupled to the metal case. Heat is removed by conduction, convection, and radiation to the surrounding environment. Proper cooling can be verified by measuring the case temperature. Peak temperature (T_c) occurs at the position indicated in Figure 20.

Considerations include ambient temperature, airflow, module power dissipation, and the need for increased reliability. A reduction in the operating temperature of the module will result in an increase in reliability. The thermal data presented here is based on physical measurements taken in a wind tunnel.

For reliable operation please refer to the power derating guidelines shown in figure 21. Under no circumstances should the absolute maximum temperature at this point exceed the 100°C threshold.

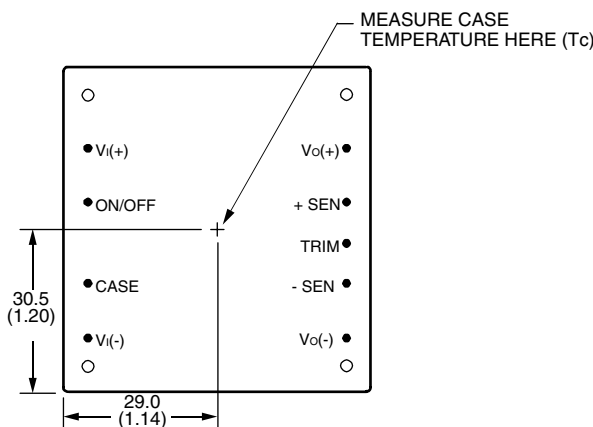


Figure 20. Metal Case (T_c) Temperature Measurement Location (top view)

Although the maximum T_c temperature of the power modules is 100°C, you can limit this temperature to a lower value for extremely high reliability.

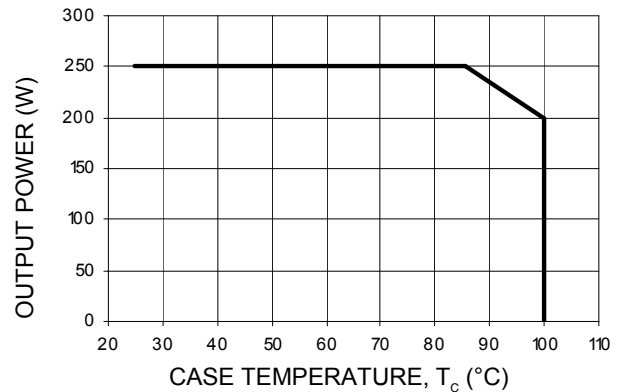


Figure 21. Output Power Derating for JHW250S30R2 ($V_o = 30.2V$) vs Case Temperature

Layout Considerations

The JHW250 power module series are encapsulated aluminum case packaged style, as such; component clearance between the bottom of the power module and the mounting (Host) board is limited. Avoid placing copper areas on the outer layer directly underneath the power module. Also avoid placing via interconnects underneath the power module.

For additional layout guide-lines, refer to FLTR100V20 data sheet.

Post Solder Cleaning and Drying Considerations

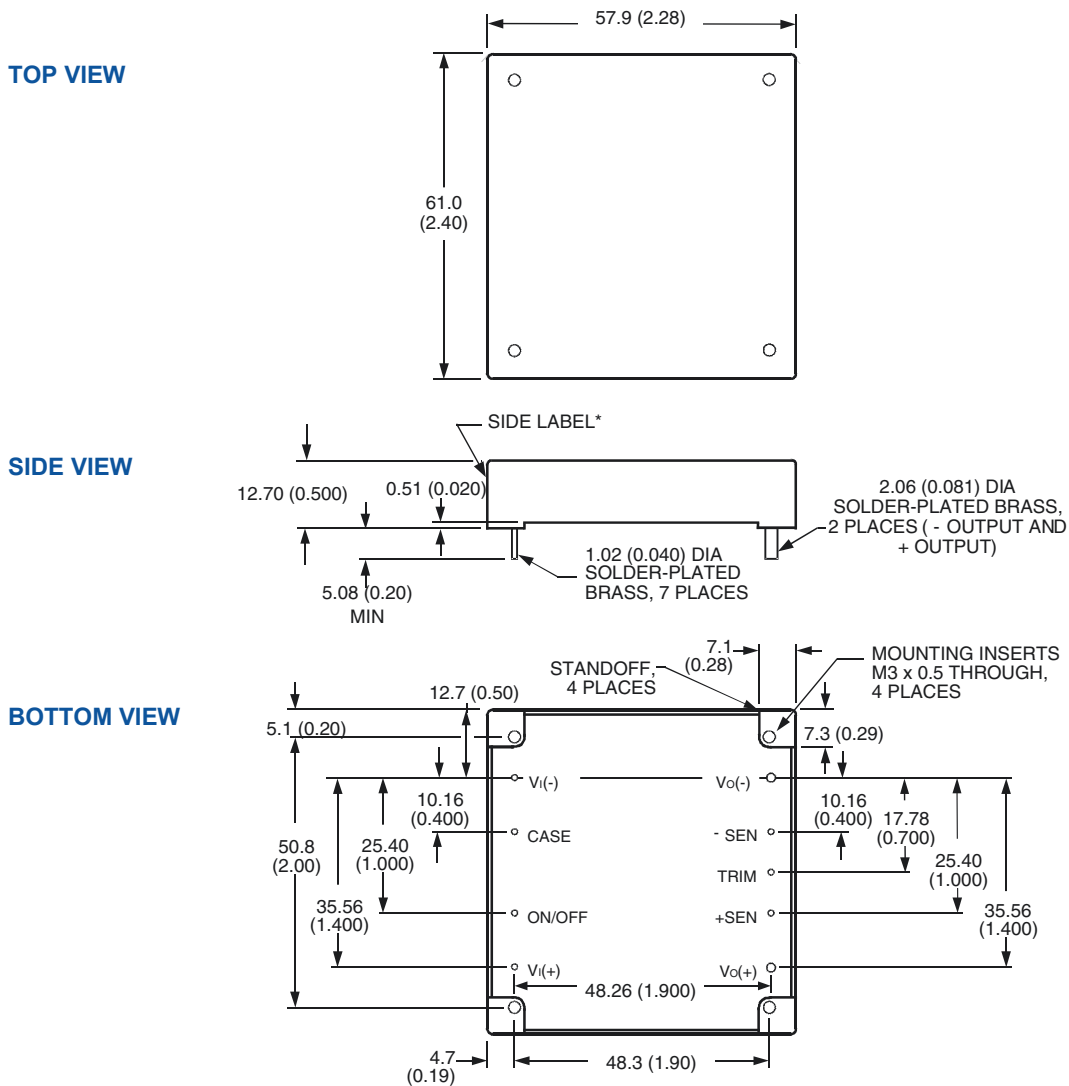
Post solder cleaning is usually the final circuit-board assembly process prior to electrical board testing. The result of inadequate cleaning and drying can affect both the reliability of a power module and the testability of the finished circuit-board assembly. For guidance on appropriate soldering, cleaning and drying procedures, refer to Tyco Electronics *Board Mounted Power Modules: Soldering and Cleaning Application Note* (AP01-056EPS).

Mechanical Outline for Through-hole Module

Dimensions are in millimeters and (inches).

Tolerances: x.x mm ± 0.5 mm (x.xx in. ± 0.02 in.) [unless otherwise indicated]

x.xx mm ± 0.25 mm (x.xxx in ± 0.010 in.)



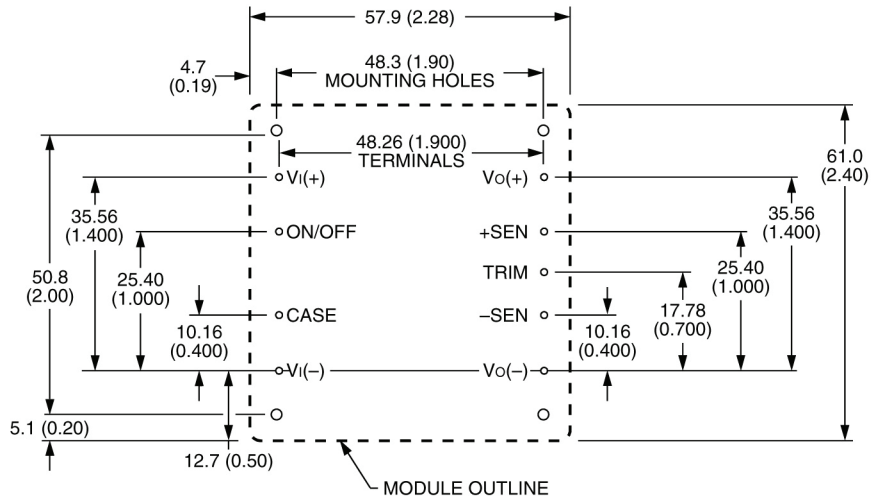
*Side label includes Tyco name, product designation, and data code.
 Option Feature, Pin is not present unless one these options specified

Recommended Pad Layout for Through-Hole Modules

Dimensions are in millimeters and (inches).

Tolerances: x.x mm ± 0.5 mm (x.xx in. ± 0.02 in.) [unless otherwise indicated]

x.xx mm ± 0.25 mm (x.xxx in ± 0.010 in.)



Ordering Information

Please contact your Tyco Electronics' Sales Representative for pricing, availability and optional features.

Table 1. Device Codes

Input Voltage	Output Voltage	Output Current	Efficiency	Connector Type	Product codes	Comcodes
48V (36-75Vdc)	30.2V	8.3A	92%	Through hole	JHW250S30R21-18T	108995965
48V (36-75Vdc)	30.2V	8.3A	92%	Through hole	JHW250S30R21-18TZ	CC109114014

Table 2. Device Options

Option	Suffix
Negative remote on/off logic	1
Unthreaded heatsink mounting holes	18

Document: DS06-005 ver. 0.4
PDF Name: JHW250S30R2_ds.pdf



World Wide Headquarters
Tyco Electronics Power Systems, Inc.
3000 Skyline Drive, Mesquite, TX 75149, USA
+1-800-843-7497
(Outside U.S.A.: +1-972-284-2626)
www.power.tycoelectronics.com
e-mail: techsupport1@tycoelectronics.com

Europe, Middle-East and Africa Headquarters
Tyco Electronics (UK) Ltd
Tel: +44 (0) 1344 469 300

Latin America, Brazil, Caribbean Headquarters
Tyco Electronics Power Systems
Tel: +56 2 209 8211

India Headquarters
Tyco Electronics Systems India Pte. Ltd.
Tel: +91 80 841 1633 x3001

Asia-Pacific Headquarters
Tyco Electronics Singapore Pte. Ltd.
Tel: +65 6416 4283

Tyco Electronics Corporation reserves the right to make changes to the product(s) or information contained herein without notice. No liability is assumed as a result of their use or application. No rights under any patent accompany the sale of any such product(s) or information.

© 2003 Tyco Electronics Power Systems, Inc., (Mesquite, Texas) All International Rights Reserved.

Document: DS06-005 ver. 0.4
PDF Name: JHW250S30R2_ds.pdf