



## Applications

- Cellular and PCS Antenna-Remoting
- Microwave Delay-Lines
- Frequency Distribution Systems
- Radar System Calibration
- Phased Array Antenna Systems

## Features

- Integrated high frequency photodiode and bias control circuitry into a connectorized package
- 0.05 – 3 GHz bandwidth
- Wavelength operation covers both 1310 nm and 1550 nm optical bands
- Photocurrent monitoring circuit
- Ruggedized for operation in military or other harsh environments

# Small Integrated Receiver Unit SIRU2300

0.05 – 3 GHz

The Emcore Small Integrated Receiver Unit (SIRU2300) is a high-performance optical receiver with guaranteed performance over the 50 MHz to 3 GHz frequency band. The SIRU2300 is a fully integrated unit that contains both the high frequency photodiode and the control electronics. Only DC input voltage and the optical input signal are required for operation.

The unit can be used to construct transparent optical links for antenna remoting, microwave delay lines and other applications where it is necessary to transport RF and microwave signals over long distances without signal degradation.

The SIRU2300 is an ideal receiver to use with Emcore's high-performance directly modulated fiber optic transmitters.

## Specifications

### Electrical

Frequency Range	0.05 to 3 GHz
Electrical Power Requirements	+15 V @ 60 mA max
Photodiode Monitor Output	1 V/mA
RF Connector	SMA (female)
RF Output Impedance	50 $\Omega$

### Optical

Wavelength	1300 – 1600 nm
Connectors	FC/APC
Max Optical Output Power (Operational)	+ 10 dBm maximum
Responsivity	>0.85 A/W @ 1310 nm >0.95 A/W @ 1550 nm

### Physical

Dimensions	1.0" H x 3.0" W x 4.0" D
Operating/Storage Temperature	-40 °C to +70 °C

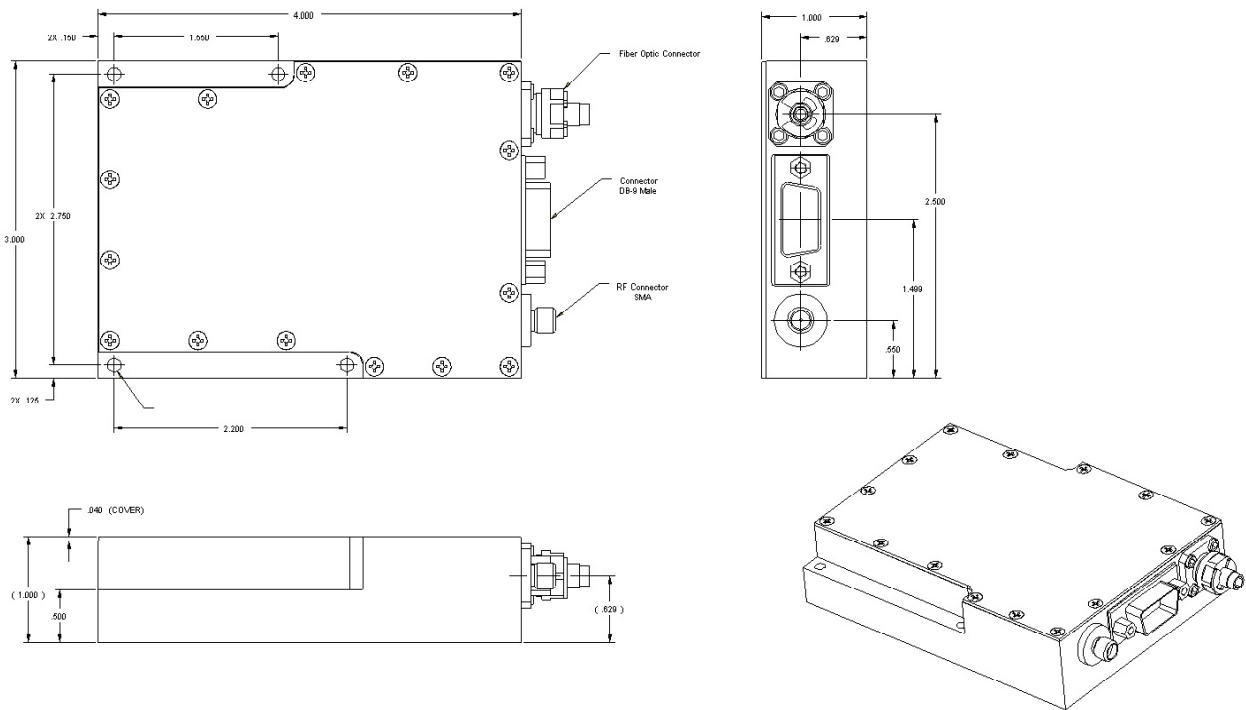
**For more information on this and other products:**

Contact Sales at Emcore 626-293-3400, or visit [www.emcore.com](http://www.emcore.com).

## Ordering Information

SIRU-2300

## Package Outline Drawing



## D-Connector Pin Out

1	+15 V
2	n/c
3	n/c
4	GND
5	n/c
6	Photodiode Monitor
7	n/c
8	n/c
9	n/c

Information contained herein is deemed to be reliable and accurate as of issue date. EMCORE reserves the right to change the design or specifications of the product at any time without notice. Ortel, the Ortel logo, EMCORE, and the EMCORE logo are trademarks of EMCORE Corporation.

### EMCORE

2015 Chestnut Street  
Alhambra, California 91803-1542  
Tel: 626-293-3400  
Fax: 626-293-3428  
[www.emcore.com](http://www.emcore.com)

*For more information on this and other products:*

Contact Sales at Emcore 626-293-3400 or visit [www.emcore.com](http://www.emcore.com)



© Copyright 2011, Emcore Corporation