

PLEASE CHECK WWW.MOLEX.COM FOR LATEST PART INFORMATION

Part Number: **0503227612**
Status: **Active**
Description: Spade Tongue Terminal for 16-22 AWG, Closed Uninsulated Brazed Barrel, Stud Size 8 (M4), Oxygen-Free Copper, Length 16.40mm (.646"), Width 7.00mm (.276")

Documents:

[Drawing \(PDF\)](#) [RoHS Certificate of Compliance \(PDF\)](#)
[Product Specification PS-50322-001 \(PDF\)](#)

General

Product Family	Ring and Spade Terminals
Series	<u>50322</u>
Crimp Quality Equipment	Yes
Mil-Spec	N/A
Product Name	Y (Spade)
Type	Spade

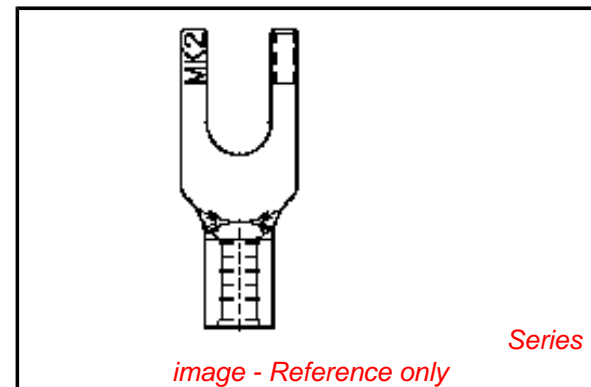
Physical

Barrel Type	Closed - Brazed
Insulation	None
Material - Plating Mating	Tin
Packaging Type	Bag
Plating min: Mating (µin)	40
Plating min: Mating (µm)	1
Plating min: Termination (µin)	40
Plating min: Termination (µm)	1
Stud Size	8 (M4)
Termination Interface: Style	Crimp or Compression
Wire Size AWG	16, 18, 20, 22
Wire Size mm ²	0.25 - 1.65

Material Info

Reference - Drawing Numbers

Product Specification	PS-50322-001
Sales Drawing	SD-50322-001



EU RoHS

ELV and RoHS Compliant
REACH SVHC
 Not Reviewed
Halogen-Free
Status
Not Reviewed

China RoHS



Need more information on product environmental compliance?

Email productcompliance@molex.com
 For a multiple part number RoHS Certificate of Compliance, [click here](#)

Please visit the [Contact Us](#) section for any non-product compliance questions.

Search Parts in this Series

50322Series

Application Tooling | [FAQ](#)

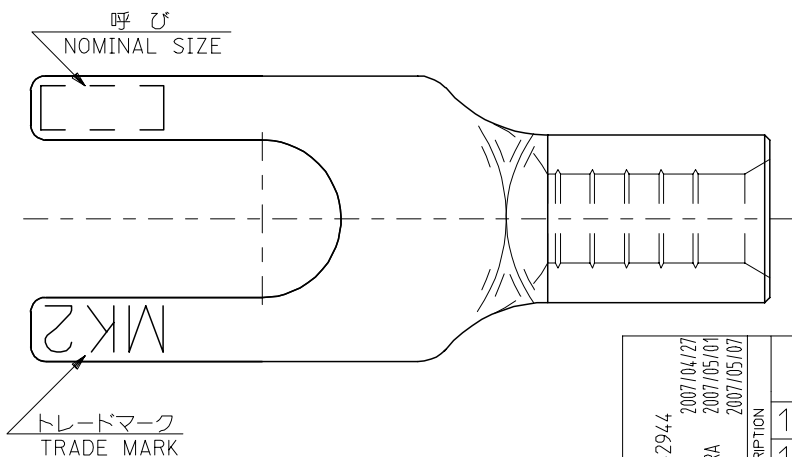
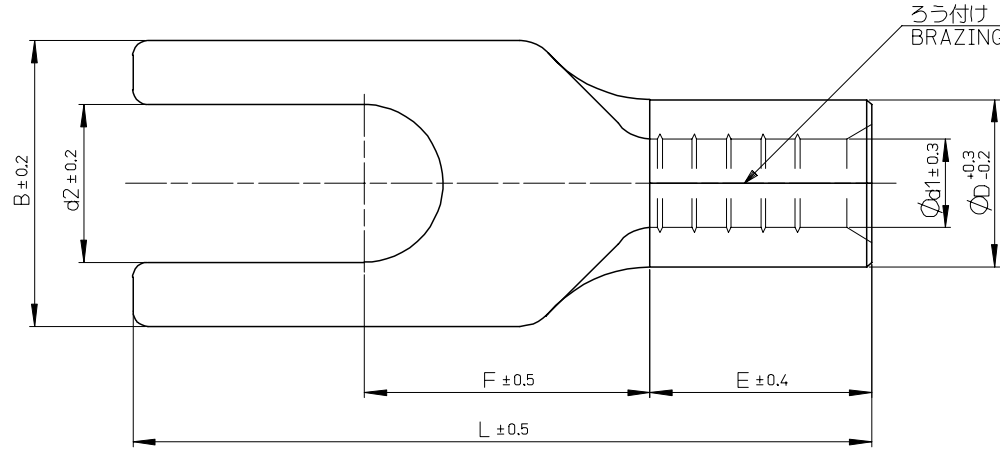
Tooling specifications and manuals are found by selecting the products below. Crimp Height Specifications are then contained in the Application Tooling Specification document.

Japan

Description	Product #
Hand Crimper For JIS Terminal	<u>0572575000</u>
Hand Crimper For JIS Terminal	<u>0573435002</u>
Air Type Hand Crimper For JIS Terminal	<u>0573439005</u>

10 9 8 7 6 5 4 3 2 1

F
E
D
C
B
A



注記 NOTES

- 材質 MATERIAL
端子：無酸素銅、錫めっき
TERMINAL: OXYGEN-FREE COPPER, TIN PLATING
ろう付け部 リン銅ろう
COPPER PHOSPHORUS BRAZING FILLER METALS (PART OF BRAZING)
- 適用電線 APPLICABLE WIRE RANGE

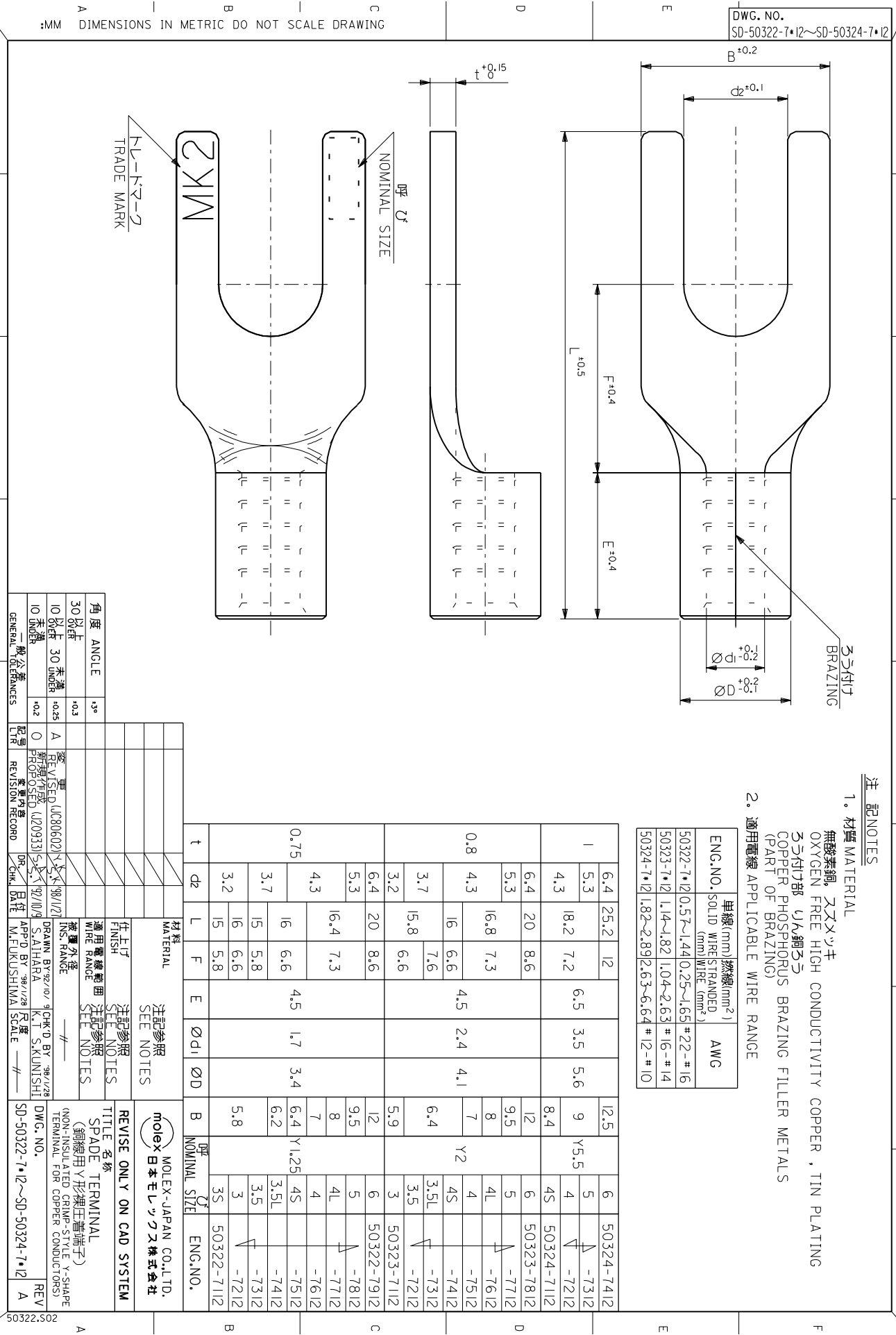
ENG. NO.	単線(mm) SOLID WIRE (mm)	撚線(mm ²) STRANDED WIRE (mm ²)	AWG
50322-7*12	0.57~1.44	0.25~1.65	#22-#16

0.8	4.3	16.4	7.3	4.5	1.7	3.4	Y1.25	4	50322-7622	
	6.4	20	8.6					6	50322-7912	
	5.3	16.4	7.3					9.5	5	50322-7812
	4.3							8	4L	50322-7712
	3.7	16	6.6					7	4	50322-7612
		15	5.8					6.4	4S	50322-7512
	3.2	16	6.6					6.2	3.5L	50322-7412
		15	5.8					5.8	3.5	50322-7312
	3.7	15	5.8					5.8	3	50322-7212
	t								φd2	L

REVISED EC NO: J2007-2944 DRW: H.YAJIMA 2007/04/27 CHK: K.KASAHARA 2007/05/01 APP: NUKITA 2007/05/07	GENERAL TOLERANCES (UNLESS SPECIFIED)		DIMENSION STYLE MM ONLY		SCALE ---	DESIGN UNITS METRIC	THIRD ANGLE PROJECTION	
	10 UNDER	± ---	DRAWN BY H. YAJIMA	DATE '06/08/24	TITLE SPADE TERMINAL			
	10 OVER 30 UNDER	± ---	CHECKED BY K. KASAHARA	DATE '06/08/24	MATERIAL NO. SEE CHART			
	30 OVER	± ---	APPROVED BY N. UKITA	DATE '06/08/24	DOCUMENT NO. SD-50322-001			
	ANGULAR	± --- °	DRAFT WHERE APPLICABLE MUST REMAIN WITHIN DIMENSIONS		SIZE A3		SHEET NO. 1 OF 1	

DWG. NO.
SD-50322-7*12~SD-50324-7*12

MM DIMENSIONS IN METRIC DO NOT SCALE DRAWING



注記NOTES

- 材質 MATERIAL
無酸素銅、スズメッキ
OXYGEN FREE HIGH CONDUCTIVITY COPPER, TIN PLATING
- 適用電線 APPLICABLE WIRE RANGE
ろう付け部 リン銅ろう
COPPER PHOSPHORUS BRAZING FILLER METALS
(PART OF BRAZING)

ENG. NO.	単線 (mm) (SOLID WIRE)	撚線 (mm ²) (STRAINED WIRE)	AWG
50322-7*12	0.57~1.44	0.25~1.65	#22~#16
50323-7*12	1.14~1.82	1.04~2.63	#16~#14
50324-7*12	1.82~2.89	2.63~6.64	#12~#10

I	6.4		25.2		12		12.5		6		50324-7412	
	5.3	4.3	18.2	7.2	6.5	3.5	5.6	9	Y5.5	5	Δ	-7312
0.8	4.3	16.8	7.3	4.5	2.4	4.1	7	8.4	Y2	4	Δ <th>-7512</th>	-7512
	3.7	15.8	7.6	4.5	2.4	4.1	8	9.5	Y2	5	Δ <th>-7712</th>	-7712
0.75	3.2	15.8	6.6	4.5	2.4	4.1	8	8.4	Y2	4	Δ <th>-7512</th>	-7512
	3.7	16.4	7.3	4.5	1.7	3.4	7	9.5	Y2	5	Δ <th>-7812</th>	-7812
3.2	6.4	20	8.6	5.9	3	50323-7112	3	12	6	50322-7912	6	50322-7912
	5.3	16.4	7.3	5.9	3	50323-7112	3	9.5	5	-7812	5	-7812
4.3	6.4	16	6.6	6.4	3.5L	-7312	3.5	8	4L	-7612	4	-7612
	3.7	15	5.8	6.4	Y1.25	-7512	4	7	4	-7612	4	-7612
3.2	6.4	16	6.6	6.2	3.5L	-7412	3.5L	6.2	3.5L	-7412	3.5L	-7412
	5.3	16	6.6	6.2	3.5L	-7412	3.5L	6.2	3.5L	-7412	3.5L	-7412
3.2	6.4	15	5.8	5.8	3	-7212	3	5.8	3	-7212	3	-7212
	5.3	15	5.8	5.8	3	-7212	3	5.8	3	-7212	3	-7212

角度 ANGLE	30度以下	10度以下	10度以下
公差 TOLERANCE	+0.3	+0.25	+0.2
公差 TOLERANCE	±0.2	±0.2	±0.2

記号	内容	日付	氏名
DR	設計	98/11/21	W. FUKUSHIMA
CHK	検査	98/11/21	S. KUNISHI

材料 MATERIAL	注記参照 SEE NOTES
銅線	無酸素銅、スズメッキ
絶縁体	ポリイミド系樹脂

仕上げ FINISH	注記参照 SEE NOTES
銅線	無酸素銅、スズメッキ
絶縁体	ポリイミド系樹脂

REVISE ONLY ON CAD SYSTEM
材料 Molex MOLEX-JAPAN CO.,LTD. 日本モレックス株式会社
規格規格 SPAD TERMINAL (銅線用) 形状 (端子) (NON-INSULATED CRIMP-STYLE Y-SHAPE TERMINAL FOR COPPER CONDUCTORS)
図面番号 DWG. NO. SD-50322-7*12~SD-50324-7*12
承認者 REVISED BY: S. HARA
承認者 CHECKED BY: S. KUNISHI
承認者 APPROVED BY: W. FUKUSHIMA
承認者 DRAWN BY: S. HARA
承認者 CHECKED BY: S. KUNISHI
承認者 APPROVED BY: W. FUKUSHIMA
承認者 DRAWN BY: S. HARA
承認者 CHECKED BY: S. KUNISHI
承認者 APPROVED BY: W. FUKUSHIMA

THIS DRAWING CONTAINS INFORMATION THAT IS PROPRIETARY TO MOLEX(JAPAN) AND SHOULD NOT BE USED WITHOUT WRITTEN PERMISSION
 本図面は日本モレックス(株)の所有する情報を含むもので、当社の許可なく複製を禁止する。
 EN-01C0323MXJ-32