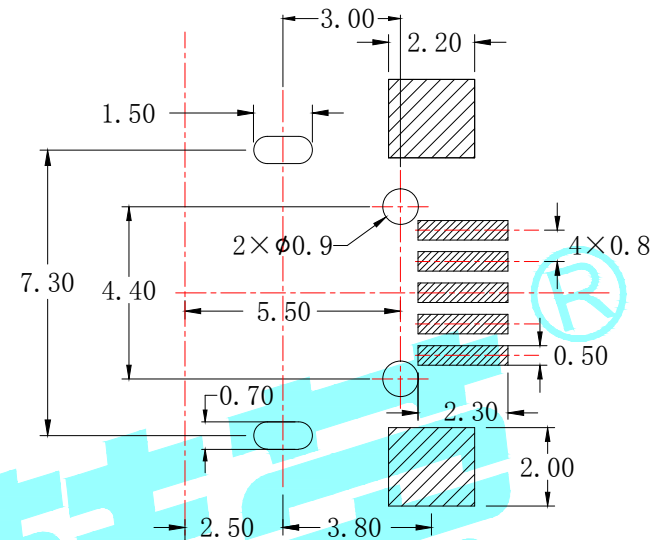
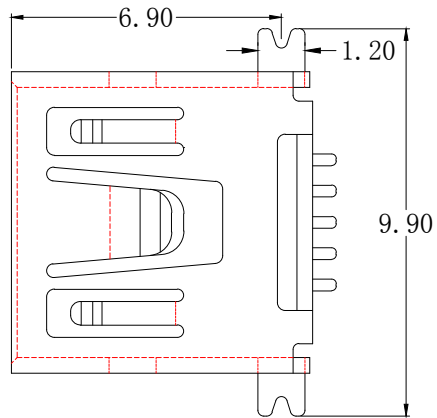
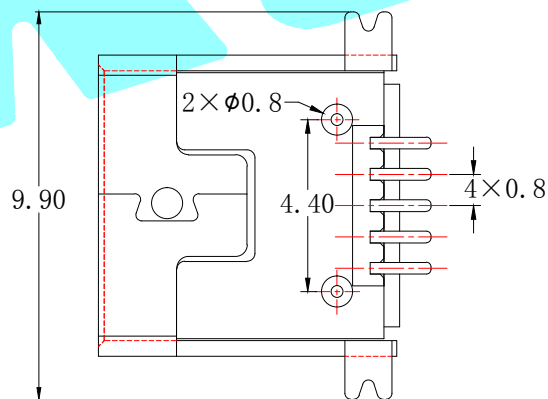
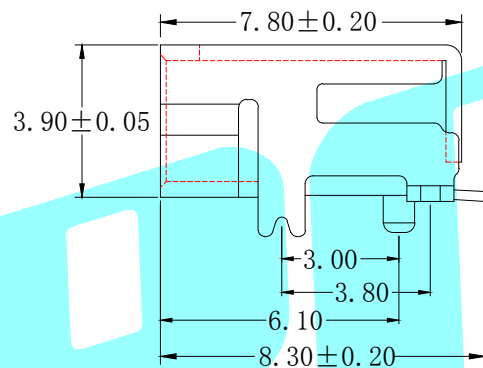
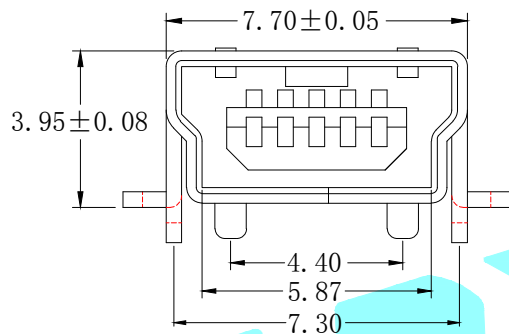


ROHS



Recommended PCB Layout



SPECIFICATIONS

- 1.Rating : 30V 1.0A
- 2.Contact Resistance: ≤50mΩ
- 3.Insulation Resistance: ≥100mΩ DC500V
- 4.Operating Temperature Range: 25 85
- 5.Ambient Humidity Used: ≤85%RH
- 6.Life : 5,000 Cycles

③	Shell	—	1	Copper Alloy	Ni Plated	—
②	Contact	—	5	Copper Alloy	Au/Sn Plated	—
①	Housing	—	1	LCP	Black	—
ITEM	PART NAME	TER'NO.	QTY.	MATERIAL	FINISHING	REMARK

APPROVALS			DATE		 ELECTRONICS CO.,LTD	
DRAWN	LIUCAN	2021.6.8				
CHECKED					TITLE:	USB CONNECTOR
APPROVALS					PART NO.	U-M-M5DS-W-6
TOLERANCES ARE			30~以上 ±0.30	10~30 ±0.25	ANGLE	UNIT: mm
			5~10 ±0.20	~ 5 ±0.15	±2'	SCALE: 1:1
ECN NO.			REV.	DATE.	DESCRIPTION.	CHANGE.
A					NEW	APPRO.
ECN NO.			REV.	DATE.	DESCRIPTION.	CHANGE.
					NEW	APPRO.

ECN NO.	REV.	DATE.	DESCRIPTION.	CHANGE.	CHECK.	APPRO.
	A		NEW			