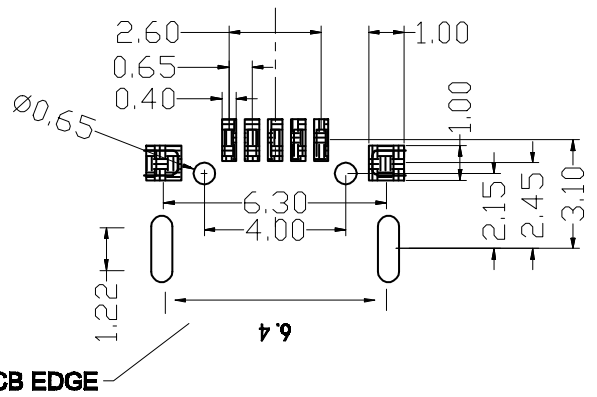
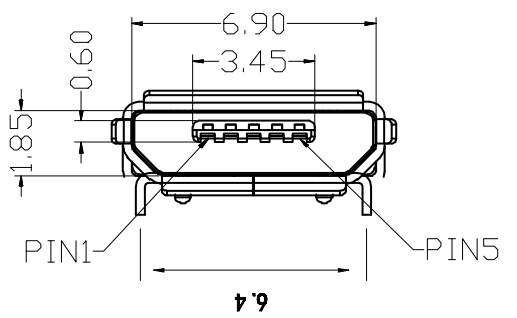
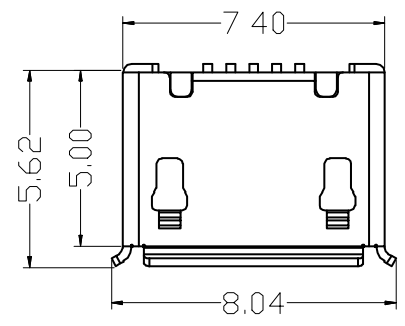
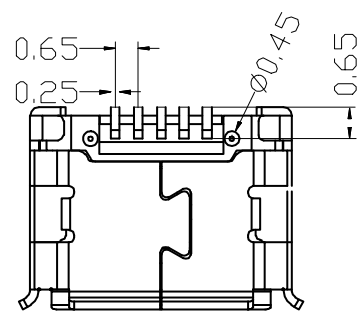
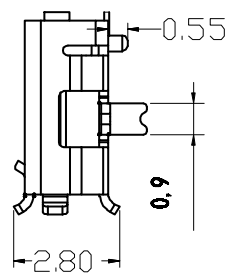
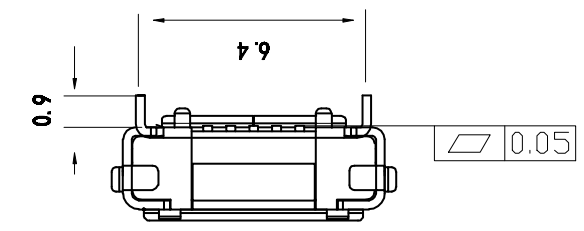


Kinghelm®

标记 REV. LTR	日期 DATE	版别 REV.	变更内容 REVISION NOTES	签名 SIGN
----------------	------------	------------	------------------------	------------



RECOMMENDED PCB LAYOUT
TOLERANCE: ±0.05

规格说明: Specifications:

电气特性: Electrical:

1. 额定电流: Current Rating
1.0A/contact terminal
2. 额定电压: Voltage Rating
30V DC
3. 接触阻抗: Contact Resistance
50 milliohms MAX
4. 耐电压: Dielectric Withstanding Voltage:
300 V AC AT Sea Level
5. 绝缘阻抗: Insulation Resistance:
100MEGA ohms MIN

物理性能: Mechanical:

1. 插拔力: Connector Mate and Unmate Force
Mate force: 3.0kgf (MAX)
Unmate force: 0.7kgf (MIN)
2. 端子保持力: Terminal Retention
0.5kgf (MIN)

原材料: Material:

1. 塑胶: Housing:
High Temperature Thermoplastics,
UL 94V-0 LCP Black
2. 端子: Contact: Copper Alloy H65 EH
3. 外壳: Shell: H 65

电镀: Finish:

1. 端子: Contact: Plated Gold in Mating Area;
Tin On Solder Tails
2. 外壳: Shell:
Nickel Plating (能过炉自动上锡)

GENERAL TOLERANCES			
DIMENSION	I	II	III
X. XXX	±0.01	±0.02	±0.03
X. XX	±0.03	±0.05	±0.08
X. X	±0.05	±0.10	±0.12
X.	±0.10	±0.15	±0.20
ANGLE	±0.5°	±1.0°	±2.0°

品名 TITLE	MICRO USB 05 B TYPE 5.4MM 前置后贴 卷边 有柱
料号 P/N NO.	XXXXXXXX
图号 DWG. NO.	
图名 Dwg. NAME	

深圳市金航标电子有限公司	
WWW.BDS666.COM	
KH-MICRO6.4ZH-5PJ	
0755-83044319	

表面处理 PLATING	
料厚 THICKNESS	版次 REV. A/0
材料 MATERIAL	比例 SCALE 1:1

单位 UNIT	MM
图框 DRAWING FRAME	A4
页次 SHEET	1/1
路径 FILE NAME	