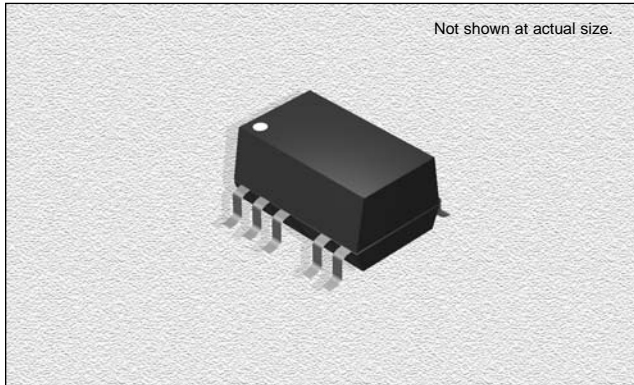


## CTDD1508M-D Series

Fixed Input Isolated & Unregulated  
1W Output, Dual Output



### FEATURES

- Efficiency:** To 79%
- Temperature Range:** -40°C to 85°C
- Isolation:** 3KVDC
- Package:** UL94-V0
- Miscellaneous:** No heatsink required. No external component required. Industry standard pinout. Small footprint. High power density. Positive & negative voltage output. Custom service available.
- Samples available.**

### CHARACTERISTICS

- Short Circuit Protection:** 1 second
- Temperature Rise at Full Load:** 25°C Max. 15°C Typ.
- Cooling:** Free air convection
- Operating Temperature Range:** -40°C to +85°C
- Storage Temperature Range:** -55°C to +125°C
- Lead Temperature:** 300°C (1.5mm from case for 10 seconds)
- Storage Humidity Range:** ≤ 95%
- Case Material:** Plastic (UL94-V0)
- MTBF:** >1,000,000 hours

### SPECIFICATIONS

Part Number	Vin Nom.	Input Range	Vout	Iout Max. (mA)	Iout Min. (mA)	Effi(Typ.)
CTDD1508M-0505D-1	5VDC	4.5-5.5VDC	±5VDC	±100	±10	72%
CTDD1508M-0509D-1	5VDC	4.5-5.5VDC	±9VDC	±56	±6	75%
CTDD1508M-0512D-1	5VDC	4.5-5.5VDC	±12VDC	±42	±5	78%
CTDD1508M-0515D-1	5VDC	4.5-5.5VDC	±15VDC	±33	±4	78%
CTDD1508M-1205D-1	12VDC	10.8-13.2VDC	±5VDC	±100	±10	74%
CTDD1508M-1209D-1	12VDC	10.8-13.2VDC	±9VDC	±56	±6	76%
CTDD1508M-1212D-1	12VDC	10.8-13.2VDC	±12VDC	±42	±5	79%
CTDD1508M-1215D-1	12VDC	10.8-13.2VDC	±15VDC	±33	±4	79%

### ISOLATION SPECIFICATIONS

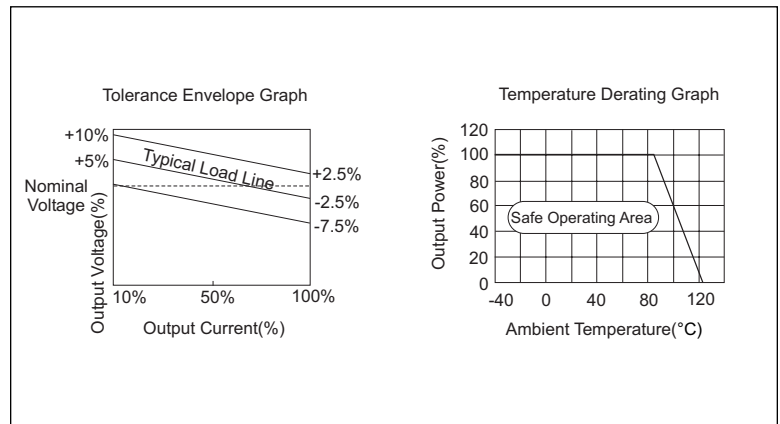
Item	Test Condition	MIN	TYP	MAX	Units
Isolation Voltage	Tested for 1 minute	3000			VDC
Isolation Resistance	Test at 500VDC	1000			MΩ

### OUTPUT SPECIFICATIONS

Item	Test Condition	MIN	TYP	MAX	Units
Output Power		0.1		1	W
Line regulation	For Vin change of 1%			1.2	%
Load regulation	10% to 100% load(5V output)		10	12	%
	10% to 100% load(9V output)		6.5	8.0	%
	10% to 100% load(12V output)		6.0	8.5	%
	10% to 100% load(15V output)		6.0	7.0	%
Output voltage accuracy	See tolerance envelope graph				
Temperature drift	100% full load			0.03	%/°C
Output ripple	20MHz Bandwidth		50	75	mVp-p
Switching frequency	Full load, nominal input	100	150	200	KHz

Note:  
1. All specifications measured at TA=25°C, humidity<75%, nominal input voltage and rated output load unless otherwise specified.

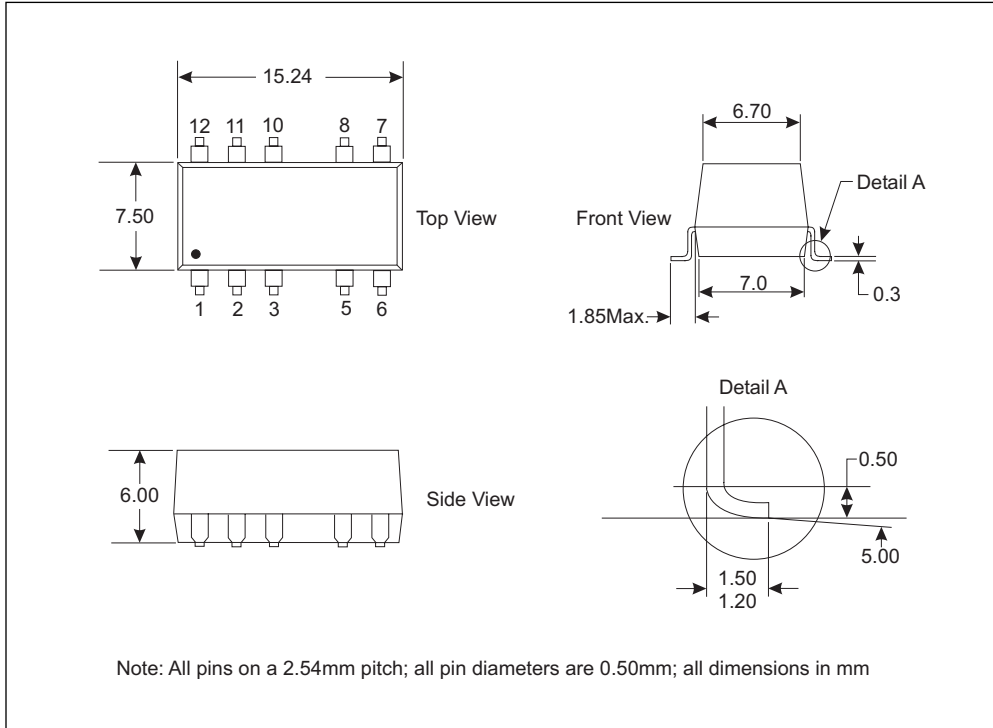
### TYPICAL CHARACTERISTICS



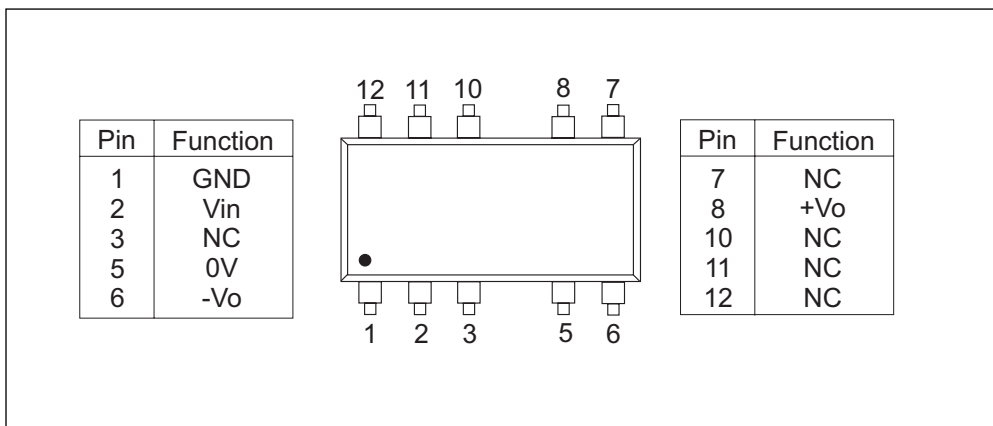
## CTDD1508M-D Series

Fixed Input Isolated & Unregulated  
1W Output, Dual Output

### OUTLINE DIMENSIONS & RECOMMENDED FOOTPRINT DETAILS



### PIN CONNECTIONS



02.23.05