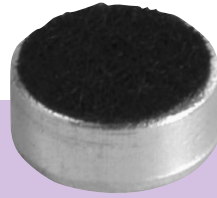


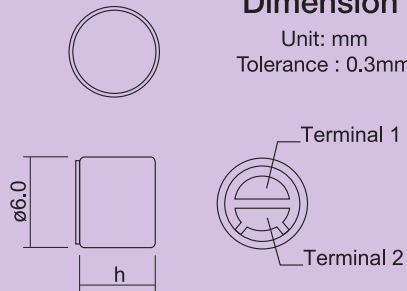
# SoniCrest Microphones

## HBC06A,B,C Series



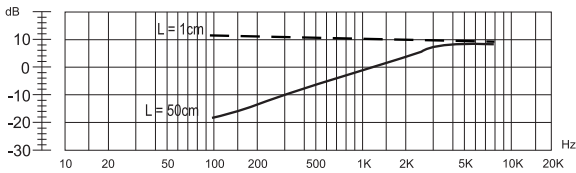
### Dimension

Unit: mm  
Tolerance : 0.3mm



### Frequency Response

Applied Voltage  $V_s = 3V$   
Load Resistance  $R_L = 2.2k\Omega$

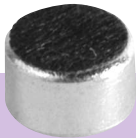


### Specification (all data taken at 25°C unless otherwise specified)

Model	h (mm)	Directivity	★Sensitivity (dB)	Rated Voltage (V)	Maximum Operating Voltage(V)	Current Consumption (mA)	Frequency Range (Hz)	Impedance ( $\Omega$ )	Sensitivity Reduction (dB)	S/N Ratio (dB)
HBC0603A-65	5.0	Noise	$-45 \pm 3$	3	10	$\leq 0.5$	100 ~ 10000	Low	$\leq -3$ at 1.5V	$\geq 58$
HBC0603B-65	3.5	Canceling	$-45 \pm 3$	3	10	$\leq 0.5$	100 ~ 10000	Low	$\leq -3$ at 1.5V	$\geq 58$
HBC0603C-65	2.7		$-45 \pm 3$	3	10	$\leq 0.5$	100 ~ 10000	Low	$\leq -3$ at 1.5V	$\geq 58$

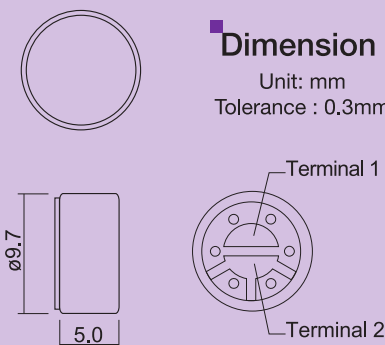
★ Condition : 0dB = 1V/pa, 1KHz, Different sensitivity level is available upon request.

## HBC10A Series



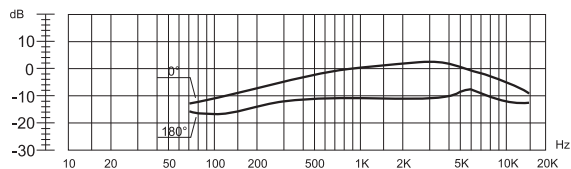
### Dimension

Unit: mm  
Tolerance : 0.3mm



### Frequency Response

Applied Voltage  $V_s = 1.5V$   
Load Resistance  $R_L = 680\Omega$



### Specification (all data taken at 25°C unless otherwise specified)

Directivity	★Sensitivity (dB)	Rated Voltage (V)	Maximum Operating Voltage(V)	Current Consumption (mA)	Frequency Range (Hz)	Impedance ( $\Omega$ )	Sensitivity Reduction (dB)	S/N Ratio (dB)
Noise Canceling	$-45 \pm 3$	1.5	10	$\leq 0.5$	100 ~ 10000	Low	$\leq -3$ at 1.5V	$\geq 60$

★ Condition : 0dB = 1V/pa, 1KHz, Different sensitivity level is available upon request.

### Model : HBC1001A-65