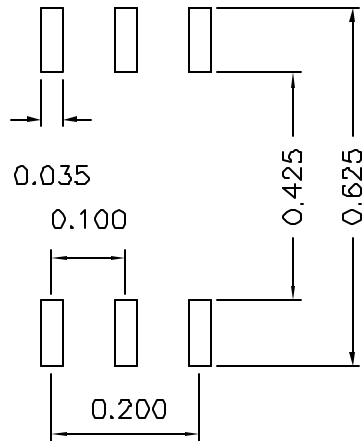
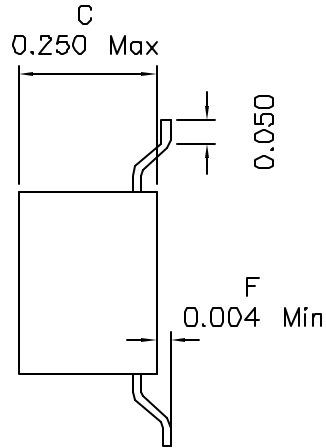
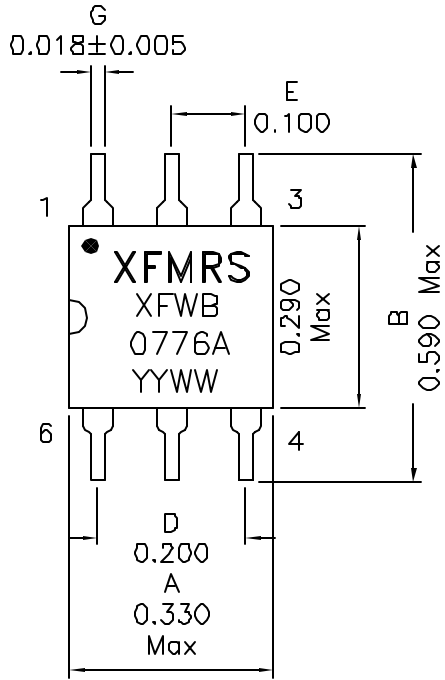


1. Mechanical Dimensions:



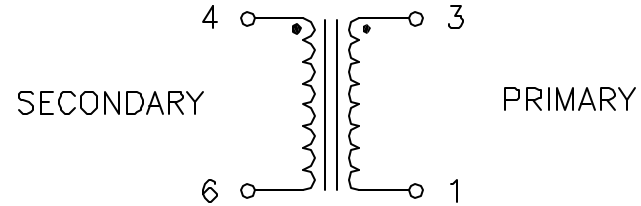
SUGGESTED PCB LAYOUT

Notes:

1. Solderability: Leads shall meet MIL-STD-202G, Method 208H for solderability.
2. Flammability: UL94V-0
3. ASTM oxygen index: > 28%
4. Insulation System: Class F 155°C, UL file E151556
5. Operating Temperature Range: All listed parameters are to be within tolerance from -40°C to +85°C
6. Storage Temperature Range: -55°C to +125°C
7. Aqueous wash compatible
8. SMD Lead Coplanarity: ±0.004" (0.102mm)
9. Electrical and mechanical specifications 100% tested
10. RoHS Compliant Component

DOC REV: A/1

2. Schematic:



3. Electrical Specifications: @25°C

ISOLATION: 300 VAC (PRI TO SEC)

Turns Ratio: 6:1 Pri:Sec

Impedance Ratio: 36:1 Pri:Sec

OCL: P1-3 90 uH Min @100KHz 50mV

DCR: P1-3 0.40 Ohms Max.

DCR: P4-6 0.15 Ohms Max.

Insertion Loss: 0.03-20MHz	0.05-10MHz	0.1-5MHz
3dB	2dB	1dB

NOTES: THE IMPEDANCE IS ALL REFERRED TO A 50 OHMS SYSTEM

XFMR5 Inc www.XFMR5.com	Title: RF WIDEBAND TRANSFORMERS		
	UNLESS OTHERWISE SPECIFIED TOLERANCES: .xxx ±0.010 Dimensions in INCH	P/N: XFWB0776-A0	REV. A
SHEET 1 OF 1	DWN.	Juan Mao	Mar-30-06
	CHK.	YK Liao	Mar-30-06
	APP.	BW	Mar-30-06