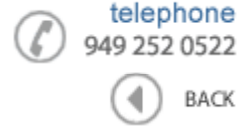




**Data Sheet**



Product Category: RF SAW Filter

Part Number	Package	Application	Last Modified
803-RF446.0M-A	3.8 x 3.8 SMD	Wireless Communication	Mar. 2 2007

TYPE :  
446.0 MHz RF SAW Filter



PART NUMBER :  
**803-RF446.0M-A**

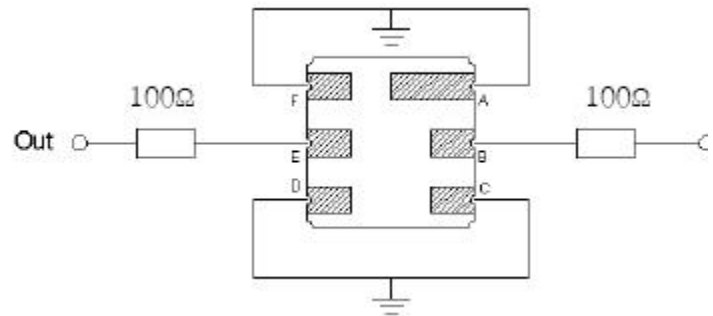
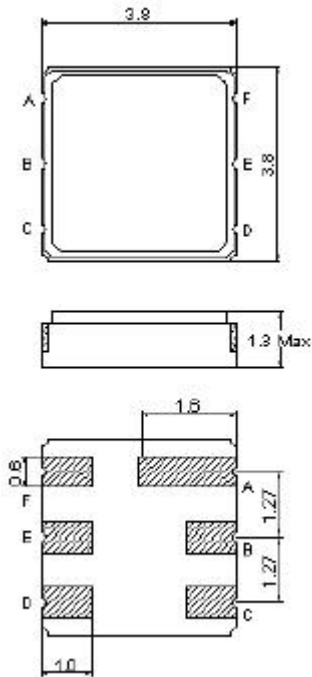
**OPERATING CONDITIONS / ELECTRICAL CHARACTERISTICS**

PARAMETERS	Condition	Minimum	Typical	Maximum	Units
Center Frequency (Fo)	-	-	446.0	-	MHz
Insertion Loss	444.0 ~ 448.0 MHz	-	1.5	3.0	dB
Ripple	444.0 ~ 448.0 MHz	-	0.8	2.0	dB
Stopband Attenuation	DC~Fo-42.8 MHz	50	55	-	dB
	Fo +40.0 ~ Fo +200.0 MHz	50	55	-	
Terminating Impedance	-	-	150/0	-	ohm/pF

\* Custom SAW RF Filters available. Contact Oscilent for assistance.

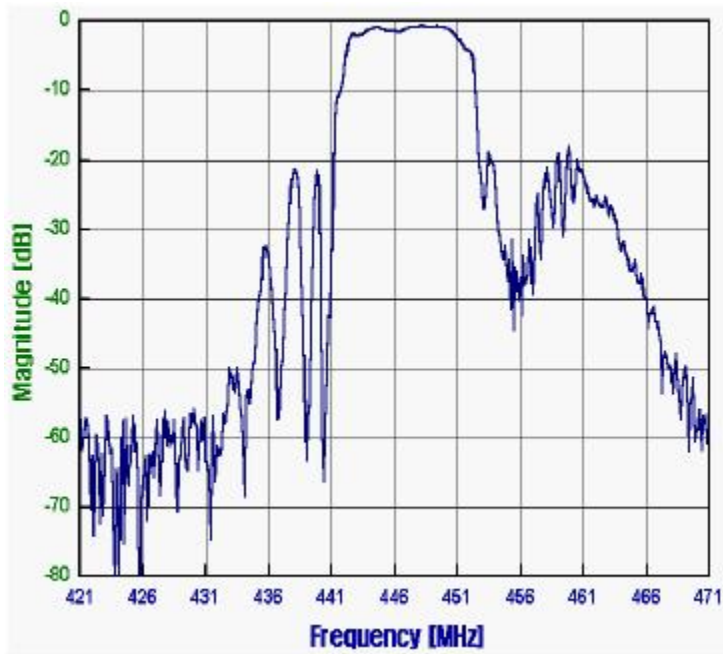
**Package Outline**

**Test Fixture**



B : In  
E : Out  
A, C, D, F : Ground

**Frequency Reponse**



**Oscilent Corporation** - CALL **949.252.0522**  
18195 East McDermott Street . Building D . Irvine . CA 92614 . USA  
Fax: 949.252.0599 . E-Mail: [Sales@Oscilent.com](mailto:Sales@Oscilent.com)

**Part No.:** 803-RF446.0M-A