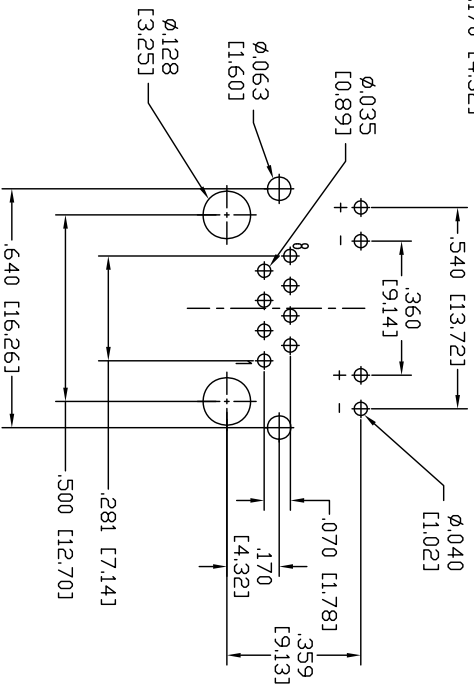
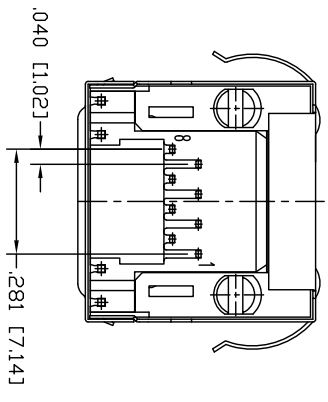
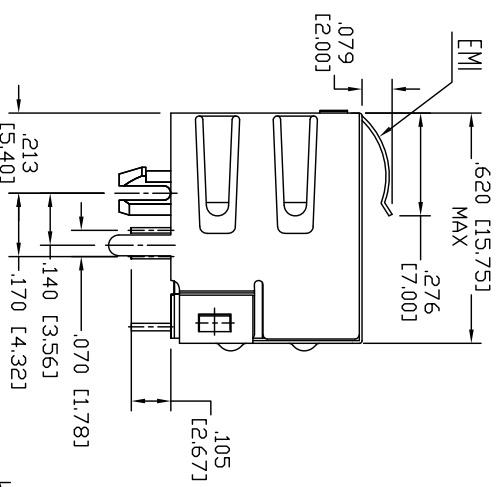
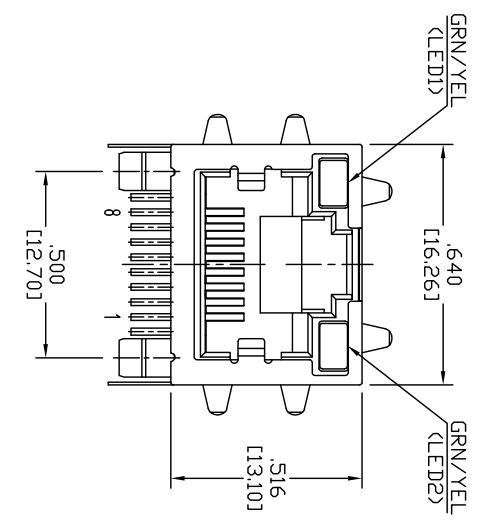


Rev	AWO #	Description	Date	Appr
-		RELEASED	1/12/11	

APPROVED: _____
 DATE: _____ TITLE: _____



RECOMMENDED PCB LAYOUT

X	PLATING
0	15 µin Gold
1	30 µin Gold
2	50 µin Gold

SPECIFICATIONS:

Material: Insulator: PBT, glass reinforced, rated UL 94V-0
 Insulator color: Black
 Contacts: Phosphor Bronze
 Shield: Copper Alloy, Nickel plated
 Contact Plating: Gold Flash over Nickel underplate on contact area, Tin over Copper underplate on tails
 (See chart for thickness).

Electrical:

Operating voltage: 125 VAC max
 Current rating: 1.5 Amps max
 Contact Resistance: 30 mohms max. initial
 Insulation resistance: 500 Mohms min
 Dielectric withstanding voltage: 1000 VAC for 1 minut
 Temperature Rating: Operating temperature: -40°C to +85°C
 Environmental: Lead free, RoHS compliant
 Recommended soldering temp: 235°C for 5 sec.

A

B

C

D

A

B

C

D

ADAM TECH

909 Rahway Avenue, Union, NJ 07083
 Phone: 908-687-5000 Fax: 908-687-5710

TITLE: MODULAR JACK, 8P8C, RIGHT ANGLE
 W/ LED1 GAN / YEL, LED2 GAN / YEL

UNLESS OTHERWISE SPECIFIED ALL DIMENSIONS ARE INCHES [MM]	
TOLERANCES: EXCEPT AS NOTED	
INCHES	HOLES
.X ± .10	Ø.X ± .10
.XX ± .020	Ø.XX ± .015
.XXX ± .015	Ø.XXX ± .010
APPROVALS	
DRAWN	AY
CHECKED	JL
APPROVED	
DATE	DATE
1/12/11	1/12/11

SIZE	PART NO.	REV.
X	MTJ-88ARX1-FSW-PG-L16	-

REF.	SCALE:	SHEET	1 OF 1
S00167T	NIS	1	1



6

5

4

3

2

1