

PLEASE CHECK WWW.MOLEX.COM FOR LATEST PART INFORMATION

Part Number: **0561878000**
Status: **Active**
Description: 3.30mm (.130") Pitch Crimp Terminal 56187, Female, 18-20 AWG, Reel, for 51284/51347 Housings

Documents:

3D Model	Product Specification PS-51284-002 (PDF)
Drawing (PDF)	Product Specification PS-51347-001 (PDF)
Product Specification PS-51284-001 (PDF)	RoHS Certificate of Compliance (PDF)

General

Product Family	Crimp Terminals
Series	56187
Crimp Quality Equipment	Yes
Product Name	N/A

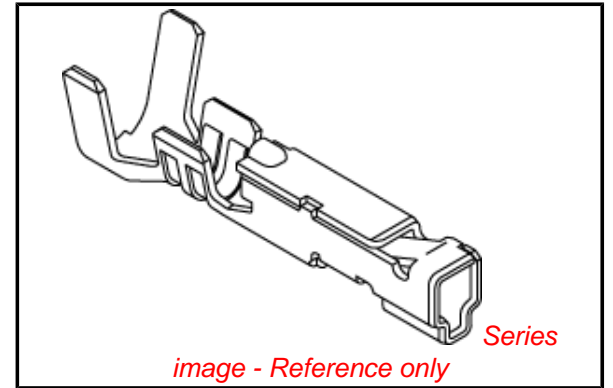
Physical

Gender	Female
Material - Metal	Phosphor Bronze
Material - Plating Mating	Tin
Material - Plating Termination	Tin
Packaging Type	Reel
Plating min: Mating (µin)	36
Plating min: Mating (µm)	0.90
Plating min: Termination (µin)	36
Plating min: Termination (µm)	0.90
Termination Interface: Style	Crimp or Compression
Wire Insulation Diameter	2.60mm (.102") max.
Wire Size AWG	18, 20
Wire Size mm ²	N/A

Material Info

Reference - Drawing Numbers

Product Specification	PS-51284-001, PS-51284-002, PS-51347-001, RPS-51284-003, RPS-51284-004, RPS-51284-005, RPS-51284-006, RPS-51284-007, RPS-51284-008, RPS-51284-009, RPS-51284-010, RPS-51284-011, RPS-51347-002, RPS-51347-003, RPS-51347-004, RPS-51347-005, RPS-51347-006
Sales Drawing	SD-501328-001, SD-501329-001, SD-501395-001, SD-56187-002



EU RoHS

ELV and RoHS Compliant
REACH SVHC
Contains SVHC: No
Halogen-Free Status

China RoHS



Need more information on product environmental compliance?

Email productcompliance@molex.com
 For a multiple part number RoHS Certificate of Compliance, [click here](#)

Please visit the [Contact Us](#) section for any non-product compliance questions.

Search Parts in this Series

56187Series

Mates With

56265 , 56279

Use With

51284 , 51347

Application Tooling | FAQ

Tooling specifications and manuals are found by selecting the products below. Crimp Height Specifications are then contained in the Application Tooling Specification document.

Global

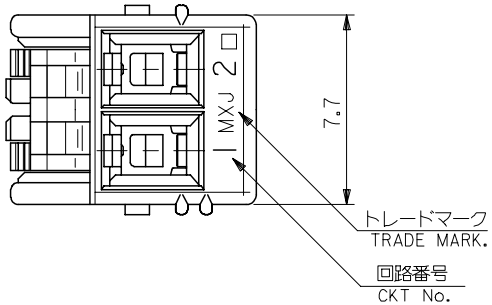
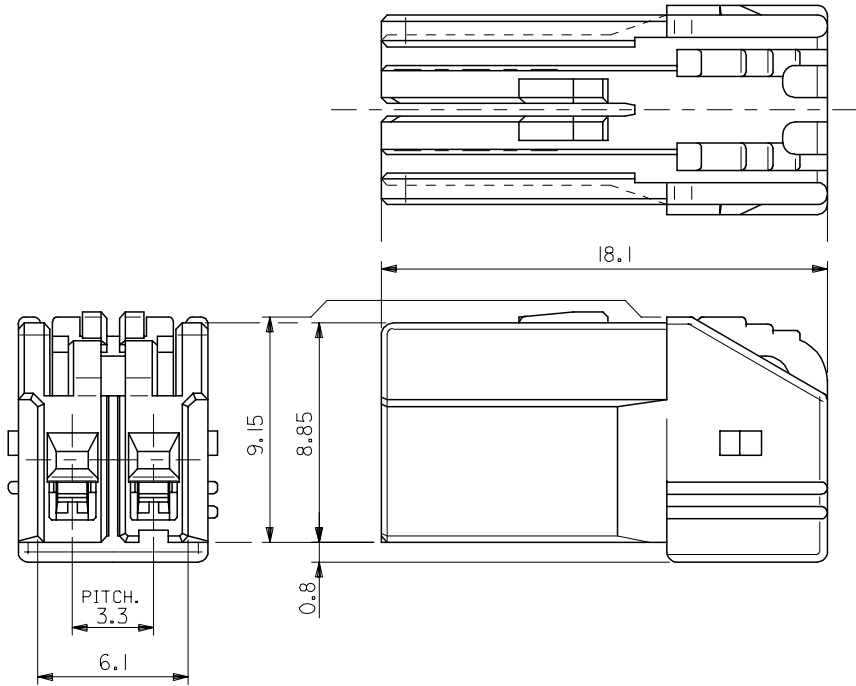
Description	Product #
Extraction Tool	0638132700

Japan

Description	Product #
Applicator for M211A Bench Press, 18-26 AWG, for	0574113000

This document was generated on 04/19/2010

PLEASE CHECK WWW.MOLEX.COM FOR LATEST PART INFORMATION

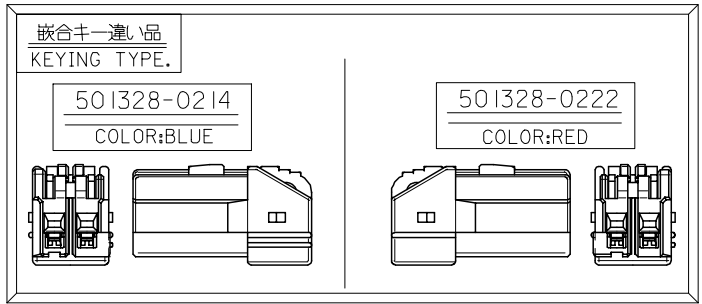
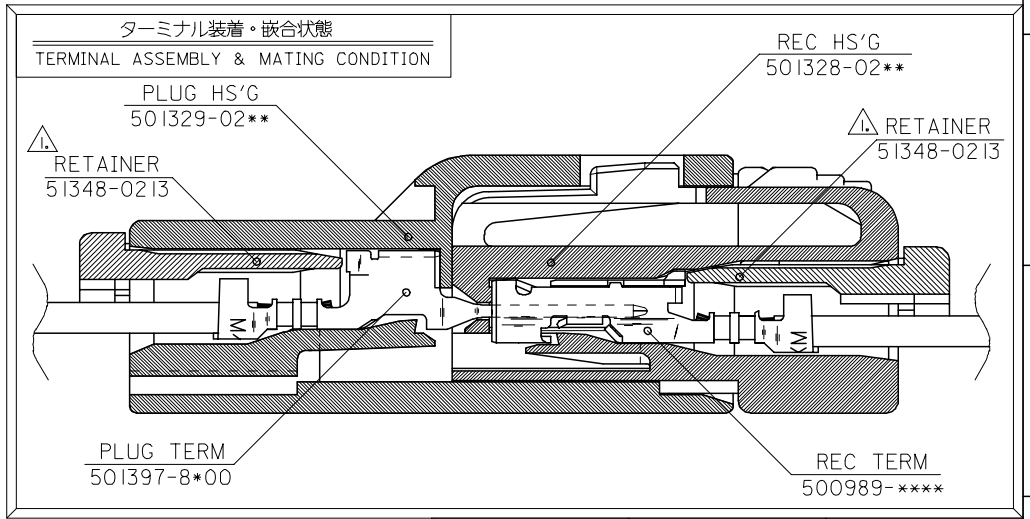


注記
NOTES.

△ 適合リテーナ : 51348-0213
APPLICABLE RETAINER
詳細は SD-51348-001 を参照下さい。
REFERENCE:SD-51348-001

2. 材料 : NYLON66,UL94V-0
MATERIAL

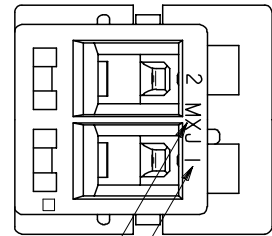
本形状は 501328-0200 を示す。
SHAPE OF 501328-0200



BLUE	501328-0214	
RED	501328-0222	501328-02**
WHITE	501328-0200	
COLOR	MATERIAL No.	MODEL No.

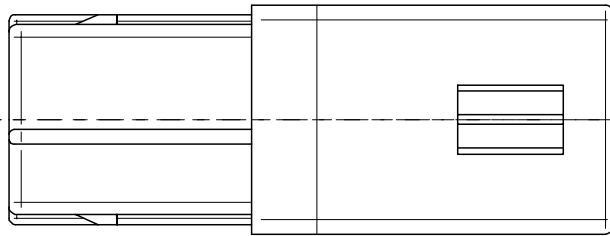
RELEASED EC NO: J2005-2177 DRWN:TODA CHKD:KASAKAWA APPR:SICHIKAWA 2005/03/31 2005/03/31 2005/03/31	GENERAL TOLERANCES (UNLESS SPECIFIED)		DIMENSION STYLE MM ONLY		SCALE 5:1	DESIGN UNITS METRIC	THIRD ANGLE PROJECTION
	10 UNDER	±0.2	DRAWN BY T.ODA		DATE '04/09/30	TITLE 3.3 W/W INERTIA LOCK CONN REC 2CKT	
	10 OVER 30 UNDER	±0.25	CHECKED BY K.ASAKAWA		DATE '04/09/30	MOLEX INCORPORATED DOCUMENT NO. SD-501328-001 SHEET NO. 1 OF 1	
	30 OVER	±0.3	APPROVED BY S.ICHIKAWA		DATE '04/09/30		
ANGULAR	±3 °	DRAFT WHERE APPLICABLE MUST REMAIN WITHIN DIMENSIONS		MATERIAL NO. SEE CHART			
A	SIZE A3		THIS DRAWING CONTAINS INFORMATION THAT IS PROPRIETARY TO MOLEX INCORPORATED AND SHOULD NOT BE USED WITHOUT WRITTEN PERMISSION				

10 9 8 7 6 5 4 3 2 1

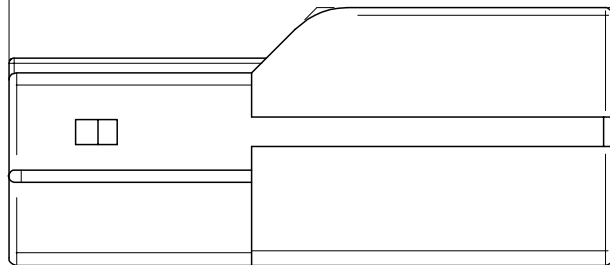


トレードマーク
TRADE MARK.

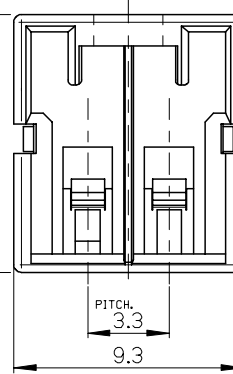
回路番号
CKT No.



24.5



10.45

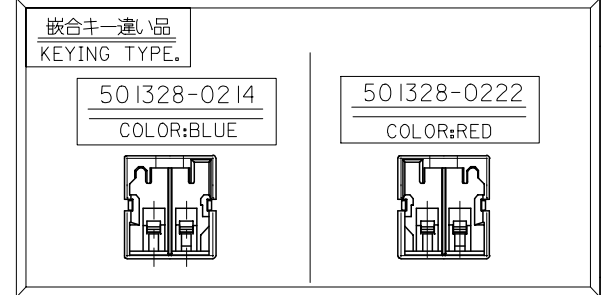
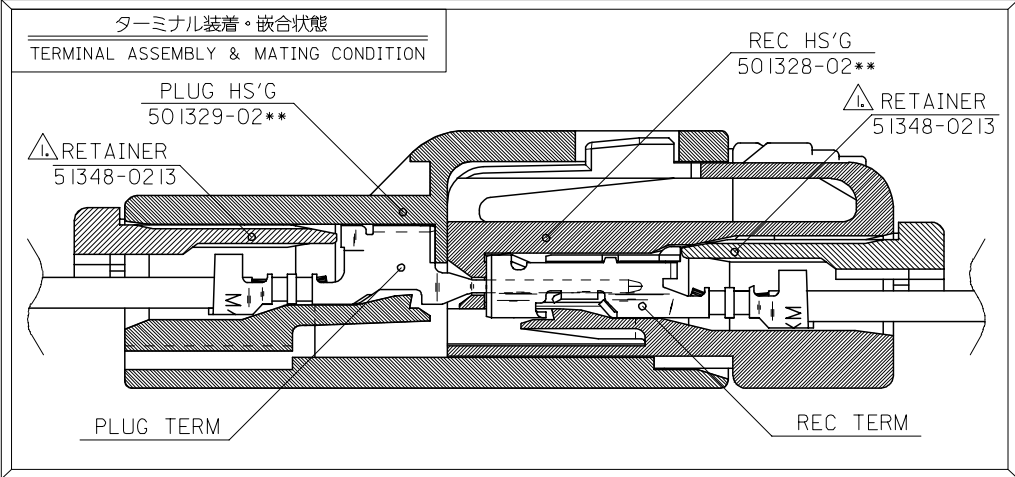


PITCH.
3.3
9.3

注記
NOTES.

- △ 適合リテーナ : 51348-0213
APPLICABLE RETAINER
詳細は SD-51348-001 を参照下さい。
REFERENCE:SD-51348-001
- 2. 材料 : NYLON66,UL94V-0
MATERIAL

本形状は 501329-0200 を示す。
SHAPE OF 501329-0200



BLUE	501329-0214	501329-02**
RED	501329-0222	
WHITE	501329-0200	
COLOR	MATERIAL No.	MODEL No.

RELEASED EC NO: J2005-2177 DRWN:TODA 2005/03/31 CHKDK:ASAKAWA 2005/03/31 APPR:S.ICHIKAWA 2005/03/31	GENERAL TOLERANCES (UNLESS SPECIFIED)		DIMENSION STYLE MM ONLY	SCALE 5:1	DESIGN UNITS METRIC	THIRD ANGLE PROJECTION
	10 UNDER	±0.2	DRAWN BY T.ODA	DATE '04/09/30	TITLE 3.3 W/W INERTIA LOCK CONN PLUG 2CKT	
	10 OVER 30 UNDER	±0.25	CHECKED BY K.ASAKAWA	DATE '04/09/30	APPROVED BY S.ICHIKAWA	
	30 OVER	±0.3	DATE '04/09/30	MATERIAL NO. SEE CHART		DOCUMENT NO. SD-501329-001
A	ANGULAR ±3 °		DRAFT WHERE APPLICABLE MUST REMAIN WITHIN DIMENSIONS		MOLEX INCORPORATED	
THIS DRAWING CONTAINS INFORMATION THAT IS PROPRIETARY TO MOLEX INCORPORATED AND SHOULD NOT BE USED WITHOUT WRITTEN PERMISSION						

10 9 8 7 6 5 4 3 2 1

F

E

D

C

B

A

F

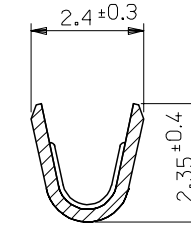
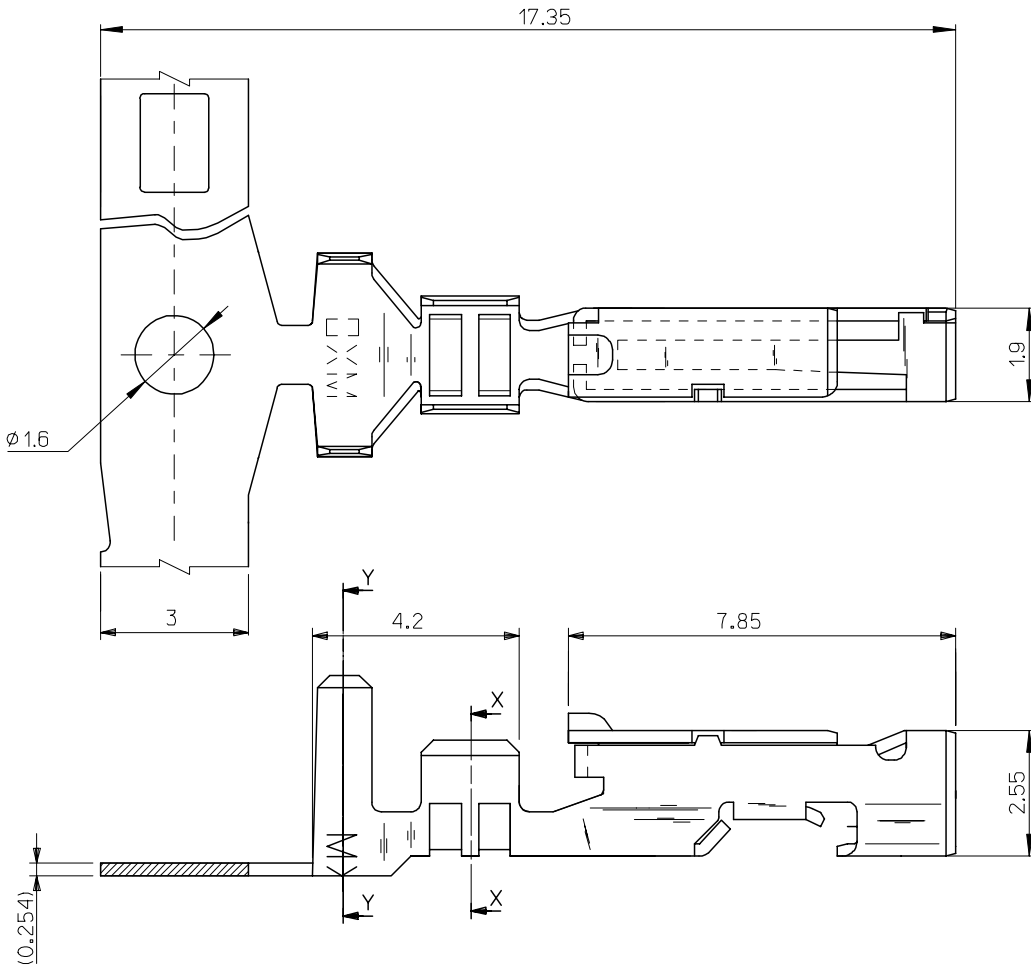
E

D

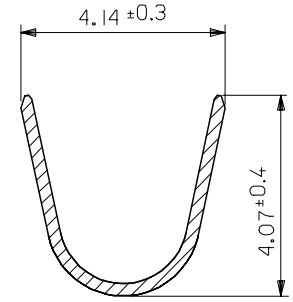
C

B

A



SECTION X-X



SECTION Y-Y

NOTES

1. 使用材料 : 銅合金、錫メッキ
MATERIAL : PRE-TINNED COPPER ALLOY
2. 適合ハウジング : 501328-****
APPLICABLE HS'G : 51347-****
51284-****
3. 適用電線サイズ : AWG#20-18
心線外径 : 0.51-0.87
被覆外径 : $\phi 1.75 - \phi 2.6$

501395-1*00	501395-1100	バラ状 LOOSE
	501395-1000	連鎖状 CHAIN
MODEL NO.	MATERIAL NO.	FORM

RELEASED EC NO: J2005-2177 DRWN: TODA CHKD: K. ASAKAWA APPR: S. ICHIKAWA	GENERAL TOLERANCES (UNLESS SPECIFIED)		DIMENSION STYLE	SCALE	DESIGN UNITS	THIRD ANGLE PROJECTION
			MM ONLY	10:1	METRIC	
	10 UNDER	± 0.2	DRAWN BY	DATE	TITLE	
	10 OVER 30 UNDER	± 0.25	T. ODA	'05/02/07	3.3 W/W/W/B CONN. REC. TERMINAL	
	30 OVER	± 0.3	CHECKED BY	DATE	MOLEX INCORPORATED	
ANGULAR	$\pm 3^\circ$	K. ASAKAWA	'05/02/07	MATERIAL NO.		
DRAFT WHERE APPLICABLE MUST REMAIN WITHIN DIMENSIONS		APPROVED BY	DATE	DOCUMENT NO.		
		S. ICHIKAWA	'05/02/07	SD-501395-001		
		MATERIAL NO.		SHEET NO.		
		SEE CHART		1 OF 1		
		THIS DRAWING CONTAINS INFORMATION THAT IS PROPRIETARY TO MOLEX INCORPORATED AND SHOULD NOT BE USED WITHOUT WRITTEN PERMISSION				

9

8

7

6

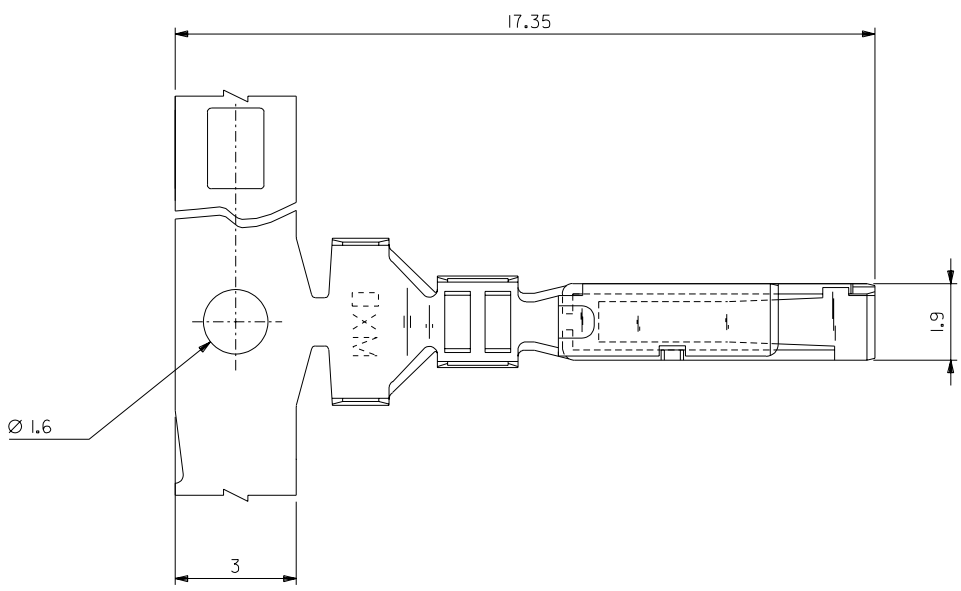
5

4

3

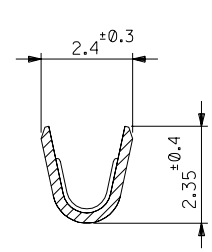
2

DWG. NO. SD-56187-002

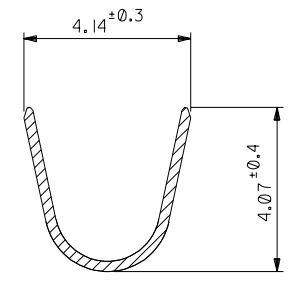


注記
NOTES

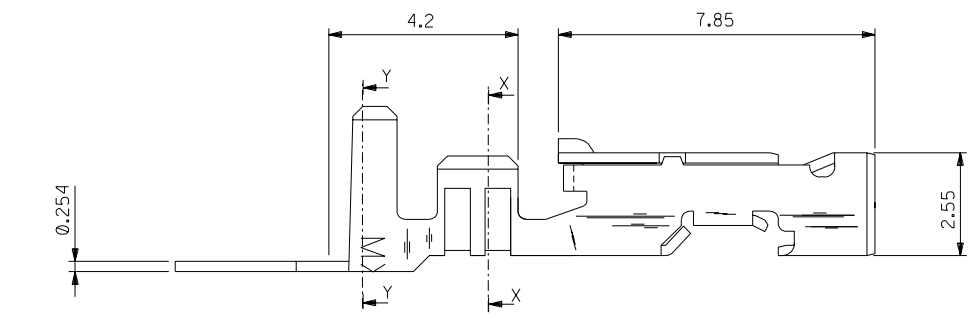
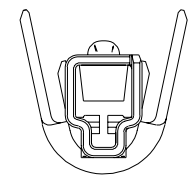
1. 使用材料 : リン青銅, 錫メッキ (t=0.254)
MATERIAL : PRE-TINNED PHOSPHOR BRONZE (t=0.254)
2. 適合ハウジング : 51284&51347シリーズ
APPLICABLE HOUSING : 51284 & 51347 SERIES



SECT. X-X



SECT. Y-Y



56187-8100	バラ状 LOOSE
56187-8000	連鎖状 CHAIN
MATERIAL NO.	端子形状 FORM

DO NOT SCALE DRAWING

64NO. DRWN: CH'K: APPR: 63NO. DRWN: CH'K: APPR: 62NO. DRWN: CH'K: APPR:	REVISED 61NO. J2003-2363 DRWN: H.II '03/03/14 CH'K: K.ASAKAWA APPR: T.YAMAGUCHI RELEASED 60NO. J2002-2040 DRWN: H.II '02/02/19 CH'K: K.ASAKAWA APPR: T.YAMAGUCHI	MATERIAL 材料 注記参照 SEE NOTES //	GENERAL TOLERANCES: (UNLESS SPECIFIED) 一般公差 10 UNDER 未滿 ±0.2 10 OVER 30 UNDER 未滿 ±0.25 30 OVER 以上 ±0.3	WIRE RANGE 適用線径範囲 AWG #18 - #20	DESCRIPTION 被覆外径 Ø2.6MAX.

56187-8*00		MODEL NO.	DIMENSIONS:		SHT	REV
SCALE	DESIGN UNITS	20° 30° 45° 60° 75° 90° 20° 30° 45° 60° 75° 90° PROJECTION	<input type="checkbox"/> mm	<input type="checkbox"/> INCH	2 2 CAD ONLY	2 2 CAD ONLY
1:1 1:2 1:5 1:10 1:20 1:50 1:100	mm INCH		<input type="checkbox"/> mm	<input checked="" type="checkbox"/> mm ONLY		
DRAWN BY & DATE H.II '02/02/18		TITLE: 3.3 mm WIRE TO BOARD CONN. CRIMP RECEPTACLE				
CHECKED BY & DATE K.ASAKAWA '02/02/18		MOLEX INCORPORATED MATERIAL NO. SEE CHART DRAWING NO. SD-56187-002 SHEET NO. 1 OF 1				
APPROVED BY & DATE T.YAMAGUCHI '02/02/18		CAD FILENAME 56187002.S01				
THIS DRAWING CONTAINS INFORMATION THAT IS PROPRIETARY TO MOLEX INCORPORATED AND SHOULD NOT BE USED WITHOUT WRITTEN PERMISSION.						
					SIZE B	