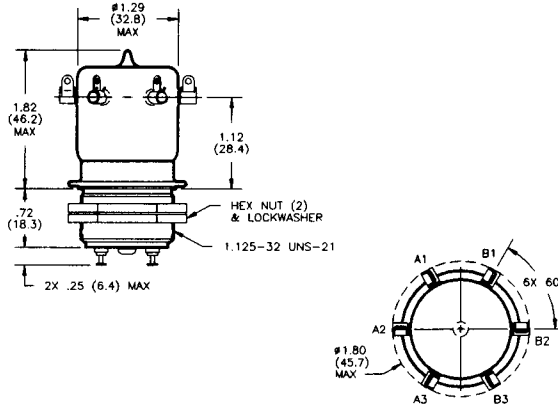


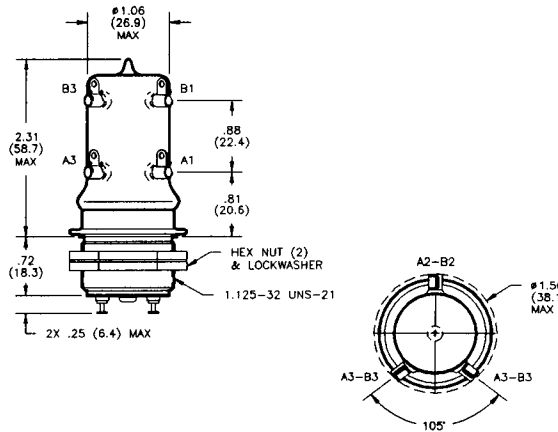
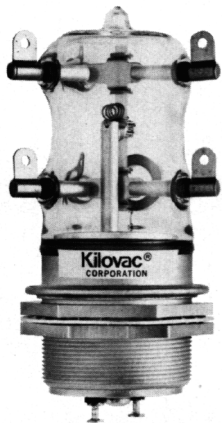
Kilovac H-14 Make & Break Load Switching



Features:

- Double pole, double throw contacts
- Vacuum dielectric for power switching low current loads
- 30 Amps DC continuous current rating
- Corona shield high voltage terminals available
- Meets requirements of MIL-R-83725

Kilovac H-16 Make & Break Load Switching



Features:

- 12 kV rating; isolates 5 kV at 32 MHz
- Vacuum dielectric for power switching low current loads
- Double pole, double throw contacts
- Widely used as a transmit/receive switch
- Meets requirements of MIL-R-83725

PRODUCT SPECIFICATIONS			
Part Number	Units	H-14	H-16
Contact Arrangement		DPDT	DPDT
Contact Form		2C	2C
Test Voltage (dc or 60Hz)	kV Peak	15	15
Rated Operating Voltage	kV Peak		
dc or 60 Hz		12	12
2.5 MHz		10	10
16 MHz		8	8
32 MHz		5	5
Continuous Carry Current , Maximum	Amps		
dc or 60 Hz		30	30
2.5 MHz		15	10
16 MHz		10	6
32 MHz		8	4
Coil Hi-Pot (V RMS, 60 Hz)		500	500
Contact Capacitance	pF		
Between Open Contacts		1	1
Open Contacts to Ground		2.5	2.5
Contact Resistance, Maximum	ohms	0.015	0.03
Operate Time, Maximum	ms	20	20
Release Time, Maximum	ms	20	20
Shock, 11 ms 1/2 Sine	Peak G's	20	20
Vibration, 10 G's Peak	Hz	55-500	55-500
Operating Ambient Temperature Range	°C	-55 to +125	-55 to +125
Mechanical Life (Operations x 10 ⁶)	Cycles	1	0.5
Weight, Nominal	oz.	8	6

COIL DATA			
Nominal, Volts dc	12	26.5	115
Pickup, Volts dc, Maximum	8	16	80
Drop-Out, Volts dc	.5 - 5	1 - 10	5 - 50
Coil Resistance (Ohms ±10%)	24	120	2000

Ratings listed are for 25°C, sea level conditions

PART NUMBER SELECTION

Sample Part No. H 14 /12Vdc
 Model 14
 16
 Coil Voltage _____
 Blank = 26.5 Vdc
 /12Vdc = 12 Vdc
 /115Vdc = 115 Vdc