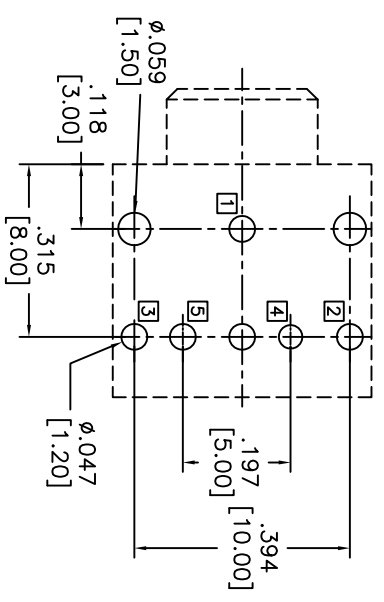
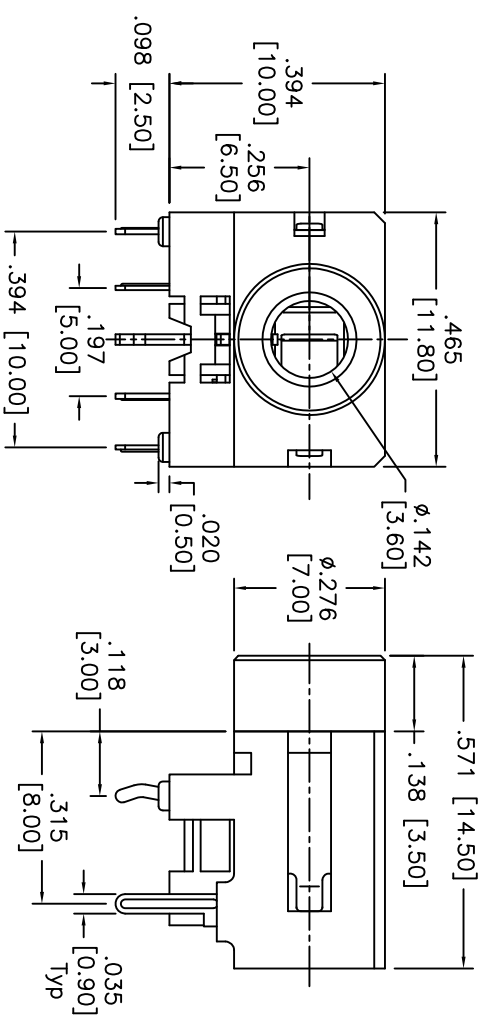
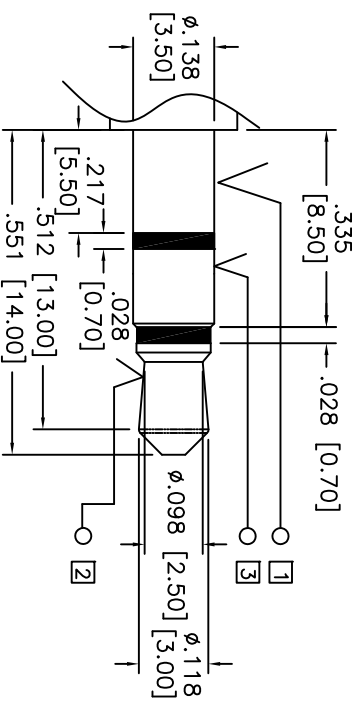
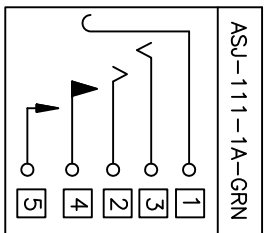
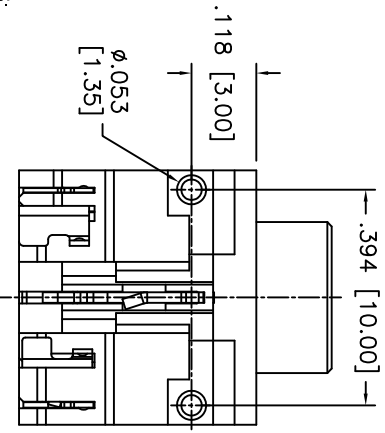


Rev	AWO #	Description	Date	Appr
-		RELEASED	6/21/10	

APPROVED: _____
 DATE: _____ TITLE: _____



RECOMMENDED PCB LAYOUT



MATING PLUG

SPECIFICATIONS:

Material: Insulator: PBT, rated UL 94V-0
 Insulator color: Green
 Contacts: Copper Alloy, Silver plated.

Electrical: Operating voltage: 30 VDC max.
 Current rating: 0.5 Amp max.
 Contact resistance: 50 mohms max.
 Insulation resistance: 100 Mohms min.
 Dielectric withstanding voltage: 500 VAC for 1 minute
 Temperature Rating: Operating temperature: -20°C to +70°C

Environmental: Lead free, RoHS compliant.
 Recommended soldering temp: 235°C for 5 sec.



UNLESS OTHERWISE SPECIFIED
 ALL DIMENSIONS ARE INCHES [MM]
 TOLERANCES: EXCEPT AS NOTED
 INCHES Holes ±.10
 .XX ±.020
 .XXX ±.015
 .XXX ±.010

ADAM TECH
 909 Rahway Avenue, Union, NJ 07083
 Phone: 908-687-5000 Fax: 908-687-5710

TITLE: STEREO PHONE JACK, 3.5mm

APPROVALS	DATE	SIZE	PART NO.	REV.
DRAWN	DY		ASJ-111-1A-GRN	
CHECKED		X		
APPROVED		REF: S0002C	SCALE: NTS	SHEET 1 OF 1