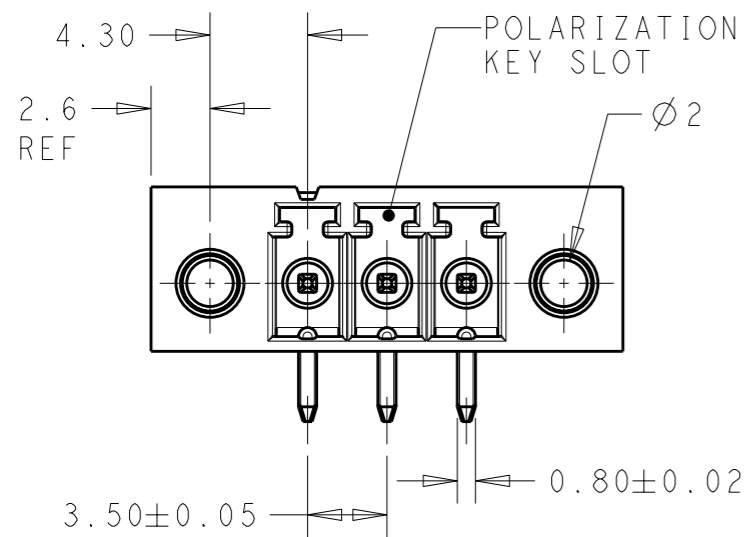


THIS DRAWING IS UNPUBLISHED. RELEASED FOR PUBLICATION 20
 © COPYRIGHT 20 BY TYCO ELECTRONICS CORPORATION. ALL INTERNATIONAL RIGHTS RESERVED.

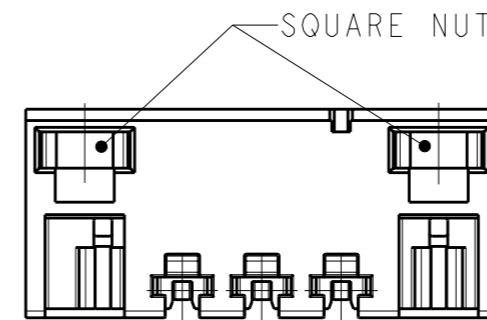
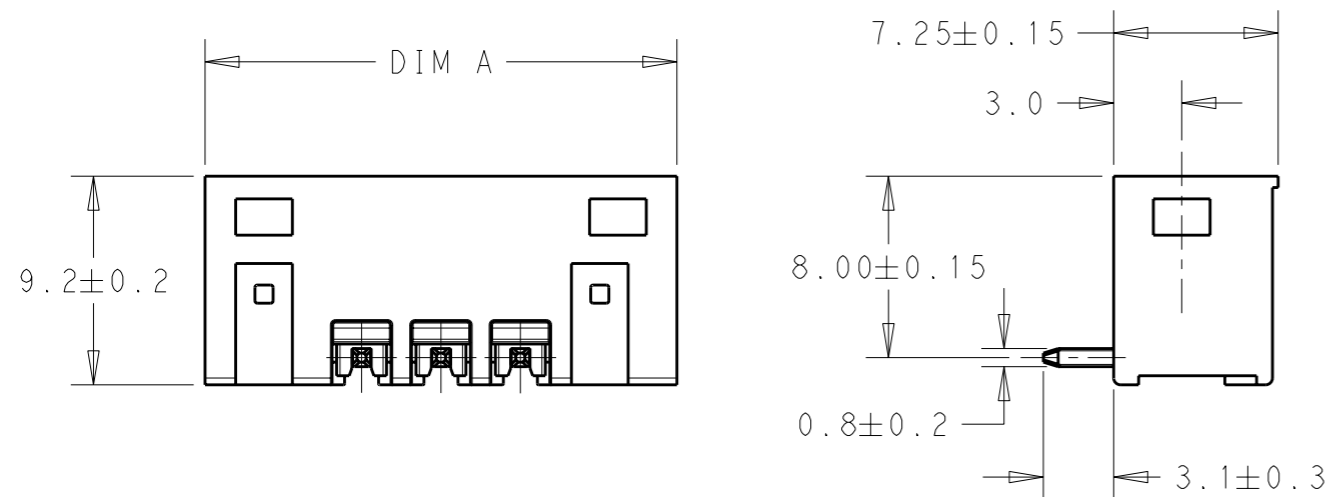
LOC	DIST	REVISIONS			
P	LTR	DESCRIPTION	DATE	DWN	APVD
-	-	01	REVISED PER ECO-09-027788	07JAN2010	SS CR



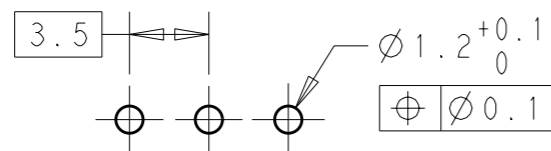
1 MATERIALS AND FINISH:
 HOUSING: HIGH TEMPERATURE POLYAMIDE, UL94V-0,
 COLOR: BLACK.
 TERMINAL: PHOSPHOR BRONZE, TIN PLATED.

2. CONNECTOR ASSEMBLY INCLUDES 2 SQUARE NUTS
 LOADED IN CAVITY.

3. UL RATING: 300V, 11A.



52.3	12	1-1776136-2
48.8	11	1-1776136-1
45.3	10	1-1776136-0
41.8	9	1776136-9
38.3	8	1776136-8
34.8	7	1776136-7
31.3	6	1776136-6
27.8	5	1776136-5
24.3	4	1776136-4
20.8	3	1776136-3
17.3	2	1776136-2
DIM A	NO OF POS.	PART NUMBER



RECOMMENDED PC BOARD LAYOUT

THIS DRAWING IS A CONTROLLED DOCUMENT FOR TYCO ELECTRONICS CORPORATION IT IS SUBJECT TO CHANGE AND THE CONTROLLING ENGINEERING ORGANIZATION SHOULD BE CONTACTED FOR THE LATEST REVISION.		DWN S. SCHLEGEL 07JAN2010	Tyco Electronics Harrisburg, PA 17105-3608	
DIMENSIONS: mm		CHK C RICHARD 07JAN2010		
TOLERANCES UNLESS OTHERWISE SPECIFIED: 0 PLC ± 1 PLC ±0.3 2 PLC ±0.25 3 PLC ± 4 PLC ± ANGLES ±2		APVD C RICHARD 07JAN2010	NAME TERMINAL BLOCK HEADER ASSEMBLY, 90 DEGREES, W THREADED FLG, 3.5mm PITCH	
MATERIAL -		PRODUCT SPEC -	SIZE A3	CAGE CODE 00779
FINISH -		APPLICATION SPEC -	DRAWING NO C-1776136	RESTRICTED TO -
1		WEIGHT -	SCALE 3:1	
1		CUSTOMER DRAWING		SHEET 1 OF 1
				REV 01