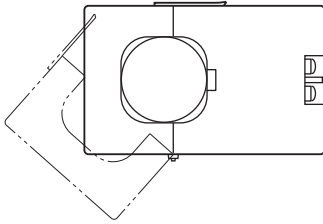


## CLAMP-ON CURRENT SENSOR

(1A output)

### Functions & Features

- Easy-to-install, spring-loaded, clamp-on type current sensor
- Over-voltage clamp element for safety in open circuit
- 1 A output
- Wide frequency band
- Up to 20 kHz harmonic contents
- Screw terminal connection



## MODEL: CLSC-[1]

### ORDERING INFORMATION

- Code number: CLSC-[1]

Specify a code from below for [1].

(e.g. CLSC-10)

### [1] INPUT

- 10: 100 A
- 25: 250 A
- 50: 500 A
- 60: 600 A

### CAUTION

Before you remove the sensor module or mount it, turn off the input signal for safety. While the line is alive, the module's cores, attracted to each other, may be hard to separate.

### RELATED PRODUCTS

AC current, watt, power factor transducers with 1 A input

- CT input module (model: R3-CT4)
- Multi power input module (model: R3-WT1)
- AC power input module (model: R3-WT4)
- AC current transducer (model: 14CE)
- AC current transducer (model: LTCE)
- CT transmitter (model: CT)
- CT transmitter (model: KCE)
- CT transmitter (model: M2CE)
- CT transmitter (model: M5CT)
- Multi power monitor (model: 53U, 54U)

### GENERAL SPECIFICATIONS

**Construction:** Clamp

**Connection:** M3 screw terminals (torque 0.3 N·m)

**Housing material:** Flame-resistant resin (black)

**Detachable number of times:** Approx. 100 times

### INPUT SPECIFICATIONS

**Max. working voltage:** 480 V AC (primary side)

**Overload capacity:** 120 % continuous, 4000 % for 1 minute

**Operational range**

CLSC-10:  $\leq 100$  A

CLSC-25:  $\leq 250$  A

CLSC-50:  $\leq 500$  A

CLSC-60:  $\leq 600$  A

### INSTALLATION

**Operating temperature:** -20 to +60°C (-4 to +140°F)

**Operating humidity:** 80 % RH max. (non-condensing)

**Mounting:** Fix with a binding strap.

**Weight:**

CLSC-10: 170 g (0.37 lbs)

CLSC-25: 175 g (0.39 lbs)

CLSC-50: 250 g (0.55 lbs)

CLSC-60: 265 g (0.58 lbs)

### PERFORMANCE

**Frequency:** 50 / 60 Hz

**Rated primary current / rated secondary current**

CLSC-10: 100 A / 1 A

CLSC-25: 250 A / 1 A

CLSC-50: 500 A / 1 A

CLSC-60: 600 A / 1 A

**Ratio error:**  $\pm 1.0$  %, 1.0 In

**Phase displacement error**

CLSC-10:  $+2 \pm 1^\circ$ , 1.0 In

CLSC-25, -50, -60:  $+1 \pm 1^\circ$ , 1.0 In

**Insulation resistance:**  $\geq 100$  M $\Omega$  with 500 V DC

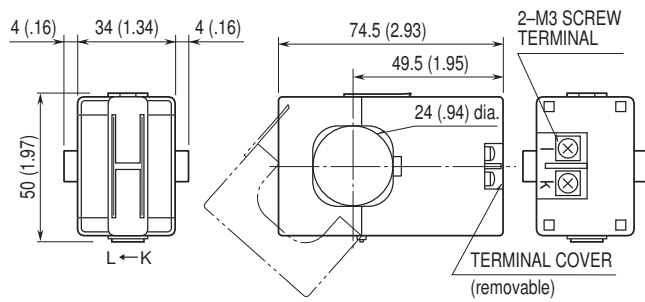
(sensor core to output)

**Dielectric strength:** 2000 V AC @ 1 minute

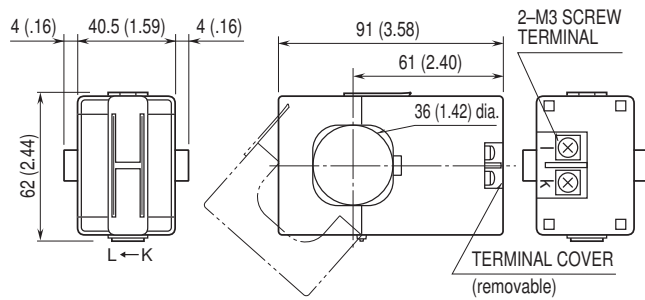
(sensor core to output)

**DIMENSIONS unit: mm (inch)**

■ Sensor model No.: CLSC-10, 25



■ Sensor model No.: CLSC-50, 60



Specifications are subject to change without notice.