

# Datamate Connectors

## Male Vertical PC Tail

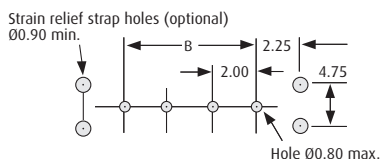
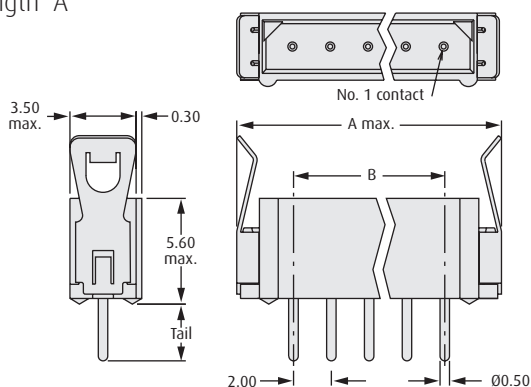
- ❖ Polarised mouldings.
- ❖ Fully shrouded contacts.
- ❖ Mates with female connectors shown on pages 18 to 20.
- ❖ For British Standard versions see pages 14 to 15.
- ❖ Can be used with Strain Relief straps: **order code M80-0030006**.

### SINGLE ROW

#### CALCULATION

<b>A</b>	$B + 5.60$
<b>B</b>	$(\text{Total No. of contacts} - 1) \times 2$

Friction lock or latch (when fitted) adds 0.5mm to overall length 'A'



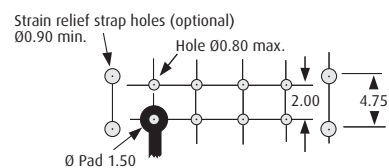
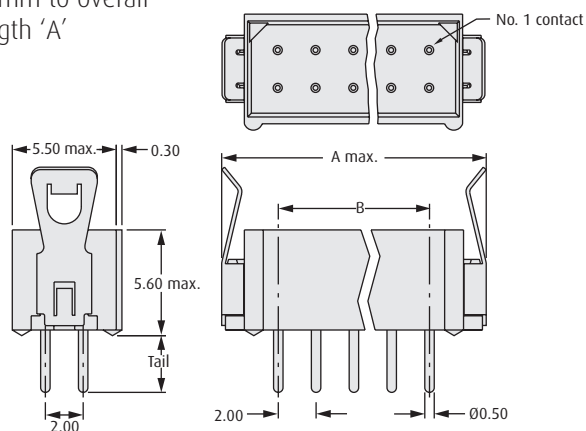
Recommended PC Board Pattern

### DOUBLE ROW

#### CALCULATION

<b>A</b>	$B + 5.60$
<b>B</b>	$\text{Total No. of contacts} - 2$

Friction lock or latch (when fitted) adds 0.5mm to overall length 'A'



Recommended PC Board Pattern

### HOW TO ORDER

## M80 - XXX XX XX

#### SERIES CODE

RoHS		Non-RoHS		
Single	Double	Single	Double	
852	854	879	869	Unlatched (3mm tail)
882	853	877	867	Latched (3mm tail)
881	863	805	815	Friction latched (3mm tail)
752	754	752	754	Unlatched (4.5mm tail)
782	753	782	753	Latched (4.5mm tail)
781	763	781	763	Friction latch (4.5mm tail)

#### FINISH

05	Gold	Pb
22	Gold + Tin/Lead	Pb
42	Gold + Tin	Pb
45	Gold	Pb

#### TOTAL NO. OF CONTACTS

Single Row	02 to 07, 17, 22
Double Row	04, 06, 08, 10, 12, 14, 16, 18, 20, 26, 34, 44

www.harwin.com

All dimensions in mm.

